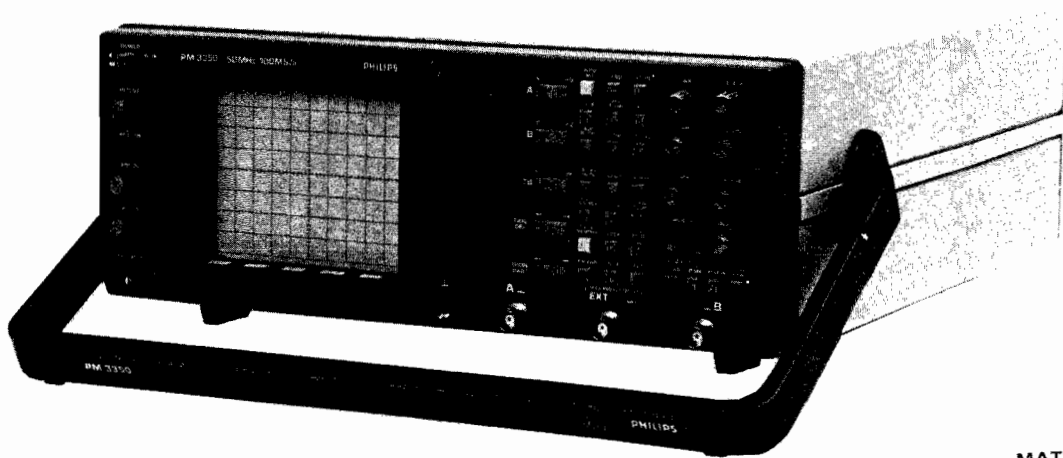


50 MHz Digital Storage Oscilloscope PM3350/PM3352

Service Manual

4822 872 05324
871204



MAT3046

WARNING : These servicing instructions are for use by qualified personnel only. To reduce the risk of electric shock do not perform any servicing other than that specified in the Operating Instructions unless you are fully qualified to do so.



PHILIPS

IMPORTANT: In correspondence concerning this instrument, please quote the type number and serial number as given on the type plate.

NOTE: The design of this instrument is subject to continuous development and improvement. Consequently, this instrument may incorporate minor changes in detail from the information contained in this manual.

CONTENTS	Page
1. SAFETY INSTRUCTIONS	1-1
1.1 Introduction	1-1
1.2 Safety precautions	1-1
1.3 Caution and warning statements	1-1
1.4 Symbols	1-1
1.5 Impaired safety-protection	1-2
1.6 General clauses	1-2
2. CHARACTERISTICS	2-1
2.1 Display	2-3
2.2 Vertical deflection or Y axis	2-3
2.3 Horizontal deflection or X axis	2-5
2.3.1 Time base	2-5
2.3.2 X-deflection	2-5
2.3.3 EXT input	2-6
2.4 Triggering	2-6
2.5 Signal acquisition	2-7
2.6 Channels A and B	2-8
2.7 Time base	2-9
2.8 Trigger	2-9
2.9 Memory	2-9
2.10 Display	2-10
2.11 Calculation facilities	2-10
2.12 Auto setting	2-10
2.13 Cursors	2-10
2.14 Power supply	2-11
2.15 Sundries	2-12
2.16 Auxiliary inputs or outputs	2-13
2.17 Environmental characteristics	2-13
2.18 Safety	2-15

3.	INTRODUCTION TO CIRCUIT DESCRIPTION AND BLOCK DIAGRAM DESCRIPTION	3-1
3.1	Introduction to circuit description	3-1
3.1.1	General	3-1
3.1.2	Explanation of signal name set-up	3-1
3.1.3	Location of electrical parts	3-12
3.2	Block diagram description	3-13
3.2.1	Introduction	3-13
3.2.2	Attenuator unit (unit A1)	3-13
3.2.3	Pre-amplifier unit and adaption unit (unit A2 and A16) .	3-20
3.2.4	Time-base unit (unit A4)	3-21
3.2.5	XYZ unit (unit A3)	3-21
3.2.6	Power supply unit	3-22
3.2.7	P ² CCD circuits and control logic (unit A17 and A18) ..	3-22
3.2.8	ADC circuit (unit A15)	3-23
3.2.9	Signal processing unit (unit A13 and A14)	3-23
3.2.10	Y-DAC and X-DAC circuits (unit A15)	3-24
3.2.11	Microprocessor system (unit A12)	3-24
4.	ATTENUATOR UNIT (A1)	4-1
4.1	Vertical attenuators	4-1
4.2	External input	4-2
5.	PRE-AMPLIFIER UNIT (A2)	5-1
5.1	Vertical pre-amplifier	5-1
5.2	TB trigger pre-amplifier	5-2
5.3	Pre-amplifier control	5-3
6.	XYZ-AMPLIFIER UNIT (A3)	6-1
6.1	Introduction	6-1
6.2	Final vertical (Y) amplifier	6-1
6.3	Final horizontal (X) amplifier	6-1
6.4	Final blanking (Z) amplifier and CRT	6-2
7.	TIME-BASE UNIT (A4)	7-1
7.1	Trigger amplifier	7-1
7.2	Timing circuit	7-2
7.3	Sweep generators	7-4
7.4	X DEFL amplifier and display mode switch	7-6
7.5	Z-amplifier	7-6
7.6	Timing diagram	7-7

8.	CRT CONTROL UNIT (A5)	8-1
9.	POWER SUPPLY UNIT (A6)	9-1
9.1	Input circuit	9-1
9.2	Converter circuit	9-1
9.3	Secondary output rectifiers	9-3
9.4	HT supply	9-3
9.5	Calibrator	9-3
10.	FRONT UNIT (A7-A8)	10-1
10.1	Key-matrix	10-1
10.2	Front controls and indicator	10-1
10.3	LCD display circuit	10-1
11.	MOTHERBOARD UNIT (A10)	11-1
12.	OPTIONS (A11)	12-1
13.	CPU UNIT (A12)	13-1
13.1	Introduction	13-1
13.2	Memory map	13-1
13.3	Circuit description	13-3
13.4	Signal name list	13-6
14.	DCL UNIT (A13)	14-1
14.1	Organisation of the memory	14-1
14.2	Introduction to the sample transports	14-1
14.3	Signal acquisition	14-2
14.4	Copying samples from acquisition memory to display memory	14-3
14.5	Displaying of trace and register	14-3
14.6	Microprocessor manipulation	14-4
14.7	Displaying of text and cursors	14-4

14.8	Clearing the display memory	14-5
14.9	Clearing the acquisition memory	14-6
14.10	Exor D307	14-6
14.11	Chip select	14-7
14.12	Dots and plotter control	14-7
14.13	Timing diagram	14-8
14.14	Signal name list	14-4
15.	ACL UNIT (A14)	15-1
15.1	Trigger control	15-1
15.2	CCD + ADC Timing	15-2
15.3	Average and interpolation circuit	15-2
15.4	Signal name list	15-3
16.	ADC DEC UNIT (A15)	16-1
16.1	ADC Circuit	16-1
16.2	Vertical DAC circuit	16-2
16.3	Horizontal DAC circuit	16-3
16.4	X POS Switch circuit	16-3
16.5	Z Control	16-3
16.6	Plot and penlift circuit	16-4
16.7	Signal name list	16-5
17.	ADAPTION UNIT (A16)	17-1
17.1	Vertical display mode switch	17-1
17.2	Real time mode amplifier	17-1
17.3	Digital memory amplifier	17-2
17.4	Signal name list	17-2

18.	MINI CCD UNIT (A17)	18-1
18.1	Introduction	18-1
18.2	Input buffer	18-2
18.3	P ² CCD - 0Q0204	18-2
18.4	Signal name list	18-4
19.	P ² CCD UNIT (A18)	19-1
19.1	ACE (advanced customised ECL)	19-1
19.2	Clock drivers	19-1
19.3	Mini CCD default circuits	19-2
19.4	P ² CCD output	19-2
19.5	Signal name list	19-3
20.	PERFORMANCE CHECK	20-1
20.1	General information	20-1
20.2	Preliminary settings	20-2
20.3	Recommended test equipment	20-2
20.4	Checking procedure	20-3
20.4.1	Power supply	20-3
20.4.2	Vertical deflection or Y-axis	20-3
20.4.3	Horizontal deflection or X-axis	20-9
20.4.4	Triggering	20-12
20.4.5	Cursors	20-14
20.4.6	Auxiliary inputs and outputs	20-15
21.	DISMANTLING THE INSTRUMENT	21-1
21.1	General information	21-1
21.2	Removing the top and bottom covers	21-1
21.3	Access to parts for the checking and adjusting procedures	21-1
22.	CHECKING AND ADJUSTING	22-1
22.1	General information	22-1
22.2	Recommended test and calibration equipment	22-5

22.3	Survey of adjusting elements	22-6
22.4	Checking and adjusting procedure	22-10
22.4.1	Preparation	22-10
22.4.2	Power supply adjustment	22-11
22.4.3	CRT display adjustment	22-11
22.4.4	Gain and LF-sq.wave response EXT and A input	22-11
22.4.5	Gain and LF-sq.wave response channel A(B)	22-12
22.4.6	Offset channel A(B)	22-12
22.4.7	Triggering	22-12
22.4.8	Time base sweep speeds	22-13
22.4.9	HF sq.wave response	22-14
22.4.10	P ² CCD-adjustment (DIGITAL mode)	22-15
22.4.11	Display section adjustments	22-16
22.4.12	Gain and offset channel A(B)	22-17
23.	CORRECTIVE MAINTENANCE	23-1
23.1	Replacements	23-1
23.1.1	Standard parts	23-1
23.1.2	Special parts	23-1
23.1.3	Transistors and integrated circuits	23-1
23.1.4	Static-sensitive components	23-1
23.1.5	Handling MOS devices	23-2
23.1.6	Soldering and desoldering of surface mounted devices ...	23-3
23.2	Removing the units and mechanical parts	23-5
23.2.1	Attenuator unit (A1)	23-5
23.2.2	Pre-amplifier unit (A2) and adaptation unit (A16)	23-5
23.2.3	XYZ-amplifier unit (A3)	23-5
23.2.4	Time-base unit (A4)	23-6
23.2.5	CRT control unit (A5)	23-6
23.2.6	Power supply unit (A6)	23-6
23.2.7	Front unit (A7) and LCD unit (A8)	23-7
23.2.8	Digital unit (A10 ... A15)	23-8
23.2.9	P ² CCD unit (A18) and mini CCD unit (A17)	23-9
23.2.10	Removing the delay-line cable	23-9
23.2.11	Replacement of CRT	23-10
23.3	Soldering techniques	23-11
23.4	Instrument repacking	23-11
23.5	Trouble shooting	23-12
23.5.1	Introduction	23-12
23.5.2	Trouble-shooting techniques	23-12
23.5.3	Power-up routine	23-13
23.5.4	I ² C structure	23-14
23.5.5	Trouble-shooting the power supply	23-15
23.5.6	p.c.b. Interconnections	23-15
23.6	Special tools	23-19
23.6.1	Trimming kit SBC 317 - 4822 310 50095	23-19
23.6.2	p.c.b. Snapper - 5322 535 91942	23-19
23.6.3	Extension board - 5322 216 51211	23-20
23.7	Recalibration after repair	23-20

24.	SAFETY INSPECTION AND TEST AFTER REPAIR AND MAINTENANCE IN THE PRIMARY CIRCUIT	24-1
24.1	General directives	24-1
24.2	Safety components	24-1
24.3	Checking the protective earth connection	24-1
24.4	Checking the insulation resistance	24-1
24.5	Checking the leakage current	24-1
24.6	Voltage test	24-1
25.	PARTS LIST	25-1
25.1	Mechanical parts	25-1
25.1.1	Mechanical parts indicated in figure 25.1	25-1
25.1.2	Mechanical parts indicated in figure 25.2	25-2
25.1.3	Mechanical parts indicated in figure 25.3	25-2
25.2	Units	25-2
25.3	Cables and connectors	25-5
25.3.1	Flatcables and connectors	25-5
25.3.2	p.c.b.-connectors (male headers)	25-6
25.3.3	50 Ohm cables and connectors	25-6
25.3.4	Miscellaneous cables	25-6
25.3.5	Miscellaneous sockets and connectors	25-6
25.4	Electrical parts	25-7
25.4.1	Capacitors	25-7
25.4.2	Resistors	25-19
25.4.3	Semi-conductors	25-40
25.4.4	Integrated circuits	25-47
25.4.5	Coils	25-49
25.5.5	Miscellaneous	25-50

LIST OF FIGURES	Page	
Figure 2.1	Dimensions	2-2
Figure 3.1	Block diagram, analog part	3-7
Figure 3.2	Block diagram, digital part	3-17
Figure 4.1	Table of attenuator settings	4-1
Figure 4.2	Attenuator unit p.c.b.	4-3
Figure 4.3	Circuit diagram of attenuator, ch.A	4-5
Figure 4.4	Circuit diagram of attenuator, ch.B	4-6
Figure 4.5	Attenuator unit p.c.b.	4-8
Figure 4.6	Circuit diagram of attenuator, EXT	4-10
Figure 5.1	The three stages of the vertical pre-amplifier	5-1
Figure 5.2	Pre-amplifier unit p.c.b.	5-5
Figure 5.3	Circuit diagram of pre-amplifier, channel switch and delay line driver	5-7
Figure 5.4	Circuit diagram of pre-amplifier, trigger switch	5-8
Figure 5.5	Pre-amplifier unit p.c.b.	5-10
Figure 5.6	Circuit diagram of pre-amplifier, logic control	5-12
Figure 6.1	XYZ amplifier p.c.b.	6-3
Figure 6.2	Circuit diagram of XYZ amplifier, final X and Y amplifiers	6-5
Figure 6.3	XYZ amplifier p.c.b.	6-6
Figure 6.4	Circuit diagram of XYZ amplifier, Z amplifier and CRT circuit	6-8
Figure 7.1	D4103 configuration	7-2
Figure 7.2	Simplified diagram of the time-base sweep generator	7-4
Figure 7.3	Free-running sweep-timing diagram	7-7
Figure 7.4	Time-base unit p.c.b.	7-9
Figure 7.5	Circuit diagram of time-base, trigger amplifier	7-11
Figure 7.6	Circuit diagram of time-base, sweep circuit and final X-amplifier	7-12
Figure 7.7	Time-base unit p.c.b.	7-14
Figure 7.8	Circuit diagram of time-base, X pre-amplifier and Z switch	7-16
Figure 8.1	Circuit diagram of CRT control	8-1
Figure 8.2	CRT control unit p.c.b.	8-1
Figure 9.1	Converter circuit	9-2
Figure 9.2	Timing diagram converter circuit	9-2
Figure 9.3	HT oscillator	9-3
Figure 9.4	Power supply unit p.c.b.	9-5
Figure 9.5	Circuit diagram of power supply	9-8
Figure 10.1	Circuit diagram of front unit, key matrix	10-3
Figure 10.2	Front unit p.c.b.	10-5
Figure 10.3	Circuit diagram of front unit, front controls and probe indication	10-7
Figure 10.4	LCD unit p.c.b.	10-8
Figure 10.5	Circuit diagram of LCD unit	10-10
Figure 11.1	Motherboard unit p.c.b.	11-1

Figure 13.1	I ² C bus structure	13-4
Figure 13.2	DTACK generator	13-5
Figure 13.3	Circuit diagram of CPU unit, part 1	13-9
Figure 13.4	CPU unit p.c.b.	13-11
Figure 13.5	Circuit diagram of CPU unit, part 2	13-13
Figure 14.1	Organisation of the memory	14-1
Figure 14.2	Display cycle controlled by SC \emptyset ...4	14-2
Figure 14.3	Block diagram of signal acquisition	14-2
Figure 14.4	Block diagram of copying samples from acquisition memory to display memory	14-3
Figure 14.5	Block diagram of trace/register display flow	14-3
Figure 14.6	Block diagram of text/cursors display flow	14-4
Figure 14.7	Block diagram of the clear function	14-5
Figure 14.8	Block diagram of the clear function	14-6
Figure 14.9	Chip select circuit	14-7
Figure 14.10	Timing diagram for D314	14-8
Figure 14.11	Circuit diagram of DCL unit, acquisition memory	14-11
Figure 14.12	DCL unit p.c.b.	14-13
Figure 14.13	Circuit diagram of DCL unit, display memory	14-15
Figure 15.1	Timing diagram of the trigger control for Tb = 5 us and PRE-TRIG = \emptyset	15-1
Figure 15.2	Timing diagram CCD and ADC timing	15-2
Figure 15.3	ACL unit p.c.b.	15-4
Figure 15.4	Circuit diagram of ACL unit, part 1	15-6
Figure 15.5	Circuit diagram of ACL unit, part 2	15-7
Figure 15.6	ACL unit p.c.b.	15-9
Figure 16.1	Waveforms on N501	16-1
Figure 16.2	Waveform on D501	16-1
Figure 16.3	Waveform on deglitch circuit	16-2
Figure 16.4	Z control for PLOT or DTJN	16-3
Figure 16.5	Z control for Z ON	16-4
Figure 16.6	Circuit diagram of ADC DAC unit, Y-DAC circuit	16-7
Figure 16.7	ADC DAC unit p.c.b.	16-9
Figure 16.8	Circuit diagram of ADC DAC unit, X-DAC and ADC circuit	16-11
Figure 16.9	ADC DAC unit p.c.b.	16-12
Figure 16.10	Circuit diagram of ADC DAC unit, part 3	16-14
Figure 17.1	Adaptation unit p.c.b.	17-3
Figure 17.2	Circuit diagram of adaptation unit, part 1	17-5
Figure 17.3	Adaptation unit p.c.b.	17-6
Figure 17.4	Circuit diagram of adaptation unit, part 2	17-8
Figure 18.1	Schematic diagram of a P ² CCD circuit	18-1
Figure 18.2	Sample and transport sequence	18-2
Figure 18.3	Output signal	18-3
Figure 18.4	Mini CCD unit p.c.b.	18-5
Figure 18.5	Circuit diagram of mini CCD unit	18-7
Figure 19.1	Principle of the sample clock drivers	19-1
Figure 19.2	CIH circuit	19-2
Figure 19.3	Analogue leakage correction	19-3
Figure 19.4	P ² CCD unit p.c.b.	19-5
Figure 19.5	Circuit diagram of P ² CCD, ACE	19-7
Figure 19.6	Circuit diagram of P ² CCD, clock drivers	19-8
Figure 19.7	P ² CCD unit p.c.b.	19-10
Figure 19.8	Circuit diagram of P ² CCD, part 3	19-12
Figure 19.9	Circuit diagram of P ² CCD, CIH circuit	19-13

Figure 20.1	SOFTSTART condition	20-2
Figure 21.1	Access to all parts for checking and adjusting	21-2
Figure 22.1	Adjusting elements	22-3
Figure 22.2	Square-wave response	22-14
Figure 22.3	Bias charge adjustments	22-15
Figure 22.4	DAC and text adjustments	22-16
Figure 23.1	Arrangement of working area for S.M.D. exchange and MOS device	23-2
Figure 23.2	Six clamping lips for XYZ-amplifier unit	23-6
Figure 23.3	Power supply unit outside the instrument	23-7
Figure 23.4	Measuring the front unit working condition	23-8
Figure 23.5	Measuring the digital unit in working condition	23-9
Figure 23.6	Removing the CRT	23-10
Figure 23.7	I ² C structure	23-14
Figure 23.8	p.c.b. Interconnections	23-17
Figure 23.9	Trimming tool kit	23-19
Figure 23.10	p.c.b. Snapper	23-19
Figure 25.1	Exploded view	25-2
Figure 25.2	Rear view	25-3
Figure 25.3	Inside view showing the parts in the CRT compartment	25-3
Figure 25.4	View of the units	25-3

1. SAFETY INSTRUCTIONS

Read these pages carefully before installation and use of the instrument.

1.1 INTRODUCTION

The following clauses contain information, cautions and warnings which must be followed to ensure safe operation and to retain the instrument in a safe condition.

Adjustment, maintenance and repair of the instrument shall be carried out only by qualified personnel.

1.2 SAFETY PRECAUTIONS

For the correct and safe use of this instrument it is essential that both operating and servicing personnel follow generally-accepted safety procedures in addition to the safety precautions specified in this manual.

Specific warning and caution statements, where they apply, will be found throughout the manual.

Where necessary, the warning and caution statements and/or symbols are marked on the apparatus.

1.3 CAUTION AND WARNING STATEMENTS

CAUTION: is used to indicate correct operating or maintenance procedures in order to prevent damage to or destruction of the equipment or other property.

WARNING: calls attention to a potential danger that requires correct procedures or practices in order to prevent personal injury.

1.4 SYMBOLS



High voltage ≥ 1000 V (red)



Live part (black/yellow)



Read the operating instructions



Protective earth (black)
(grounding) terminal

1.5 IMPAIRED SAFETY-PROTECTION

Whenever it is likely that safety-protection has been impaired, the instrument must be made inoperative and be secured against any unintended operation. The matter should then be referred to qualified technicians.

Safety protection is likely to be impaired if, for example, the instrument fails to perform the intended measurements or shows visible damage.

1.6 GENERAL CLAUSES

1.6.1 WARNING: The opening of covers or removal of parts, except those to which access can be gained by hand, is likely to expose live parts and accessible terminals which can be dangerous to live.

1.6.2 The instrument shall be disconnected from all voltage sources before it is opened.

1.6.3 Bear in mind that capacitors inside the instrument can hold their charge even if the instrument has been separated from all voltage sources.

1.6.4 WARNING: Any interruption of the protective earth conductor inside or outside the instrument, or disconnection of the protective earth terminal, is likely to make the instrument dangerous. Intentional interruption is prohibited.

1.6.5 Components which are important for the safety of the instrument may only be renewed by components obtained through your local Philips organisation. (See also section 23).

1.6.6 After repair and maintenance in the primary circuit, safety inspection and tests, as mentioned in section 23 have to be performed.

2. CHARACTERISTICS

A. Performance Characteristics

- Properties expressed in numerical values with stated tolerance are guaranteed by PHILIPS Specified non-tolerance numerical values indicate those that could be nominally expected from the mean of a range of identical instruments.
- This specification is valid after the instrument has warmed up for 30 minutes (reference temperature 23°C).
- For definitions of terms, reference is made to IEC Publication 351-1.

B. Safety Characteristics

- This apparatus has been designed and tested in accordance with Safety Class I requirements of IEC Publication 348, Safety requirements for Electronic Measuring Apparatus, UL 1244 and CSA 556B and has been supplied in a safe condition.

C. Initial Characteristics

. Overall dimensions:

- Width

Including handle	: 387	mm
Excluding handle	: 350	mm

- Length

Including handle, excl. knobs	: 518,5	mm
Excluding handle, excl. knobs	: 443,5	mm
Including handle, incl. knobs	: 530,5	mm
Excluding handle, incl. knobs	: 455,5	mm

- Height

Including feet	: 146,5	mm
Excluding feet	: 134,5	mm
Excl. under cabinet	: 132,5	mm

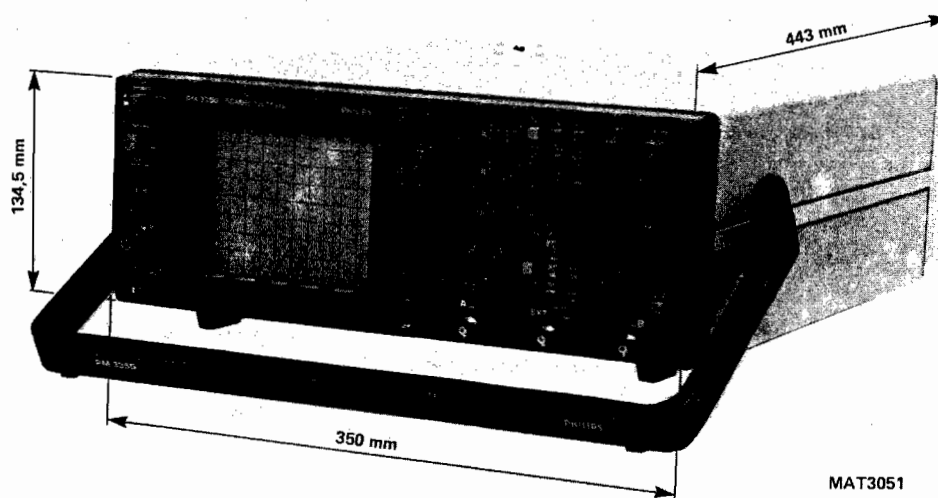


Figure 2.1 Dimensions

- * Mass : 9,5 kg
- * Operating positions:
 - a. Horizontally on bottom feet
 - b. Vertically on rear feet
 - c. On the carrying handle in two sloping positions.

D. CONTENTS

- 2.1 Display
- 2.2 Vertical deflection or Y axis
- 2.3 Horizontal deflection or X axis
- 2.4 Triggering
- 2.5 Signal acquisition
- 2.6 Channels A and B
- 2.7 Time base
- 2.8 Trigger
- 2.9 Memory
- 2.10 Display
- 2.11 Calculation facilities
- 2.12 Auto setting
- 2.13 Cursors
- 2.14 Power Supply
- 2.15 Sundries
- 2.16 Auxiliary inputs or outputs
- 2.17 Environmental characteristics
- 2.18 Safety

	CHARACTERISTICS	SPECIFICATION	ADDITIONAL INFORMATION
2.1	DISPLAY		
	* CRT		
	Type No	PHILIPS D 14-372	
	Measuring area (h x w)	80 x 100 mm	8 x 10 div. 1 div. = 10 mm 1 subdiv. (sd) = 2 mm
	* Screen type		
	Standard	GH (P 31)	
	Option	GM (P 7)	Long persistence
	* Total acceleration voltage	16 kV	
	* Illumination	Continuously variable	
	* Display time per channel in chopped mode	< 2 us	
	* LCD liquid crystal display		All relevant settings are visible in display.
	Type No	LC 9438130	
	Visible area	25,4 x 88,8 mm	
	Back lighting	Permanently on	
2.2	VERTICAL DEFLECTION OR Y AXIS		
	* Deflection coeff.	2 mV/div...10 V/div	In 1, 2, 5 sequence.
	* Variable gain control range	1 : >2,5	If PM 8936/09 is used, deflection coeff. is automatically calculated in display.
	* Error limit	< +/- 3%	Only in calibrated position.
	* Input impedance	1 M ohm +/-2%	Measured at $f_o < 1$ MHz
	Paralleled by	20 pF +/-2pF	Measured at $f_o < 1$ MHz
	Max. input voltage	400 V (d.c + a.c. peak)	
	Max. test voltages (rms)	500 V	Max. duration 60 sec.
	* Bandwidth for 20 mV up to 10 V @ 25°C	> 50 MHz	Input 6 div. sine-wave.
	Bandwidth for 2 mV, 5mV and 10 mV @ 25°C	> 35 MHz	Input 6 div. sine-wave.
	* Rise-time	7 ns or less	Calculated from 350/f-3 dB

CHARACTERISTICS	SPECIFICATION	ADDITIONAL INFORMATION
* Pulse aberration		
Overshoot, ringing and rounding	< 1,5 sd peak to peak	Input pulse 5 div., +/- 2,5 div. from screen centre, posi- tive as well as negative pulse.
Duration of ringing	20 ns	Ringling has ended when amplitude is 1/3 of starting amplitude.
Hole or bump	< 0,7 sd (peak)	
Drop or tilt	< 0,7 sd (peak)	
* Noise		
20 mV...10 V	< 0,5 sd	Measured visually. Pick-up on open BNC excluded.
* Lower - 3 dB point @ 25°C	< 10 Hz	In AC position, 6 div. sine- wave
* Dynamic range		
@ 10 MHz	> 24 div.	Vernier in cal. position.
@ 50 MHz	> 8 div.	Vernier in cal. position.
* Position range	> +/- 8 div.	Vernier in cal. position.
* Decoupling fac- tor between channels		Both channels same attenuator setting.
@ 10 MHz	1 : > 100	Input max. 8 div. sine-wave. 2,5 and 10 V are excluded.
@ 50 MHz	1 : > 50	2,5 and 10 V are excluded.
* Common Mode Rejection Ratio @ 1 MHz	1 : > 100	Both channels same attenuator setting, vernier adjusted for best CMMR; measured with max. 8 div. (+/- 4 div.) each chan- nel.
* Visible signal delay	> 15 ns	Max. intensity, measured from line start to trigger point.
* Base-line jump between attenua- tor steps	< 1 sd	
20 mV...10 V		
Additional jump between 10 mV <---> 20 mV	< 1,5 sd	
Normal Invert jump	< 1 sd	Only channel B.
ADD jump	< 0,6 div.	When A and B are positioned in screen centre (20 mV...10 V).
Variable jump	< 1 sd	Max.jump in any position of the vernier.

CHARACTERISTICS	SPECIFICATION	ADDITIONAL INFORMATION
2.3	HORIZONTAL DEFLECTION OR X AXIS	
2.3.1	Time base	
* Time coeff.	0,5 sec....50 ns	1, 2, 5 sequence (magn.off)
* Error limit	< 3%	Measured at -4...+4 div. from screen centre.
* Horizontal position range	Start of sweep and 10th div. must be shifted over screen centre	
* Variable control ratio	1 : > 2,5	
* Time Base magnifier	Expansion *10	Not valid in X-deflection.
* Error limit	< 4%	Measured at +4...- 4 div. from screen centre. Excluding first 50 ns and last 50 ns.
* Horizontal magnifier balance * 10 ---> * 1	< 2,5 sd	Shift start of sweep in * 10 in mid-screen position, then switch to * 1.
* Hold-Off Minimum to maximum hold-off time ratio	1 : > 10	Minimum hold-off time is related to time-base setting.
2.3.2	X-deflection	
* Deflection coeff. Via channel A or B Via EXT. input	2 mV...10 V/div. 100 mV/div.	1, 2, 5 sequence.
* Error limit Via channel A or B Via EXT. input	< +/- 5% < +/- 5%	
* Bandwidth Amplitude @ input signal 6 div. 2 MHz	DC ... > 2 MHz	DC coupled
* Phase shift between X and Y-deflection	< 3° @ 100 kHz	
* Dynamic range	> +/- 12 div. @ 100 kHz	

CHARACTERISTICS	SPECIFICATION	ADDITIONAL INFORMATION
2.3.3	EXT input	
* Input impedance Paralleled by	1 M ohm +/- 2% 20 pF +/- 2 pF	$f_o < 1$ MHz $f_o < 1$ MHz
* Max. input voltage Max. test voltage (rms)	400 V (d.c + a.c peak) 500 V	Max. duration 60 sec.
* Lower - 3 dB point	< 10 Hz	AC coupled
2.4	TRIGGERING	
* Trig.mode AUTO (auto free run)	Bright line in absence of trigger signal	Auto free run starts 100 ms (typ.) after no trig.pulse.
Triggered		Switches automatically to auto free run if one of the display channels is grounded.
Single		In multi-channel mode (alternated) each channel is armed after reset; if sweep has already started, sweep is not finished.
* Trigger source A, B, Composite (AB), EXT, Line		Line trigger source always triggers on main frequency. Line trigger amplitude depends on line input voltage. Approx. 6 div. @ 220 VAC input voltage.
* Trigger coupling Peak-to-peak (p-p), DC, TVL, TVF		
* Level range Peak-to-peak	Related to peak-to-peak	p-p coupling is DC rejected.
DC INTERNAL	> (+ or - 8 div.)	
DC EXTERNAL	> (+ or - 800 mV)	
TVL/TVF	Fixed level	
* Trigger slope	+/-	Slope sign in LCD and + or - if TVL/F in chosen.

CHARACTERISTICS	SPECIFICATION	ADDITIONAL INFORMATION
* Trigger sensitivity		
INTERNAL		
0 - 10 MHz	< 0,5 div.	Trig. coupling DC.
@ 50 MHz	< 1,0 div.	Trig. coupling DC.
@ 100 MHz	< 3,0 div.	Trig. coupling DC.
EXTERNAL		
0 - 10 MHz	< 50 mV	Trig. coupling DC.
@ 50 MHz	< 150 mV	Trig. coupling DC.
@ 100 MHz	500 mV	Trig. coupling DC.
TVL/F INTERNAL	< 0,7 div.	Sync. pulse.
EXTERNAL	< 70 mV	Sync. pulse.

2.5 SIGNAL ACQUISITION

* Sampling type	Real time	
@0,5 us/div...		
50 s/div.:		
* Max. Sample rate		Sampling rate depends on time/div. setting.
Real time:	100 megasamples/s	
* Vertical (voltage) Resolution	8 bits	0,4% of full range
* Horizontal (time) Resolution		
In single-channel acquisition:		
@5 ms/div...	4096 samp./ acquisition	1 Sample = 0,025% of full record
50 s/div.		
@0,5 us/div...	512 samp./ acquisition	1 Sample = 0,2% of full record
2 ms/div.		
In dual channel acquisition:		
@5 ms/div...	2048 samp./ acquisition	1 Sample = 0,05% of full record
50 s/div.		
@0,5 us/div...	512 samp./ acquisition	1 Sample = 0,2% of full record
2 ms/div.		
* Record length	10,2 x time/div.	Display in unmagnified position

CHARACTERISTICS	SPECIFICATION	ADDITIONAL INFORMATION
* Acquisition time real-time	10,2 x time/div.	
@0,5 s/div...		
5 ms/div.	30 ms...50 ms	Exclusive delay time
@2 ms/div...		
0,5 us/div.	50 ms...70 ms	Exclusive delay time
* Sources	Channel A Channel B	Channel B can be inverted before acquisition
* Acquisition Modes	1 channel only	Full memory available for 1 channel
	2 channels	Simultaneously sampled; 2 channels share memory
2.6 CHANNELS A AND B		
* Freq. Response		Z source = 25 Ohm
Lower transition point of BW:		
Input coupling in DC position	d.c.	
Input coupling in AC position	<u><</u> 10 Hz	
Upper transition point of BW: (Ambient: 15...35°C)	<u>></u> 20 MHz (-3 dB)	Deviation max 3 MHz for Ambient: 0...40°C.
* Max. Base Line Instability:		
Jump (Ambient: 15...35°C)		Add 25% for Ambient: 0...40°C
when switching to memory mode	0,3 div.	
When actuating INVertor switch	0,3 div.	
between any time/div. positions	0,5 div.	
Drift	0,1 div./h	Measured in 20 mV/div. position
Temperature coefficient	<u>+0,05</u> div./K	Measured in 20 mV/div. position

CHARACTERISTICS	SPECIFICATION	ADDITIONAL INFORMATION
2.7	TIME BASE	
	* Modes	
	Recurrent	
	Single shot	
	Multiple shot	Up to 2 shots
	Roll	Will be stopped by trigger
	* Time Coefficients:	
	In Recurrent	0,5 us/div... 0,5 s/div.
	In single shot and multiple shot	0,5 us/div... 50 s/div...
	Error Limit:	Ambient: 15...35°C
	In real-time mode	+1% Add 0,5% for Ambient: 0...40°C
2.8	TRIGGER	
	* Trigger delay:	
	Range	-10...250 div.
	Accuracy	+0,3 div.
	* Trigger level view:	Indication in LCD
	Inaccuracy	<0,5 div.
2.9	MEMORY	
	* Memory size:	
	Inaccuracy	<0,75 div.
	Registers	$\frac{2}{2}$
	Register Depth:	
	acquisition	4096 words
	register	4096
	Wordlength	8 bits
	* Functions	
	Clear	
	Load	Contents of acquisition are saved in register
	Lock	Memory system is locked. If lock is not active the signal is written into the acquisition memory.

CHARACTERISTICS	SPECIFICATION	ADDITIONAL INFORMATION
2.10	DISPLAY	
* Sources	Channel A Channel B Register A Register B	} in any combination
* Display Expansion Horizontal	1x...32x	
* Display Manipulations	Dot join	Including digital interpolation at 0,5 us/div. ... 2 ms/div.
* Display-part range Horizontal	full memory	The displayed part of the magnified memory can be chosen.
2.11	CALCULATION FACILITIES	
* Functions	Peak-to-peak value Rise or Fall time Frequency	Between cursors indicated by markers.
2.12	AUTO SETTING	
* Settling time	3 s	Auto set is effected in analogue mode.
* Cursors	off	
calculations	off	
2.13	CURSORS	
* Horizontal resolution:		
in single- channel mode	1 : 4096	
in dual- channel mode	1 : 2048	
@ 2 ms/div...	1 : 512	display in dots
0,5 us/div.	1 : 1024	display in dot-join

CHARACTERISTICS	SPECIFICATION	ADDITIONAL INFORMATION
* Vertical resolution	1 : 256	
* Read-out resolution	3 digits	
* Voltage cursors:		
Error Limit Ambient: 15...35°C	<u>+3%</u>	Referred to input at BNC, error of probes etc. excluded. Add 3% for ambient 0...40°C
Cursor Range	Displayed part of memory	Cursors cannot pass each other. (X-position is neglected)
* Time cursors		
Error Limit	<u>+0,2%</u>	

2.14 POWER SUPPLY

* Line input voltage AC		One range.
Nominal	100 - 240 V	
Limits of operation	90 - 264 V	
* Line frequency		
Nominal	50 - 400 Hz	
Limits of operation	43 - 445 Hz	
* Safety requirements within specification of :		
IEC 348 CLASS I		
UL 1244		
VDE 0411		
CSA 556 B		
* Power consumption 70 W (AC source)		At nominal source voltage

CHARACTERISTICS	SPECIFICATION	ADDITIONAL INFORMATION
2.15	SUNDRIES	
* Data and Settings retention		When instrument is switched off or during MAINS failure
Memory Back-up voltage	2...3,5 V	
Memory Back-up Current Drain	typical 25 uA	@ 25°C
Recommended batteries:		According to IEC 285, (Alkaline Manganese Penlight Battery), e.g. PHILIPS LR6 (9299 000 20734)
type	LR 6	Delivered with the instrument
quantity	2 pcs.	
Temperature rise of batteries	20 K	After warming-up period of instrument
Retention Time	Typical 5 years	@ 25°C, with recommended (fresh) batteries
Temperature Range	0...+70°C	@ -40...0°C Settings retention is uncertain. It is advised to remove batteries from instrument when it is stored during longer period (24 h) below -30°C or above 60°C. N.B. UNDER NO CIRCUMSTANCES SHOULD BATTERIES BE LEFT IN THE INSTRUMENT @ TEMPERATURES BEYOND THE RATED RANGE OF THE BATTERY SPECIFICATIONS!
* Analogue Plot output		
Functions	Memory Dump	Register selectable
Sensitivity	1 V/Full memory <u>+3%</u>	Horizontal and vertical
Pen lift	TTL compatible	Pen-up is software selectable (0 or 1). Open collector output; max 12 V
Plot time per dot	20 ms...2000 ms	Software selectable
Plot sequence	Channel A first	In dual channel operation; With more registers starting with the lowest number.

CHARACTERISTICS	SPECIFICATION	ADDITIONAL INFORMATION
2.16 AUXILIARY INPUTS OR OUTPUTS		
* Z-MOD		TTL-compatible.
ViH	> 2,0 V	Blanks display.
ViL	< 0,8 V	Max. intensity
		Analogue control between ViH and ViL is possible.
* CAL		To calibrate drop or tilt probes.
Output voltage	1,2 V +/- 1 %	Rectangular output pulse.
Frequency	2 kHz	The output may be short-circuited to ground.
2.17 ENVIRONMENTAL CHARACTERISTICS		
<p>The environmental data mentioned in this manual are based on the results of the manufacturer's checking procedures. Details on these procedures and failure criteria are supplied on request by the PHILIPS organisation in your country, or by PHILIPS, INDUSTRIAL AND ELECTRO-ACOUSTIC SYSTEMS DIVISION, EINDHOVEN, THE NETHERLANDS.</p>		
* Meets environmental requirements of:	MIL-T-28800 C, type III, CLASS 5 Style E	
* Temperature		
Operating temp. range within specification	10° - 40°C	MIL-T-28800 C par. 3.9.2.3. tested, par. 4.5.5.1.1.
Limits of operating temperature range	0 - 50°C	Idem.
Non-operating (Storage)	- 40°C/+ 75°C	MIL-T-28800 C par. 3.9.2.3. tested, par. 4.5.5.1.1.
* Max. humidity operating non-operating	95% RH	
* Max. altitude		MIL-T-28800 C par. 3.9.3. tested, par. 4.5.5.2.
Operating	4,5 km (15000 feet)	Maximum (Operating temperature derated 3°C for each km ,for each 3000 feet, above sea level).
Non-operating (storage)	12 km (40 000 feet)	

CHARACTERISTICS	SPECIFICATION	ADDITIONAL INFORMATION
* Vibration (operating)		MIL-T-28800 C par. 3.9.4.1. tested, par. 4.5.5.3.1.
Freq. 5...15 Hz	7 min.	
Sweep Time		
Excursion (p-p)	1,5 mm	
Max Acceleration	7 m/s ² (0,7 x g)	@ 15 Hz
Freq. 15...25 Hz	3 min.	
Sweep Time		
Excursion (p-p)	1 mm	
Max Acceleration	13 m/s ² (1,3 x g)	@ 25 Hz
Freq. 25...55 Hz	5 min.	
Sweep Time		
Excursion (p-p)	0,5 mm ₂	
Max Acceleration	30 m/s ² (3 x g)	@ 55 Hz
Resonance Dwell	10 min.	@ each resonance freq. (or @ 33 Hz if no resonance was found). Excursion, 9.7.1. to 9.7.2.
* Shock (operating)		MIL-T-28800 C par. 3.9.5.1. tested, par. 4.5.5.4.1.
Number of shocks total	18	
each axis	6	(3 in each direction).
Shock Wave-form	Half sine-wave	
Duration	11 ms	11 ms
Peak Acceleration	300 m/s ² (30 x g)	
* Bench handling		Mil-T-28800 C par. 3.9.5.3. tested, par. 4.5.5.4.3.
Meets requirements of	MIL-STD-810 method 516, proced. V	
* Salt Atmosphere		MIL-T-28800C par. 3.9.8.1 tested, par. 4.5.6.2.1.
Structural parts meet requirements of	MIL-STD-810 method 509, proced. I salt solution 20%	
* EMI (Electronic Magnetic Interference)		
meets requirements of	MIL-STD-461 CLASS B	Applicable requirements of part 7 : CE03, CS01, CS02, CS06, RE02, RS03
	VDE 0871 and VDE 0875 Grenzwert-klasse B	

CHARACTERISTICS	SPECIFICATION	ADDITIONAL INFORMATION
* Magnetic Radiated Susceptibility Maximum Deflection Factor		Tested in conformity with IEC 351-1 par. 5.1.3.1. Measured with instrument in a homogeneous magnetic field (in any direction with respect to instrument) with a flux intensity (p-p value) of 1,42 mT (14,2 gauss) and of symmetrical sine-wave form with a frequency of 45...66Hz.
2.18 SAFETY		
* Meets requirements of	IEC 348 CLASS I VDE 0411 UL 1244 CSA 556 B	Except for power cord, unless shipped with Universal European power plug. Except for power cord, unless shipped with North American power plug.
* Max. X-Radiation		Measured @ 5 cm from surface of instrument for a target area of 10 cm ²
* Recovery time	15 min. 30 min. 45 min. 60 min.	-10°C —> + 25°C ambient temp. -20°C —> + 25°C ambient temp. -30°C —> + 25°C ambient temp. -40°C —> + 40°C ambient temp.

3. INTRODUCTION TO CIRCUIT DESCRIPTION AND BLOCK DIAGRAM DESCRIPTION

3.1 INTRODUCTION TO CIRCUIT DESCRIPTION

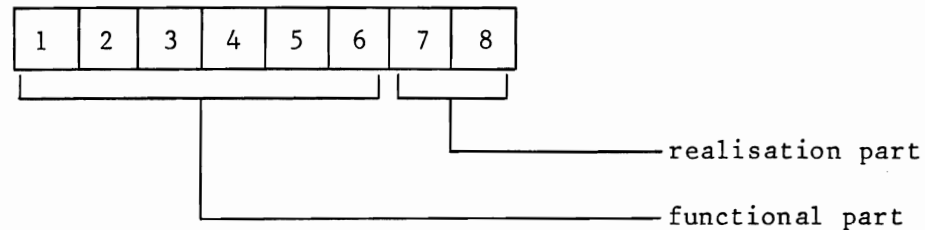
3.1.1 General

The functioning of the circuits is described per printed-circuit board (p.c.b.). For every p.c.b. a separate chapter (4-19) is available containing the lay out of the p.c.b., the associated circuit diagram(s), the circuit description and a signal name list.

3.1.2 Explanation of signal name set-up

Signal name consists of two parts:

- a functional part of maximal 6 characters
- a realisation part of 2 characters



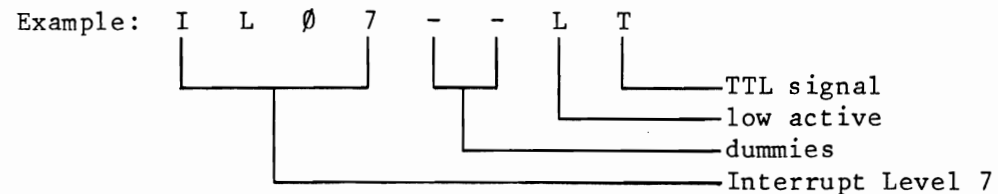
The realisation part is optional. If it is used then the functional parts should consist of 6 characters. If necessary dummies (minus sign) are used in the functional part, to make it 6 characters long.

The first character of the realisation part has the following meaning:

- H: active high signal
- L: active low signal
- X: irrelevant (e.g. counter outputs)

The second character of the realisation part is used to identify signal levels:

- A: analogue
- C: CMOS 12 V or 15 V
- D: CMOS 5 V
- E: ECL -4,5 V or -5,2 V
- T: TTL 5 V or HCT



Sometimes the functional part can also be used for a serial number e.g. to indicate a buffered version of a signal.

Example: CHPT--01

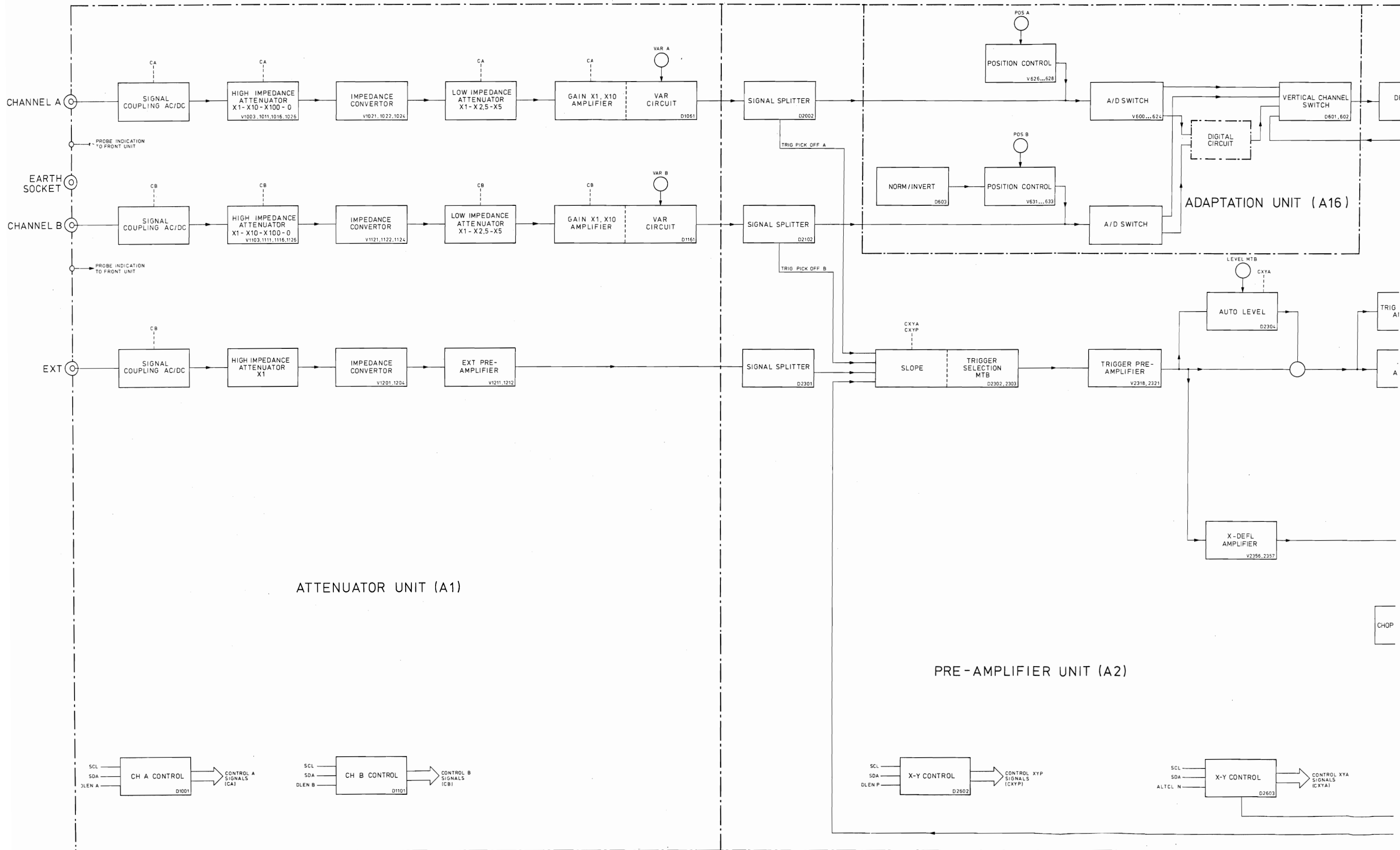
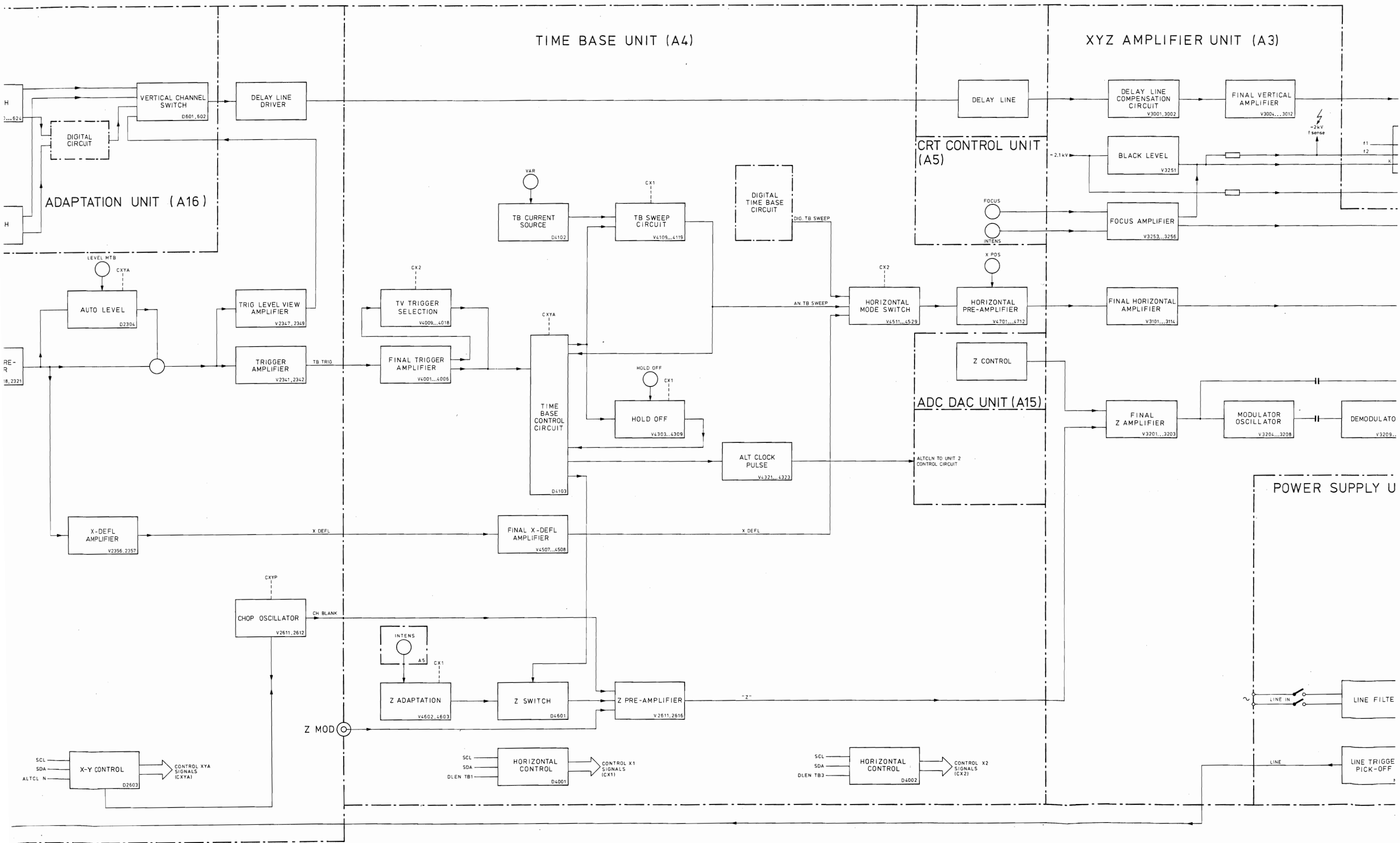
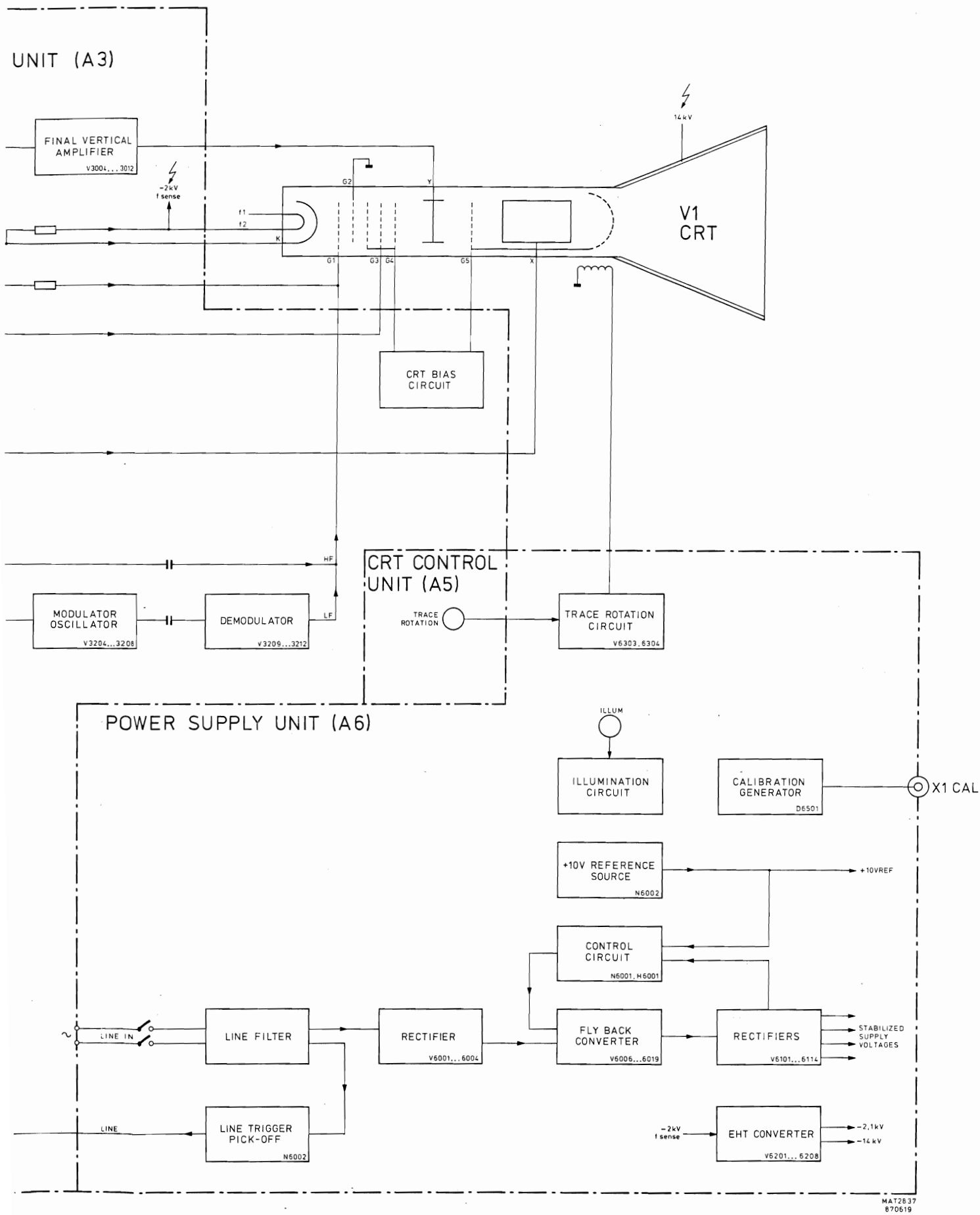


Figure 3.1 Block diagram, analog part





Signal name list:

The digital unit description in Chapters 12...19 contains a list with the signal names used in that unit given in alphabetical order. After each name, a description is given and on which unit the signal is generated.

Only if the signal is generated on the unit itself, are the other units on which the signal is used (signal destination(s)) mentioned, otherwise a minus sign is filled in. If the signal flows over more units in sequence, the path is indicated.

Some signals may have more signal sources, because the sources have open-collector output circuits, or 3-state output circuits. In this case the sources are mentioned, separated with a plus (+) sign. The unit where the signal is generated is always indicated as signal source.

A number of power supply lines and ground lines are not mentioned on the signal name lists because they appear in almost every unit.

3.1.3 Location of electrical parts

The item numbers of C...., R...., V...., N...., D.... and K.... have been divided into groups which relate to the circuit and the printed-circuit board according to the following table:

Item number	Unit no.	Printed-circuit board
1000-1999	A1	Attenuator unit
2000-2999	A2	Pre-amplifier unit
3000-3999	A3	XYZ amplifier unit
4000-4999	A4	Time base unit
5000-5999	A5	CRT control unit
6000-6999	A6	Power-supply unit
7000-7999	A7	Front unit
8000-8999	A8	LCD unit
100- 100	A11	IEEE unit
200- 299	A12	CPU unit
300- 399	A13	DCL unit
400- 499	A14	ACL unit
500- 599	A15	ADC DAC unit
600- 699	A16	Adaptation unit
700- 799	A17	Mini CCD
800- 999	A18	P ² CCD unit

3.2 BLOCK DIAGRAM DESCRIPTION (see figure 3.1 and 3.2)

3.2.1 Introduction

This block diagram description is based around all the important functional blocks and their interconnections. The interconnections between all p.c.b.'s are given in the interconnection diagram of figure 23.6. In order to assist in cross-reference with the circuit diagrams, the blocks include the item numbers of the active components they contain.

Furthermore, the blocks are grouped together per printed-circuit board, or a part of it. To facilitate reference, the names of the functional blocks are given in text in CAPITALS. Signal waveforms are also indicated at block interconnections where useful.

In this instrument almost all the switches (UP-DOWN controls, softkeys and potentiometer UNCAL switches) influence the oscilloscope circuits via a microprocessor (uP) system.

3.2.2 Attenuator unit (unit A1)

The vertical channels A and B for the signals to be displayed are identical. Each channel comprises an input SIGNAL COUPLING for AC/DC, a HIGH IMPEDANCE ATTENUATOR which gives signal attenuation of x1-x10 or x100, an IMPEDANCE CONVERTER, a LOW IMPEDANCE ATTENUATOR which gives signal attenuation of x1-x2,5 or x5 and a GAIN x1-x10 AMPLIFIER block, incorporated with the CONTINUOUS CIRCUIT. This block has a variable gain, influenced by the front-panel VAR control. The gain is also increased by x10 in order to obtain 2-5 and 10mV settings.

Similar to the vertical channels, the external channel attenuator also has an input SIGNAL COUPLING, HIGH IMPEDANCE ATTENUATOR and IMPEDANCE CONVERTER in line. However, the external channel has only x1 attenuation and no LOW IMPEDANCE ATTENUATOR. The output of the external channel is fed to both MTB and DTB EXT PRE-AMPLIFIERS.

All blocks that are capable of working in different modes are controlled by the control A or control B signals. These signals are generated by the CH.A CONTROL or CH.B CONTROL blocks.

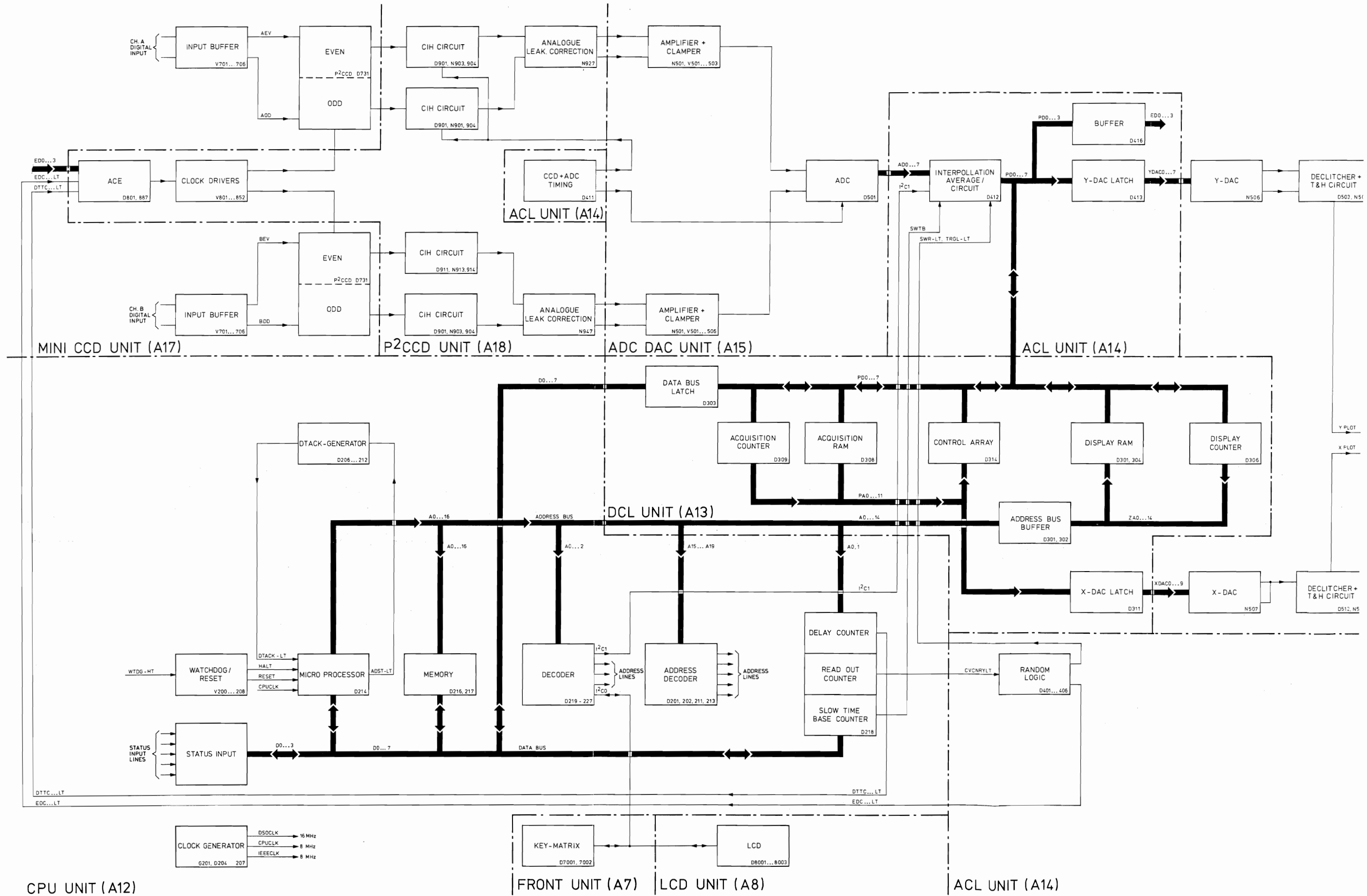


Figure 3.2 Block diagram, digital part

3.2.3 Pre-amplifier unit and adaptation unit (unit A2 and A16)

The pre-amplifier unit incorporates the signal splitters for the vertical channels A and B, the trigger level view amplifier, the trigger circuits for the time base and the chopper oscillator circuit. Next the adaptation unit is mounted as a separate p.c.b. on the pre-amplifier unit. All these functions are controlled by the control XYP and XYA signals, generated by the X-Y CONTROL blocks.

* Vertical channels A and B:

Both channels are completely identical and receive their input signals from the ATTENUATOR UNIT. This signal is applied to the SIGNAL SPLITTER, which has two outputs:

- one output is applied to the SLOPE/TRIGGER SELECTION for the time base triggering.
- A second output is routed to the adaptation unit.

On the adaptation unit, vertical shift of the displayed signal is achieved by the front-panel POSITION control.

Switching between the real time path and the digital storage path is obtained in the A/D SWITCH block. The digital circuit is given in figure 3.2 and described separately.

Next, the output of the VERTICAL CHANNEL SWITCH is routed via the DELAY LINE DRIVER to the DELAY LINE.

The TRIGGER LEVEL VIEW channel enables display of the time base trigger level and can be used to determine the trigger point of the signal.

* Trigger circuit:

The SLOPE/TRIGGER SELECTION block receives a trigger signal from one of the vertical channels A or B, from the EXT SIGNAL SPLITTER or from the LINE TRIGGER PICK-OFF.

Inverting of the trigger signal is controlled by the CXYA signals INVAM and INVBM to obtain the slope function.

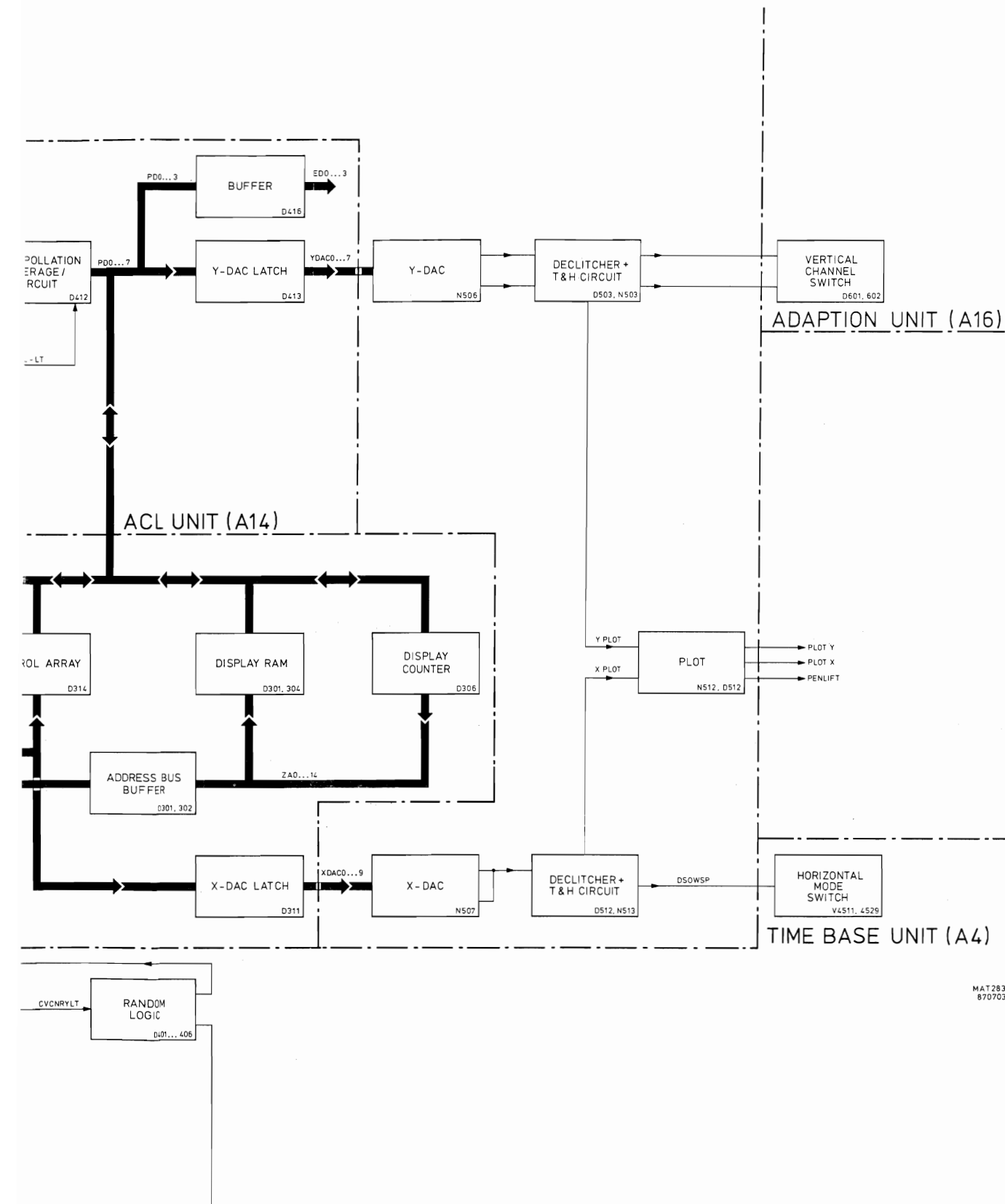
Routed via the TRIGGER PRE-AMPLIFIER, block the signal is split up into different paths:

- after summation of the LEVEL signal, direct to the TRIGGER AMPLIFIER
- to the AUTO LEVEL block. This block contains the different trigger facilities and levelling of the trigger signal is influenced by the front-panel LEVEL control. The output of this path is routed again to the summation point to influence the direct trigger signal.
- to the X-DEFL AMPLIFIER for X-deflection facility. This block incorporates a phase correction circuit for the X-Y display.

The TRIGGER AMPLIFIER feeds the trigger signal to the time-base unit. The trigger signal from the summation point is also routed via the TRIGGER LEVEL VIEW AMPLIFIER to the vertical CHANNEL SWITCH stage to display the trigger point.

* Chopper oscillator circuit:

A square-wave signal for chopper blanking and vertical switching is generated in the CHOP OSCILLATOR. For chopper blanking the signal is routed to the Z PRE-AMPLIFIER on the time-base unit.



MAT 2838
870703

ACL UNIT (A14)

3.2.4 Time-base unit (unit A4)

This unit incorporates the time-base (TB), the horizontal amplifier and the Z amplifier circuit. All functions are controlled by the CX1 and CX2 signals, generated by the HORIZONTAL CONTROL CIRCUIT blocks.

* Time-base (TB):

The trigger signal can be either directly routed to the TIME-BASE CONTROL CIRCUIT or first routed via the TV TRIGGER SELECTION for the TV trigger coupling. When in the AUTO mode, in the absence of trigger signals, the time base will be free running.

The CURRENT SOURCE applies the sawtooth charging current to the sweep circuit. This block generates the time base sawtooth signal, which is routed to the HORIZONTAL DISPLAY MODE SWITCH..

The HOLD OFF and the ALT CLOCK PULSE blocks are also under control of the TIME BASE CONTROL CIRCUIT. Hold off time is varied by the front-panel HOLD OFF control. The output of the HOLD OFF block is routed to the TIME-BASE CONTROL CIRCUIT again.

The ALTCLN-pulse is applied to the PRE-AMPLIFIER UNIT.

3.2.5 XYZ unit (unit A3)

This unit comprises the final amplifiers for the vertical (Y) and horizontal (X) deflection and for the blanking (Z) circuit. In addition to this, the CRT control circuits are also incorporated in the unit.

* Final vertical amplifier:

The output signal from the pre-amplifier unit is first routed via the DELAY LINE to give sufficient delay to ensure that the steep leading edges of fast signals are displayed and then fed to the DELAY LINE COMPENSATION. This block compensates the signal for distortion originating in the DELAY LINE before it is applied to the FINAL VERTICAL AMPLIFIER. The output of the FINAL VERTICAL AMPLIFIER feeds the vertical deflection plates of the CRT.

* Final horizontal amplifier:

The horizontal deflection signal is routed to the FINAL HORIZONTAL AMPLIFIER, the output of which feeds the horizontal deflection plates of the CRT.

* Blanking circuit:

The output signal from the Z PRE-AMPLIFIER of the time-base unit, that determines trace blanking or unblanking and modulation is routed to the FINAL Z-AMPLIFIER. After amplification the blanking signal is split into two paths:

- the h.f. signals are fed via a high voltage capacitor to grid G1 of the CRT.
- the l.f. signals are used to modulate the amplitude of an oscillator wave-form, which then passes via another high voltage capacitor and is demodulated in the DEMODULATOR block to retrieve the original signal.

Note that the original h.f. and l.f. signals are again recombined on the grid G1.

* CRT control circuits:

The FOCUS AMPLIFIER block is influenced by both front-panel FOCUS and INTENS controls to provide a focus that is independent of the intensity, and drives the focusing grid G3 of the CRT.

The -100 V BLACK LEVEL block provides the correct presetting of the cathode voltage.

The CRT BIAS gives a d.c. voltage to the grids G4 and G5 to provide an optional adjustment for geometry and astigmatism.

3.2.6 Power supply unit

The mains input voltage is filtered and then applied to the RECTIFIER block to obtain a d.c. voltage source. Another output of the LINE FILTER block is routed via the LINE TRIGGER PICK-OFF and serves as a MTB LINE trigger signal. The rectified mains source is routed to the FLYBACK CONVERTER, which generates the necessary voltages for the oscilloscope circuits. Each supply voltage is rectified in the RECTIFIERS block.

The LOW-voltage supplies are stabilized by the CONTROL circuit to the converter.

The +10 V REF supply serves as a low-voltage reference and is generated in the +10 V REFERENCE source block. This reference voltage is also fed to the different circuits on the power supply or in the oscilloscope.

The EHT CONVERTER generates the -14 kV for the post-accelerator anode of the CRT and the -2 kV for the cathode circuits.

* Auxiliary circuits:

The CALIBRATION GENERATOR generates the CAL voltage, which is applied to the output socket X1. The CAL voltage has a square-wave of 1,2 V p-p level with a frequency of 2 kHz.

The ILLUMINATION CIRCUIT determines the amount of current passed to the graticule illumination lamp of the CRT, controlled by the ILLUM control on the front-panel.

The TRACE ROTATION CIRCUIT determines the strength and sense of the current passed to the trace rotation coil around the neck of the CRT. The current is influenced by the front-panel screwdriver-operated TRACE ROT control.

3.2.7 P²CCD circuits and control logic (unit A17 and A18)

The P²CCD unit incorporates two mini CCD units (one for each channel), the P²CCD driver circuits and the P²CCD output circuits. The two mini CCD units are mounted as separate units on the main board.

The vertical channels A and B for the signals to be displayed are identical. Each channel comprises an INPUT BUFFER, P²CCD, odd and even CIH (Clamp Integrate Hold) circuit and the ANALOGUE LEAKAGE CORRECTION.

Signals derived from the A/D switch on the adaptation unit are passing the P²CCD circuits. These Profiled Peristaltic Charged Coupled Devices act as analogue shift registers which are able to store signal samples in a rhythm that depends on the selected time base speed. This rhythm is generated by the ACE (Advanced Customised ECL) and via the CLOCK DRIVERS applied to the P²CCDs. For time-base speeds which cannot be handled by the ADC any more, the P²CCD devices are used for time conversions. This means that signal samples can be sampled by the P²CCDs in a high rhythm and later converted by an ADC circuit in a lower rhythm. This lower rhythm is generated by the READ OUT COUNTER. Each channel contains a P²CCD which contains in its turn two sections of 256 signal samples.

The P²CCD is fully controlled by the ACE which delivers control signals and which also controls the CLOCK DRIVERS.

The output of the P²CCDs are applied to fast CIH circuits. These circuits are able to hold the signal information for a time that is long enough for the track-and-hold circuit to take them over. The CIH circuit is controlled by the CCD and ADC TIMING.

The ANALOGUE LEAKAGE CORRECTION corrects the signals for leakage.

3.2.8 ADC circuit (unit A15)

The signal derived from the P²CCD unit must first be clamped into the correct input signal for the ADC. This ADC converts this signal to an 8-bit digital word and is able to perform conversion with a maximum speed of 50 kHz. This conversion is controlled by the CCD+ADC TIMING.

3.2.9 Signal processing unit (unit A13 and A14)

The signal processing circuit consists of an AVERAGE AND INTERPOLATION circuit, an ACQUISITION circuit and a DISPLAY circuit. It takes data from the ADC, performs calculation on it and sends the data to the Y-DAC latch or it reads/writes the data from/to the microprocessor. The address of the data is put into the X-DAC latch.

The AVERAGE AND INTERPOLATION circuit averages the differences between the odd and even channels and calculates also 512 linear interpolated points between each of the 512 samples. The output data is transferred to the Y-DAC latch or to the memories.

During time intervals of 500 ns each, the different data transports occur in the following sequence:

- data is written in the ACQUISITION MEMORY, addressed by the ACQUISITION COUNTER.
- data is copied to the bidirectional latch in the CONTROL ARRAY.
- data is written in the DISPLAY MEMORY, addressed by the DISPLAY COUNTER.
- data is written in the Y-DAC LATCH.

Finally, during the last time interval the microprocessor is connected to the DISPLAY RAM via the DATA BUS LATCH and ADDRESS BUS BUFFER. The data from the microprocessor can influence several functions such as text, plot, dots, etc.

3.2.10 Y-DAC and X-DAC circuits (unit A15)

The Y-DAC and X-DAC convert the 8-bit data and 13-bit address information into analogue signals again. Glitches on the output of both DACs are removed by the DEGLITCHER. Next the signals are fed via a TRACK&HOLD circuit, dot-join circuit, VERTICAL CHANNEL SWITCH or HORIZONTAL MODE SWITCH to the analogue circuits.

3.2.11 Microprocessor system (unit A12)

The microprocessor system mainly consists of a powerful 68008 uP, a RAM for data and a ROM containing the system software. The microprocessor is running at a frequency of 8 MHz provided by a CLOCK GENERATOR. This generator in its turn is driven by a 16 MHz crystal oscillator.

DECODERS decode a number of addresses resulting in the various address lines that are fed to the different circuits. Also the IIC busses are decoded.

A WATCHDOG/RESET circuit detects abnormal program sequences via an output port and resets the microprocessor via the RESET and HALT lines in order to restart the program again.

The STATUS input reads the different status information of the instrument for the microprocessor.

4. ATTENUATOR UNIT (A1)

4.1 VERTICAL ATTENUATORS

The A and B channel attenuators are identical: therefore only channel A is described.

All relay and FET switches are controlled by the microcomputer via the I²C bus. The TEA 1017 converts this serial DATA into the parallel control signals for all relay or FET switches. A list of the control lines for all attenuator settings is given in the table below.

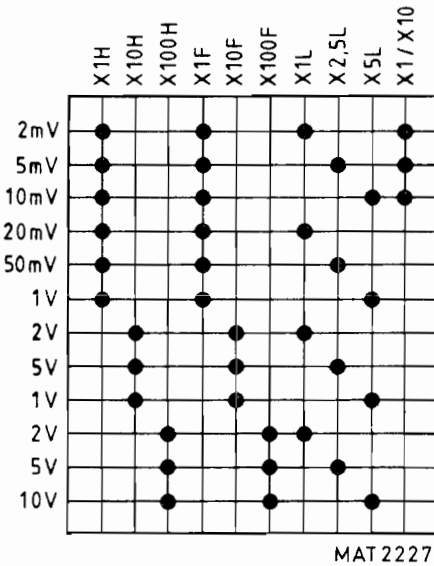


Figure 4.1 Table of attenuator settings

The channel A attenuator consists of in five stages:

Input coupling, where depending on the relay K1001 position, the input signal can either be d.c.-coupled (relay activated) or a.c.-coupled (relay not activated).

High impedance attenuator with three attenuator stages for the x1, x10 and x100 attenuation. The l.f. part of each stage is split via a resistor divider and routed via N1001 and V1019 to the output of this stage, where it is re-connected with the h.f. part of the input signal. Potentiometers R1036 (TRACE jump) serves as a offset compensation for N1001.

	RELAY	FET	TRIMMER FOR L.F. SQUARE WAVE	L.F. RESISTOR DIVIDER
x1	K1004	V1011	C1033	--
x10	K1003	V1006	C1029	R1007-R1011
x100	K1002	V1003	C1023	R1019-R1004

Note that, when "0" (GND-A) is selected, the output is connected to ground via FET V1016 and all other relay- and FET switches are switched off.

The impedance converter serves as an inverting buffer circuit for the high impedance attenuator. For the l.f.-feedback the output signal of this stage is routed to the l.f. summation point N1001-2.

The low impedance attenuator reduces the gain by x1, x2.5 and x5, depending on which relay is activated.

	RELAY	RESISTOR DIVIDER
x1	K1006	--
x2.5	K1007	R1053 vs R1056, R1057 and R1058
x5	K1008	R1053, R1056 and R1057 vs R1058

The continuous circuit (OQ0203), the differential input voltages of which are fed to pins 4 and 5.

This stage comprises the following functions:

- Continuously variable control (pin 11).
- Gain x1 (pin 2 and 3) with offset adjustment R1064 (R1164) and gain adjustment R1069 (R1169).
- Gain x10 (pin 6 and 7) with offset adjusting R1072 (R1172) and gain adjustment R1076 (R1176).
- x1/x10 control to select the 2,5 and 10 mV/DIV settings.

The differential output current from pin 13 and pin 14 is routed via a common-base circuit V1063, V1064 and applied to the pre-amplifier unit.

4.2 EXTERNAL INPUT

The external input can be subdivided into four stages:

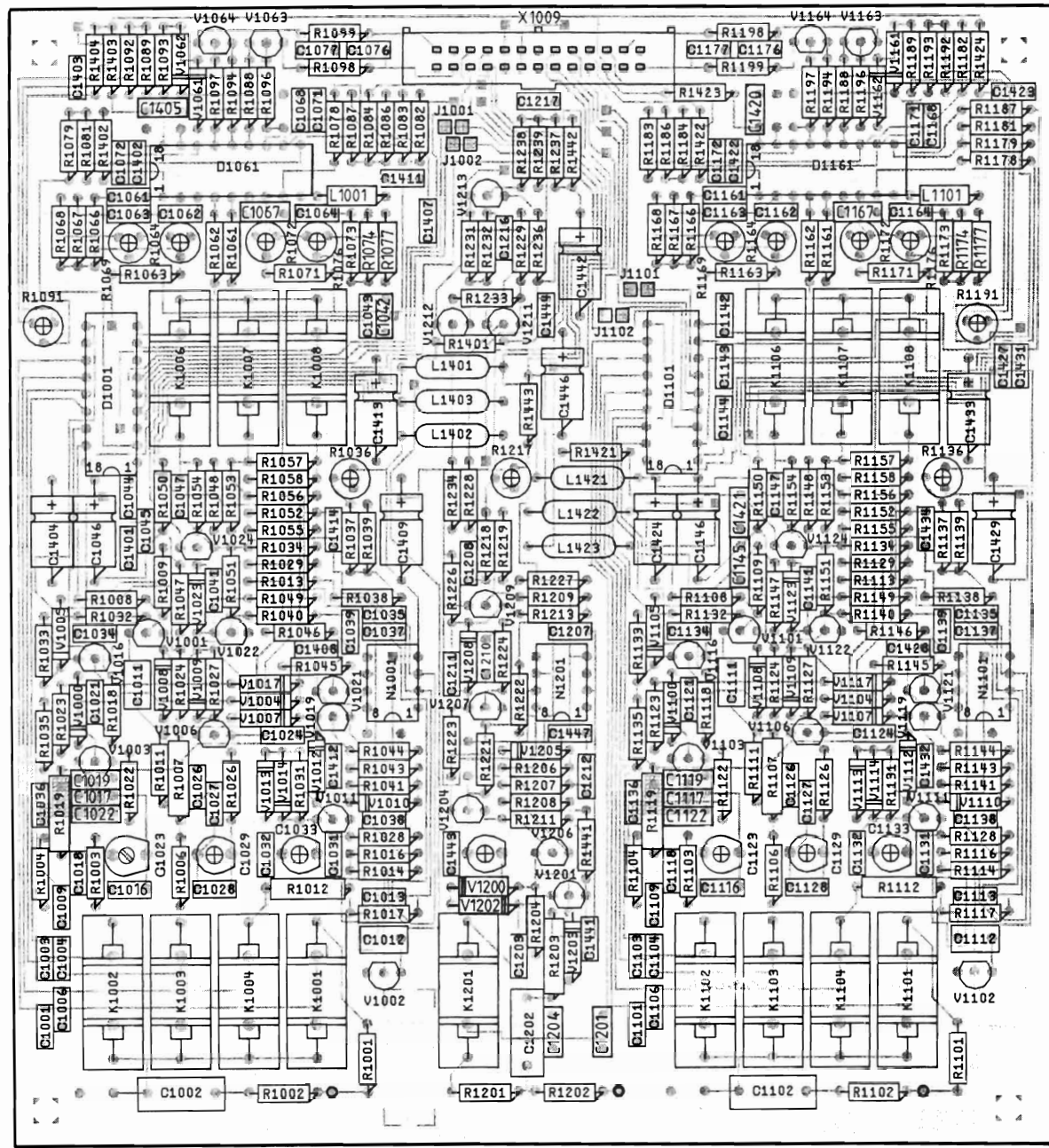
Input coupling, basically similar to the ch.A input coupling.

High impedance attenuator for the x1 attenuator only, where the l.f. square-wave can be adjusted with trimmer C1206. The l.f. part is routed to the summation point N1201-2. R1217 serves as an offset compensation for N1201. For l.f.-feedback the output of the impedance converter is also routed to this summation point.

Note that the output of this stage is also a reconstituted version of the input signal.

Impedance converter, is basic similar to the ch.A impedance converter.

The differential amplifier V1211, V1212 converts the voltage from emitter-follower V1209 into the differential current signals EXT+ and EXT-. This signal is applied to the pre-amplifier unit and serves as external trigger signal or as an external deflection signal. The current for this stage is applied from current source V1213.



MAT 3001
871016

Figure 4.2 Attenuator unit p.c.b.

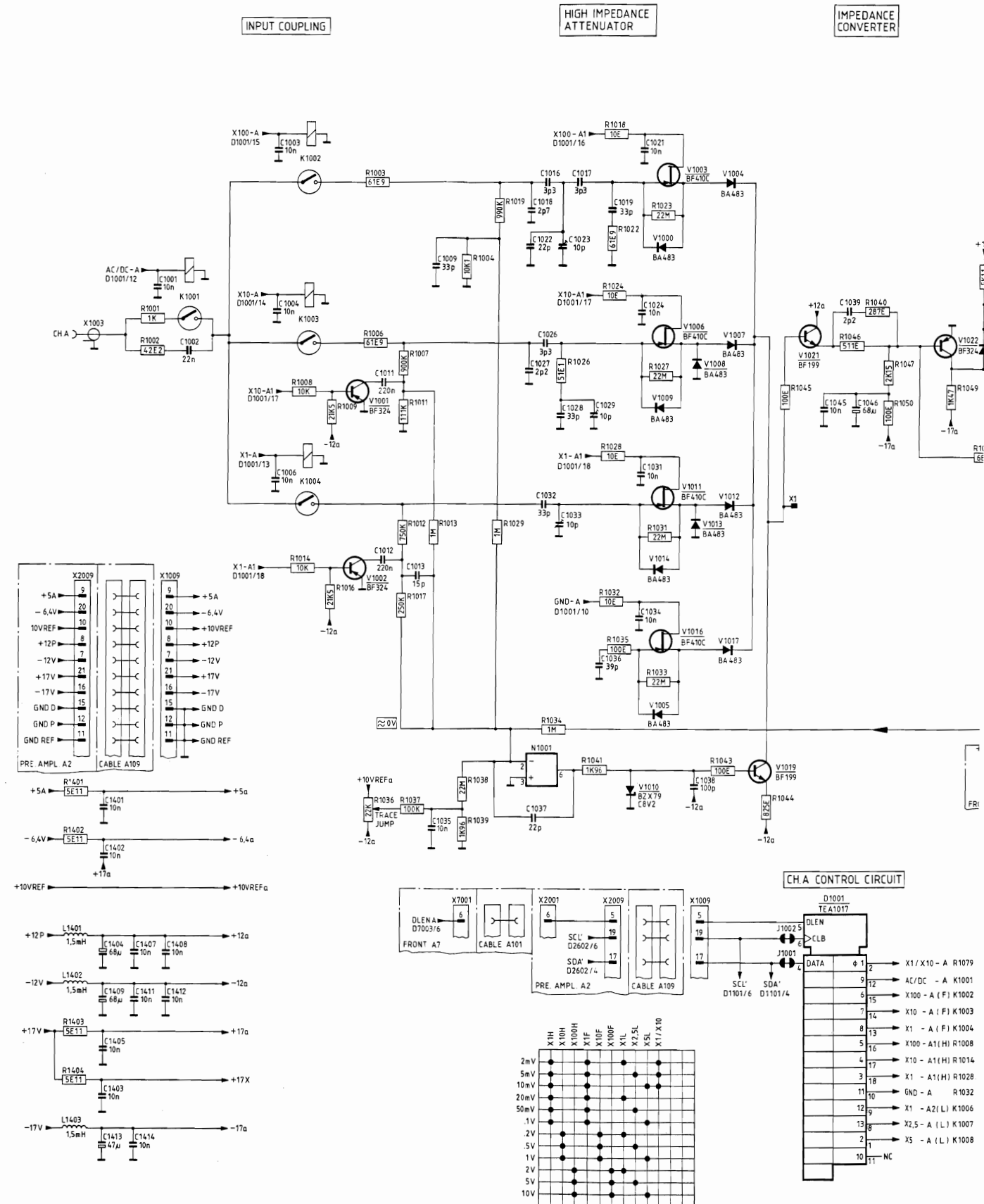


Figure 4.3 Circuit diagram of attenuator, ch.A

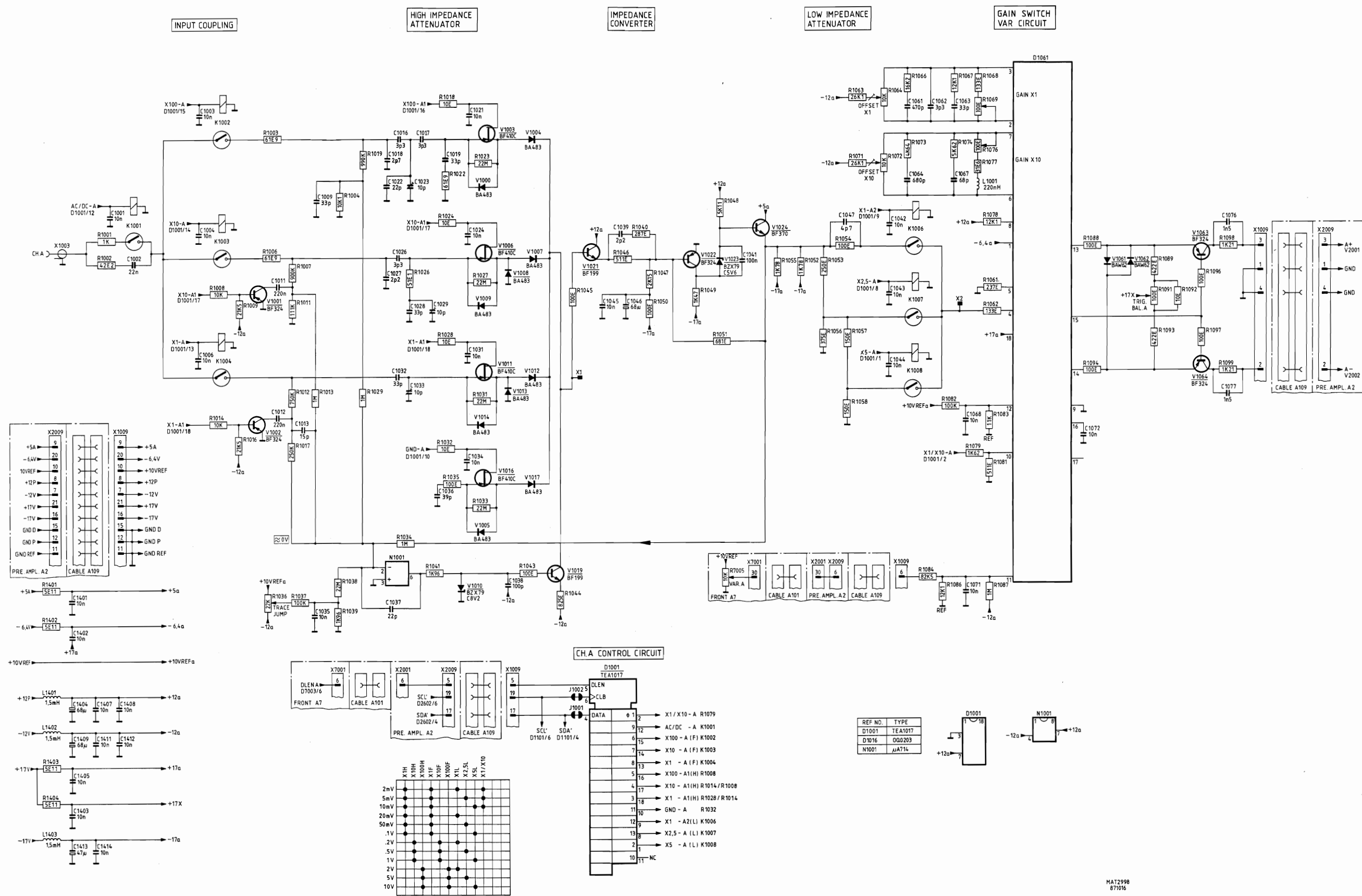


Figure 4.3 Circuit diagram of attenuator, ch.A

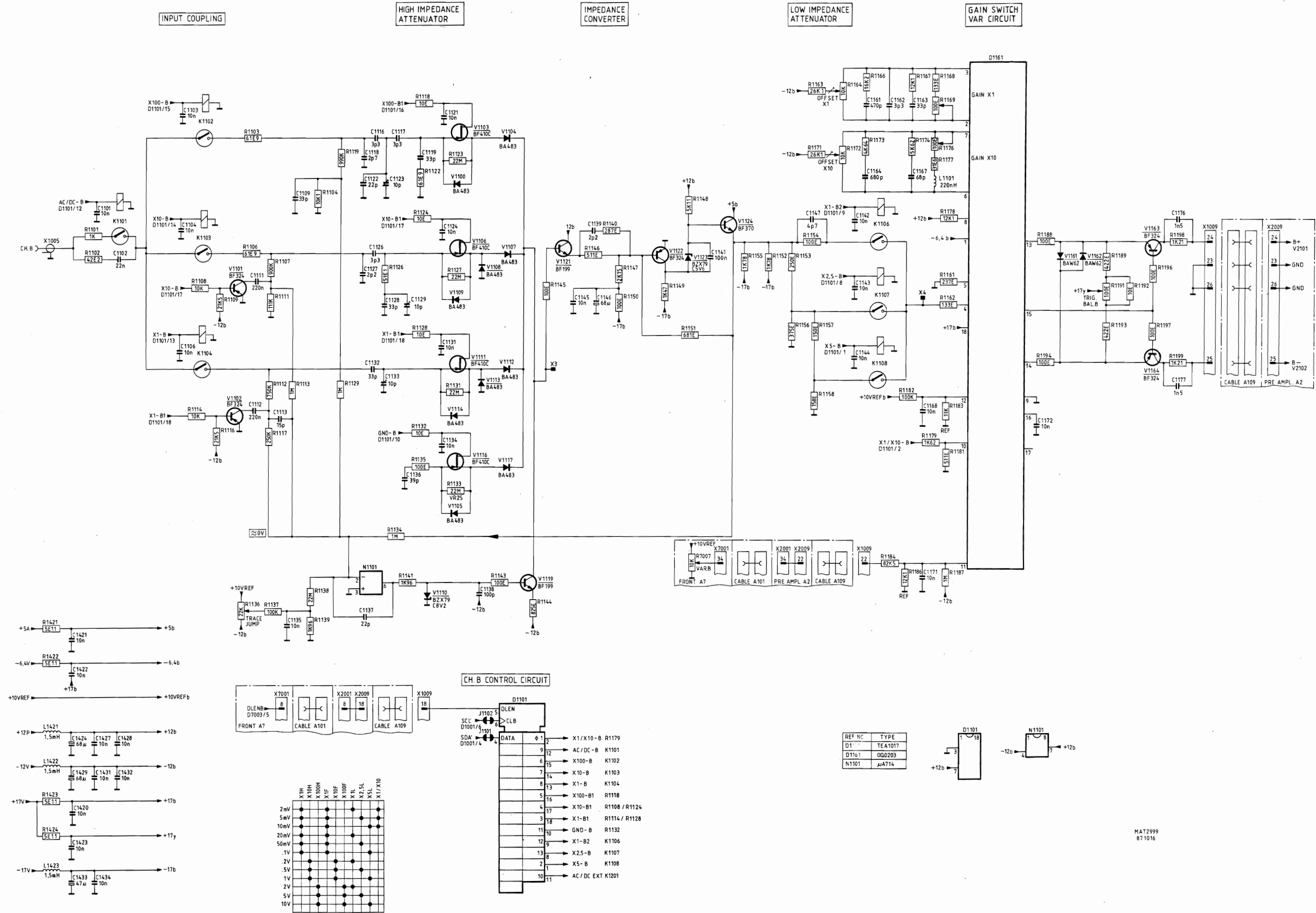
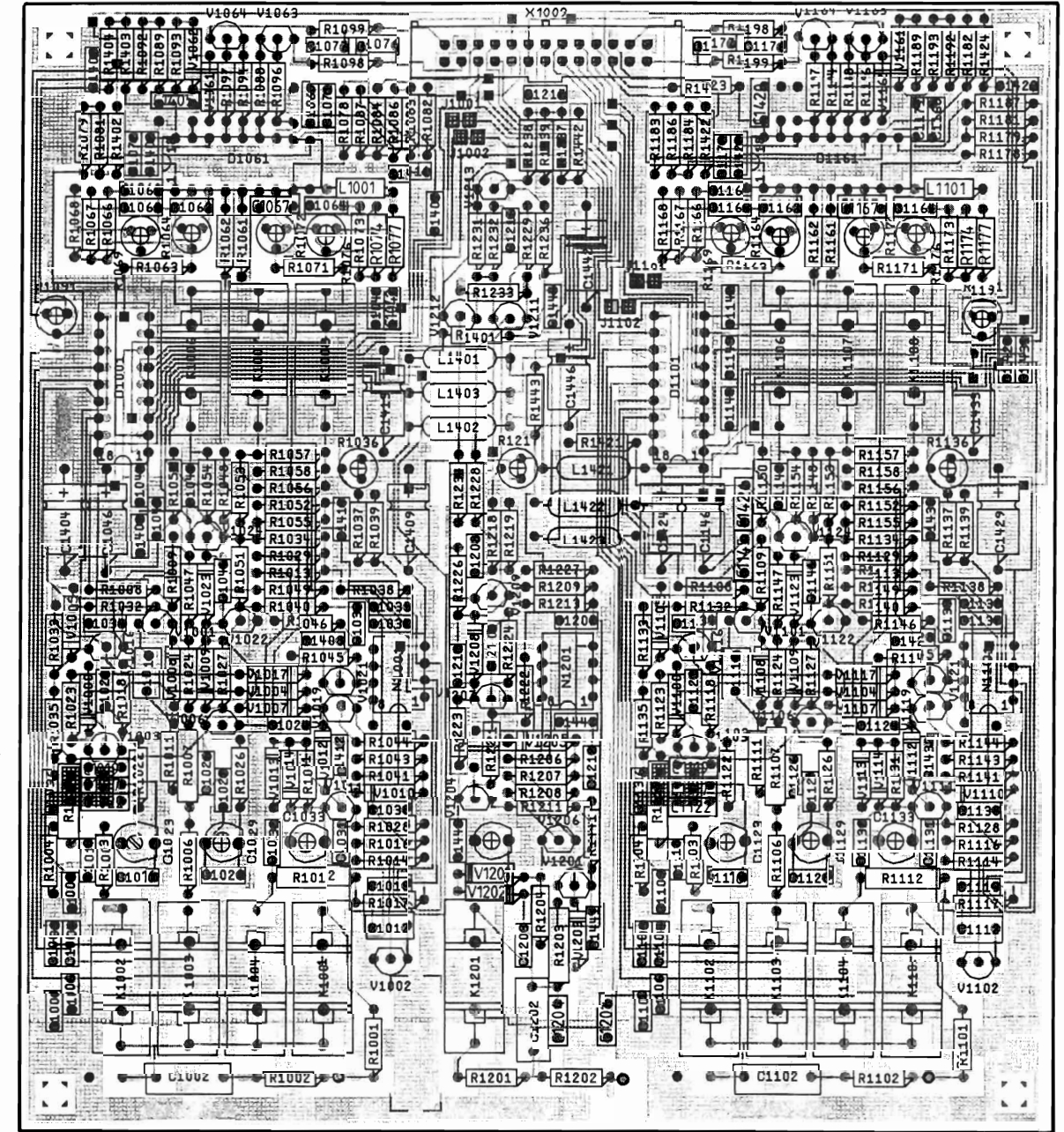
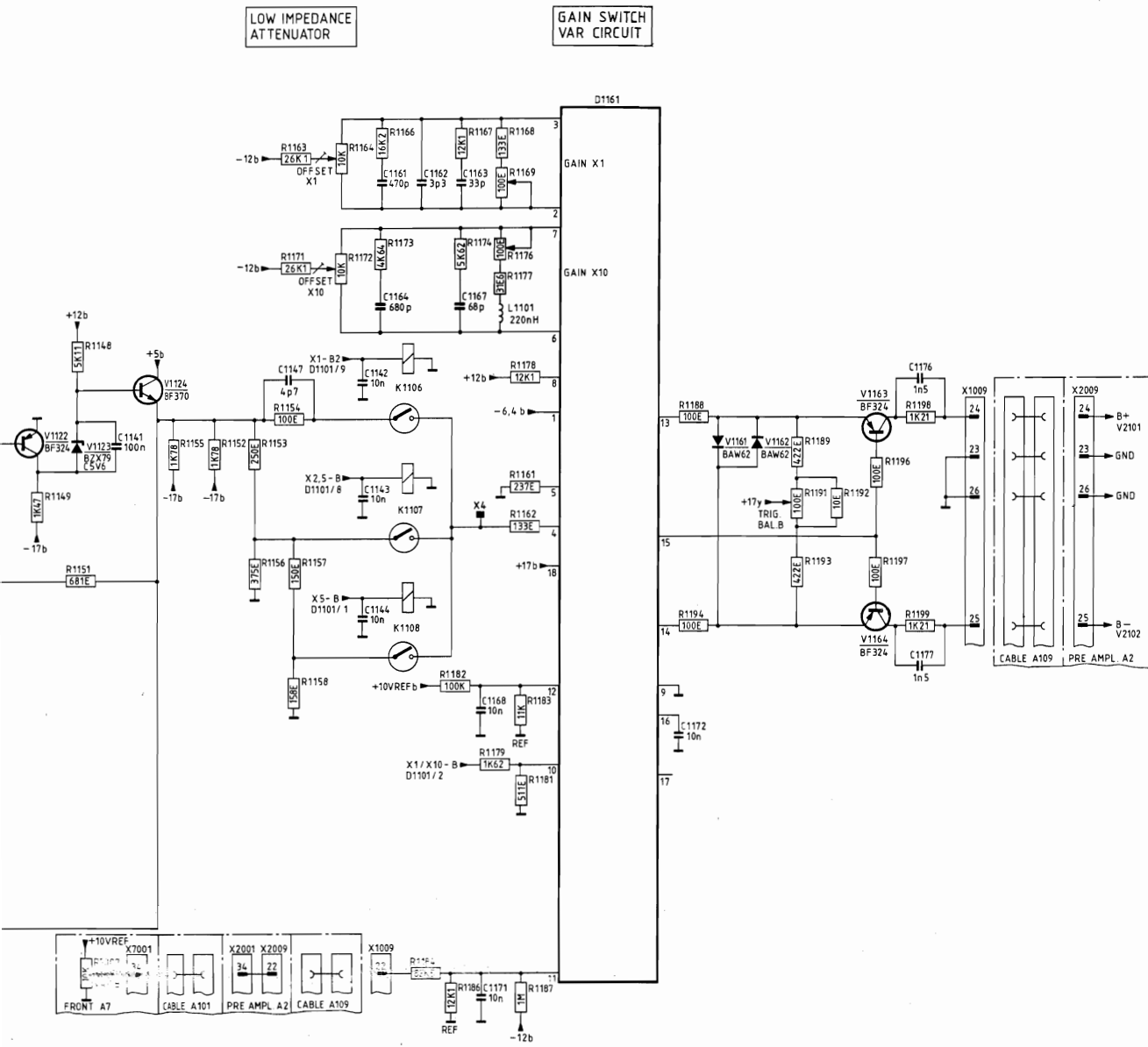


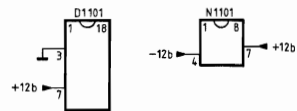
Figure 4.4 Circuit diagram of attenuator, ch.B



MAT 3001
871016

Figure 4.5 Attenuator unit p.c.b.

REF NO.	TYPE
D1101	TEA1017
D1161	DDQ209
N1101	JUA714



MAT2999
871016

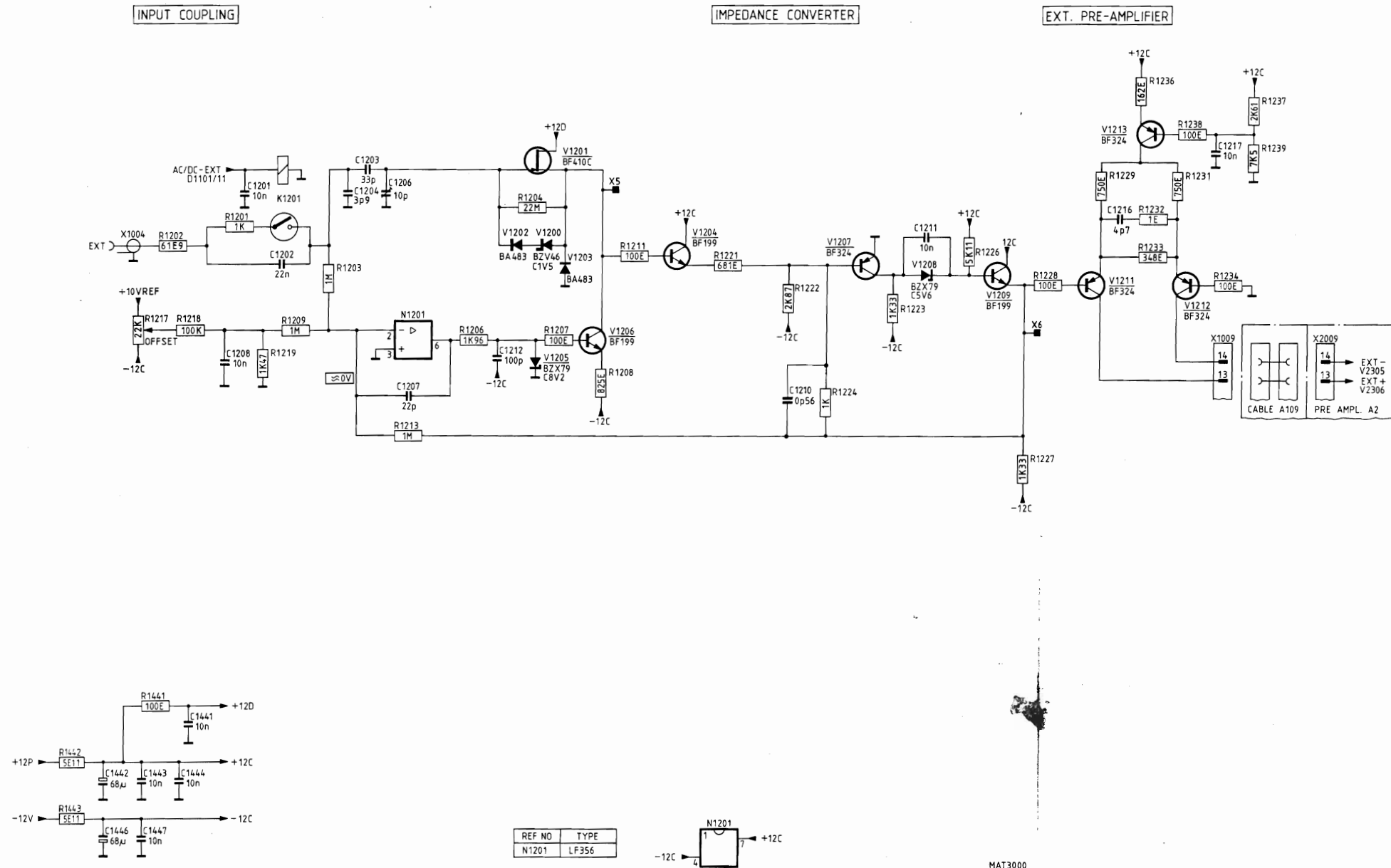


Figure 4.6 Circuit diagram of attenuator, EXT

MAT3000
871016



5. PRE-AMPLIFIER UNIT (A2)

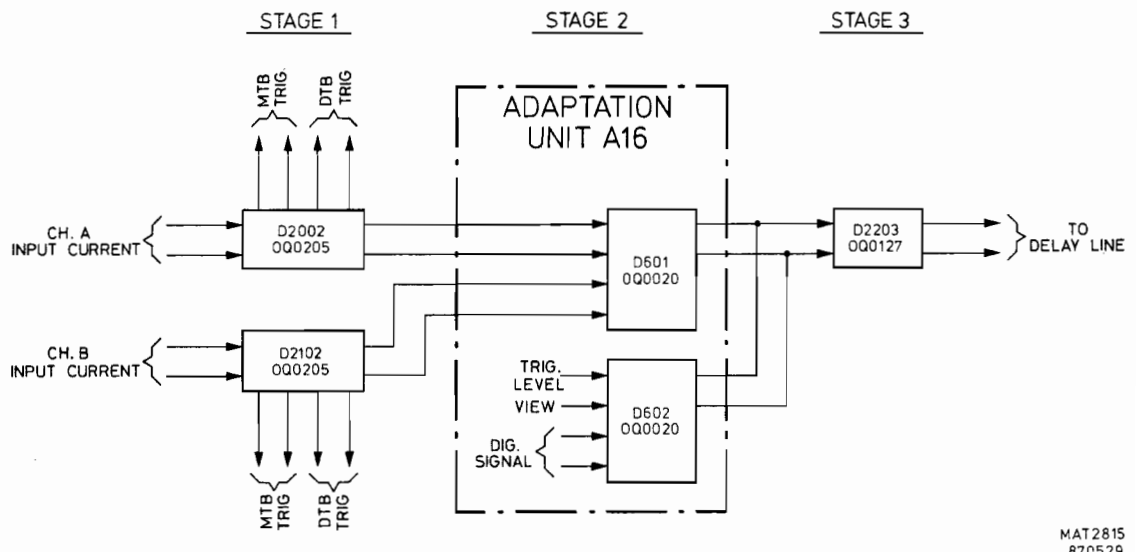
The pre-amplifier unit consists of:

- Vertical pre-amplifier
- Trigger pre-amplifier
- Pre-amplifier control, incl. CHOPPER oscillator

Next, the adaptation unit A16 is mounted on this board. This unit is described separately in chapter 17.

All control pulses for this unit are generated by the pre-amplifier control circuit, via the I²C bus (see Section 5.4).

5.1 VERTICAL PRE-AMPLIFIER



MAT2815
870529

Figure 5.1 The three stages of the vertical pre-amplifier

The vertical pre-amplifier consists of three stages.

The signal splitter (Q0205) receives its input signal for channel A (B) from the attenuator unit and copies this signal into two identical differential output current signals for:

- Vertical channel (pin 7 and 10)
- TB triggering (pin 5 and 12), see section 5.2.

The output of pin 7 and 10 is applied to the adaptation unit A16.

Stage 2 (unit A16), see the description of A16.

Stage 3 (D2203) serves as delay line driver where the output current of both OQ0020 is converted into voltage signal applied to the delay line. The current for this stage and for D2201 and D2202 is fed via R2231 and R2246.

The current regulation for the common-mode circuit is achieved by transistor D2203 (12, 13, 14).

5.2 TB TRIGGER PRE-AMPLIFIER

Trigger possibilities are:

	Signal		Selected by:		Inverted by:	
	name	routed to	name	routed to	name	routed to
ch. A	TRAM+, TRAM-	D2302(3,4)	AM	D2302(10)	INVAM	D2302(2)
ch. B	TRBM+, TRBM-	D2302(5,6)	BM	D2302(11)	INVBM	D2302(7)
EXTERNAL	EXT-, EXT+	D2303(3,4)	EXTM	D2303(10)	INVAM	D2303(2)
line	LINE	D2303(5)	LNM	D2303(11)	INVAM	D2303(7)

D2301 serves as a signal splitter and receives its input signal from the attenuator unit. This input current signal is copied into a identical differential output current signals for EXT MTB signal (pin 6 and 11)

The symmetrical output currents from D2302 (13, 14) and D2303 (13, 14) are converted into a symmetrical voltage again in the common-base circuit V2316, V2319 followed by a shunt feedback circuit V2318 and V2321. Note that the sensitivity at the collectors of V2318 and V2321 is 110 mV/DIV.

At this point the signal path is divided into:

- a trigger path, fed to both V2333 and V2334, where depending on the current to the base, levelling of the trigger signal is obtained. Two separate series feedback circuits take care of voltage-to-current conversion:

- * V2341 and V2342 for time-base triggering.

The trigger output signal, TRIGM- and TRIGM+ are fed to the time-base unit A4.

- * V2347 and V2349 for trigger level view.

This symmetrical output can be balanced by potentiometer R2407.

The TRIGV+ and TRIGV- signals are fed to the adaptation unit A16.

Integrated circuit D2304 serves as an auto level circuit. The following functions are possible.

a. Peak-peak

In this case the amplitude of the trigger signal applied to D2304 (3,7) is measured by peak-peak detectors on D2304 (2,4,6,8).

The output current from D2304 (14,15) is dependent on the peak-peak level and is adjustable with the LEVEL control R7012, connected to D2304(1).

b. Triggering

In this case the level range is 16 div. The level is adjustable with R7012 and the current variation on D2304 (14,15) can be varied between +or- 0,6mA.

c. TV triggering

The level control is made ineffective. In TV triggering, the LEVEL must be set to a fixed value. This is done by applying a high level current to pin 1 via diode V2326.

d. Auto

In auto the signal LEVEL ZERO is high and via diode V2325 the output level D2304 (15) is asymmetrical with output level D2304 (14). Thus the maximum signal amplitude is 2 V_{p-p}.

- an external deflection path, routed via the series feedback circuit V2356 and V2357, the X DEFL+ and X DEFL- signals are fed to the time base unit A2.
R2416, R2422 and C2350 gives phase correction for the X-Y display.

5.3 PRE-AMPLIFIER CONTROL

The pre-amplifier control converts the data from the I²C bus (SDA and SCL), derived from the microcomputer, into the control pulses for the pre-amplifier unit. To eliminate interference the SDA and SCL lines can be switched off via D2601.

This integrated circuit serves as a digital switch, controlled by the VERT IIC line. Logic high connects the outputs D2601(4,14,15) to the input "1" contact (switched on); logic low connects the outputs to the "2" contact (switched off) and gives SDA a logic low level and SCL a logic high level.

When D2601 is switched on, the serial data information is converted into parallel control pulses via D2602 and D2603, provided that D2602 is enabled (D2602-5 is high). The control lines are active when the level of the line is high.

Output Q12-D2602(9) serves as a power up not line for D2603: when the oscilloscope is in the power-up routine, Q12 is high and resets D2603. After the power-up routine, Q12 goes low and enables D2603.

Integrated circuit D2603 relieves the microcomputer of a number of such functions as:

- chop/alt
- trigger select
- time-base select (fed to time base unit A4)

Adaptation of this I.C. to the oscilloscope version is made by the ADO and AD1 inputs D2603(15,16).

For this oscilloscope, ADO must be HIGH and AD1 must be LOW.

Timing for alternate and chopped mode is derived by the ALTCLN and CHOPCL pulses.

The chopper oscillator formed by V2611 and V2612 supplies a square wave voltage of 1,5 V_{p-p} with a frequency of 1 MHz.

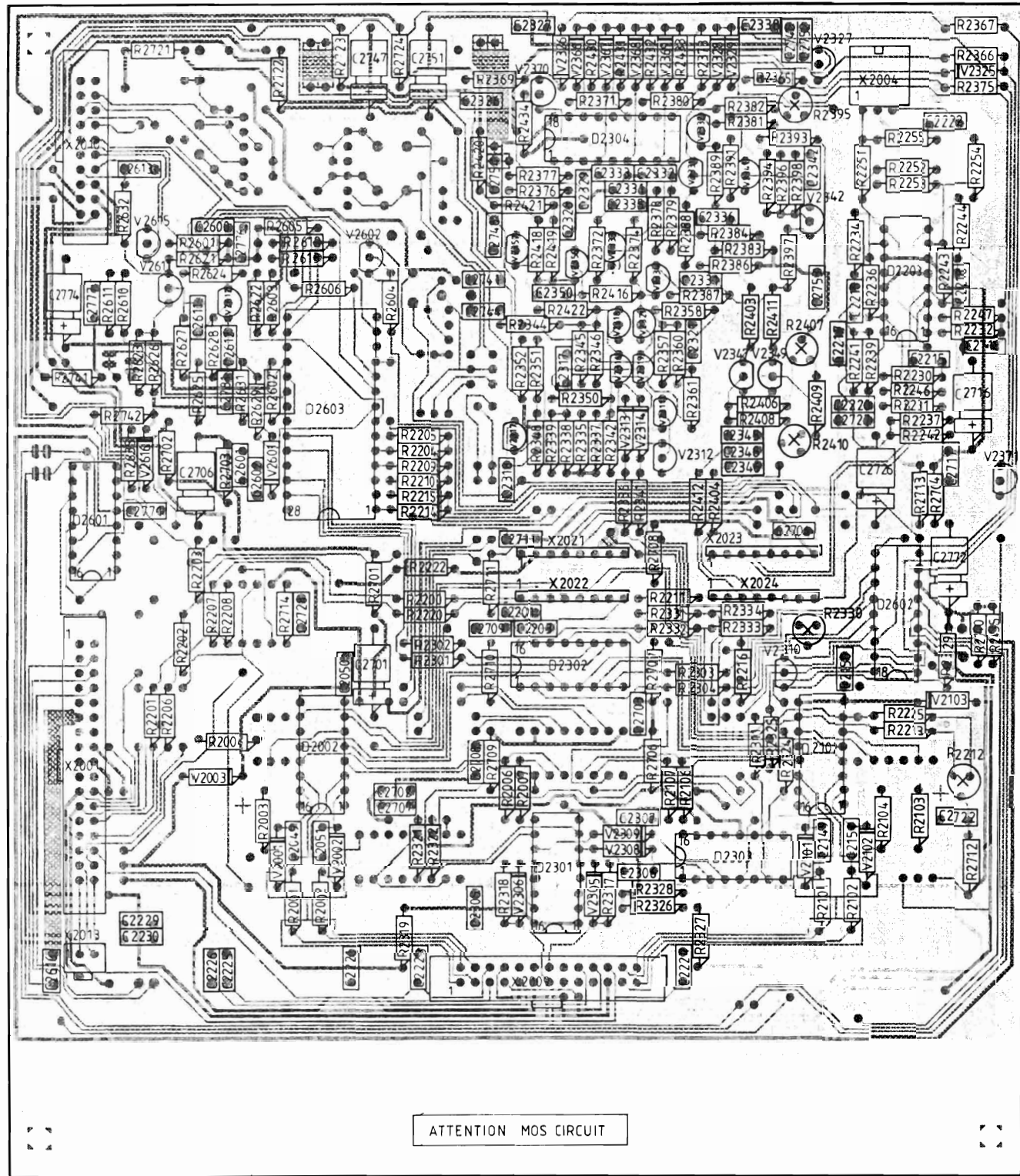
This frequency is defined by two current loops:

- I1 is determined by: V2612(c-e), C2611, R2627 and R2625.
- I2 is determined by: V2611(c-e), C2611, R2628 and R2625.

The duty cycle (I1/I1+I2) is 12% approx.

The square wave on the collector of V2612 serves as a chopper clock pulse for D2603 and gives a 500 kHz display for 2 channels CHOP, 333 kHz display for 3 channels CHOP and 250 kHz for 4 channels CHOP (A-B-TRIG VIEW-ADD).

Note that D2603(8) serves as the chopper switch, which is high when the CHOP softkey is depressed.



MAT3005
871016

Figure 5.2 Pre-amplifier unit p.c.b.

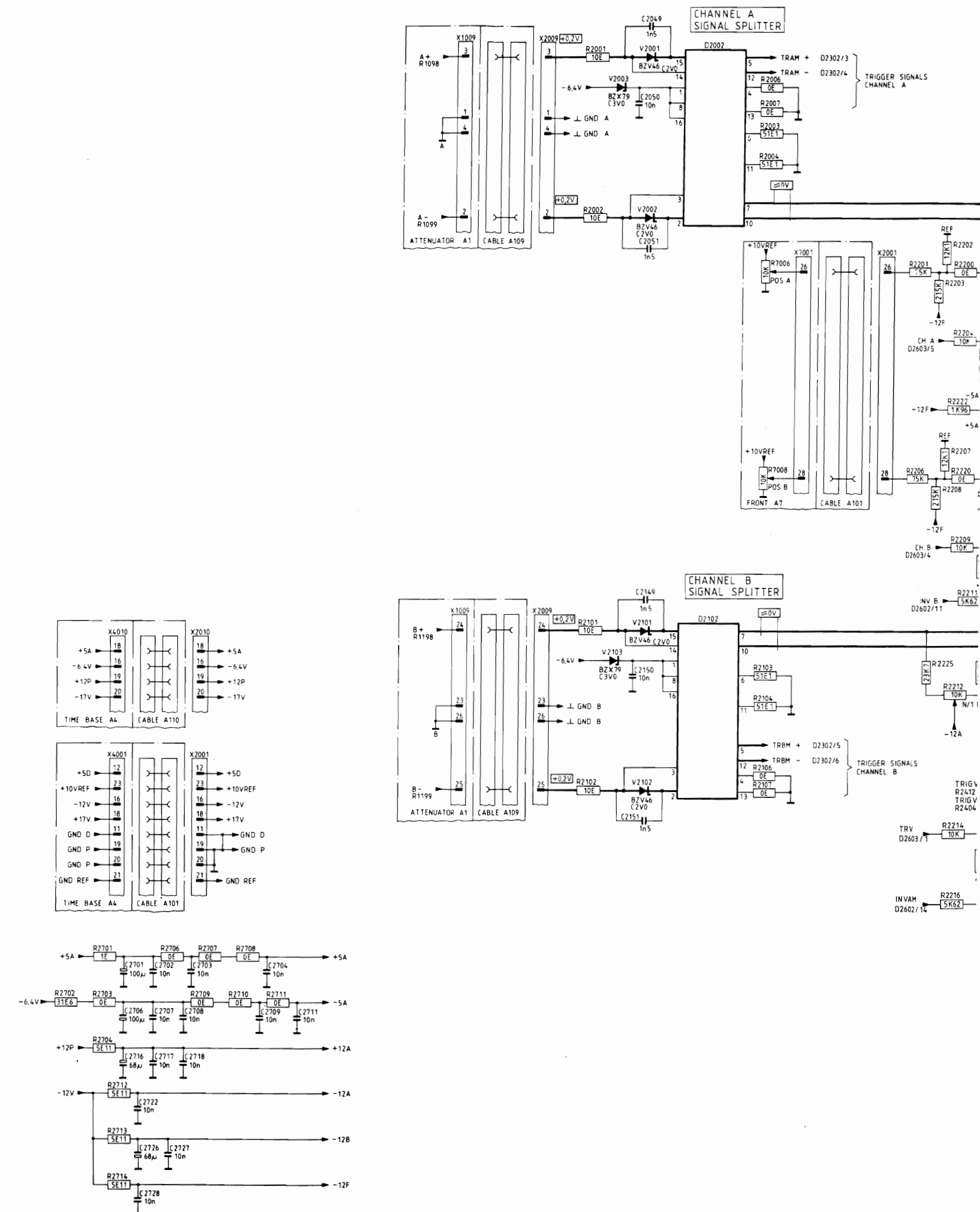


Figure 5.3 Circuit diagram of pre-amplifier, channel switch and delay line driver

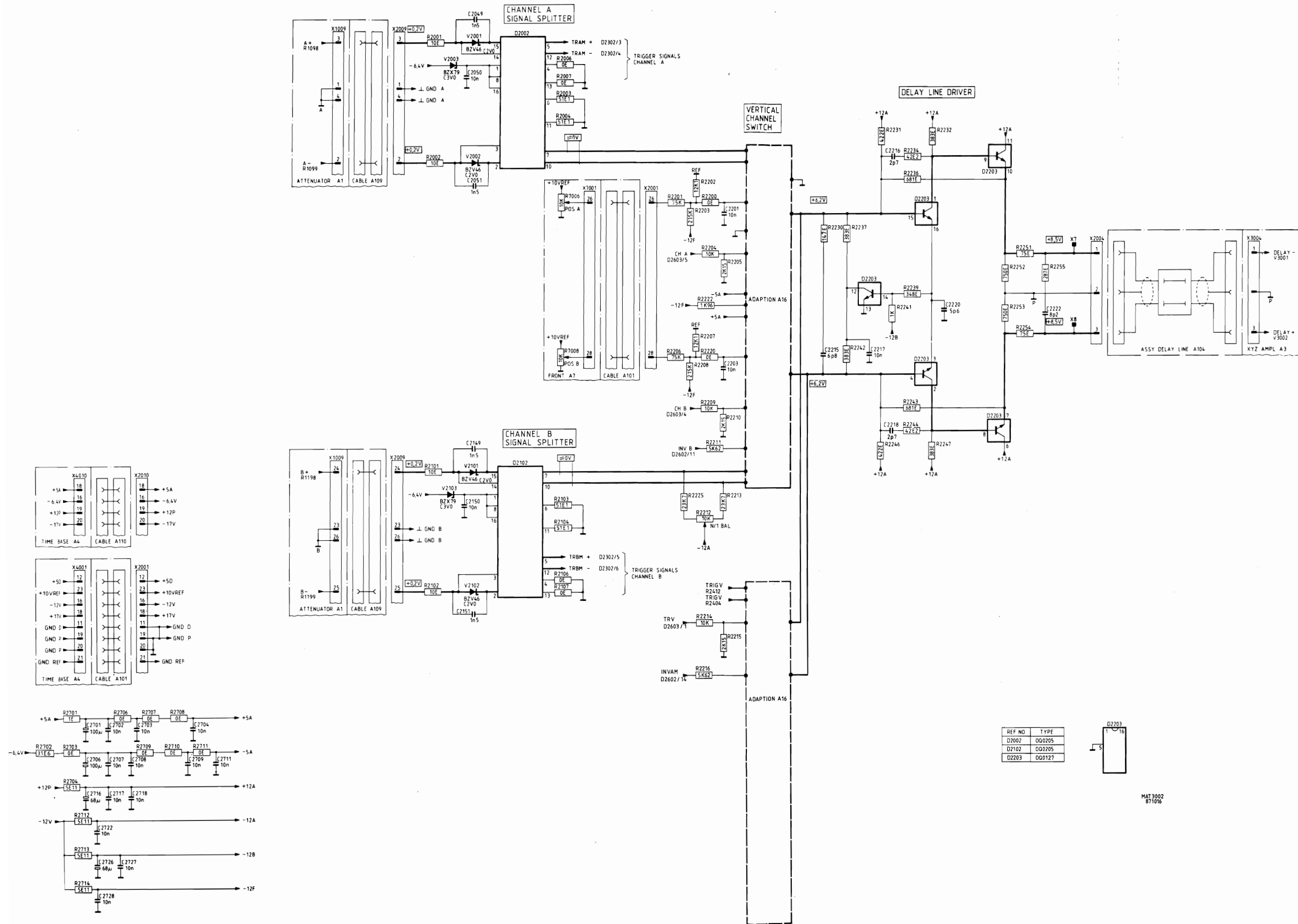
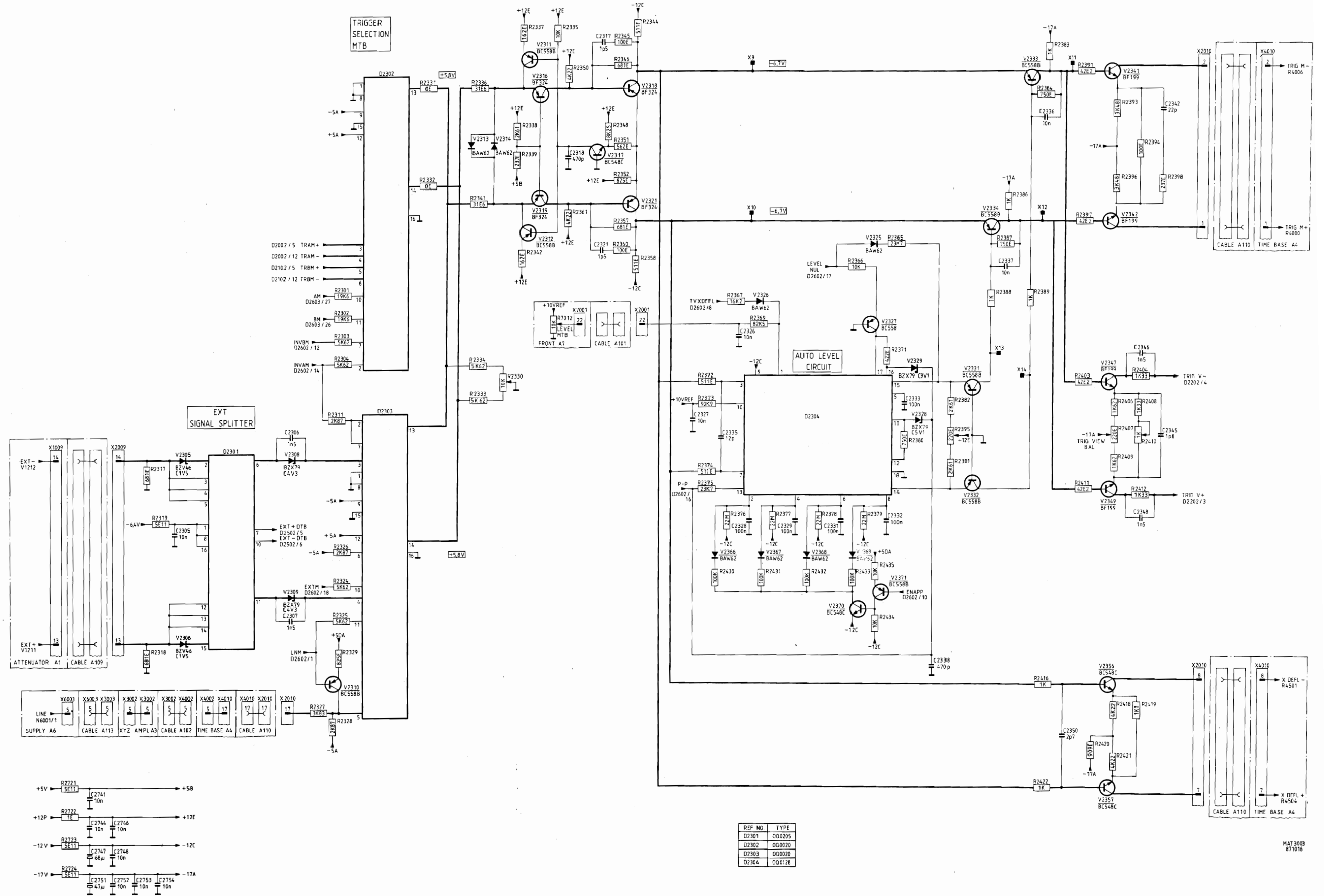


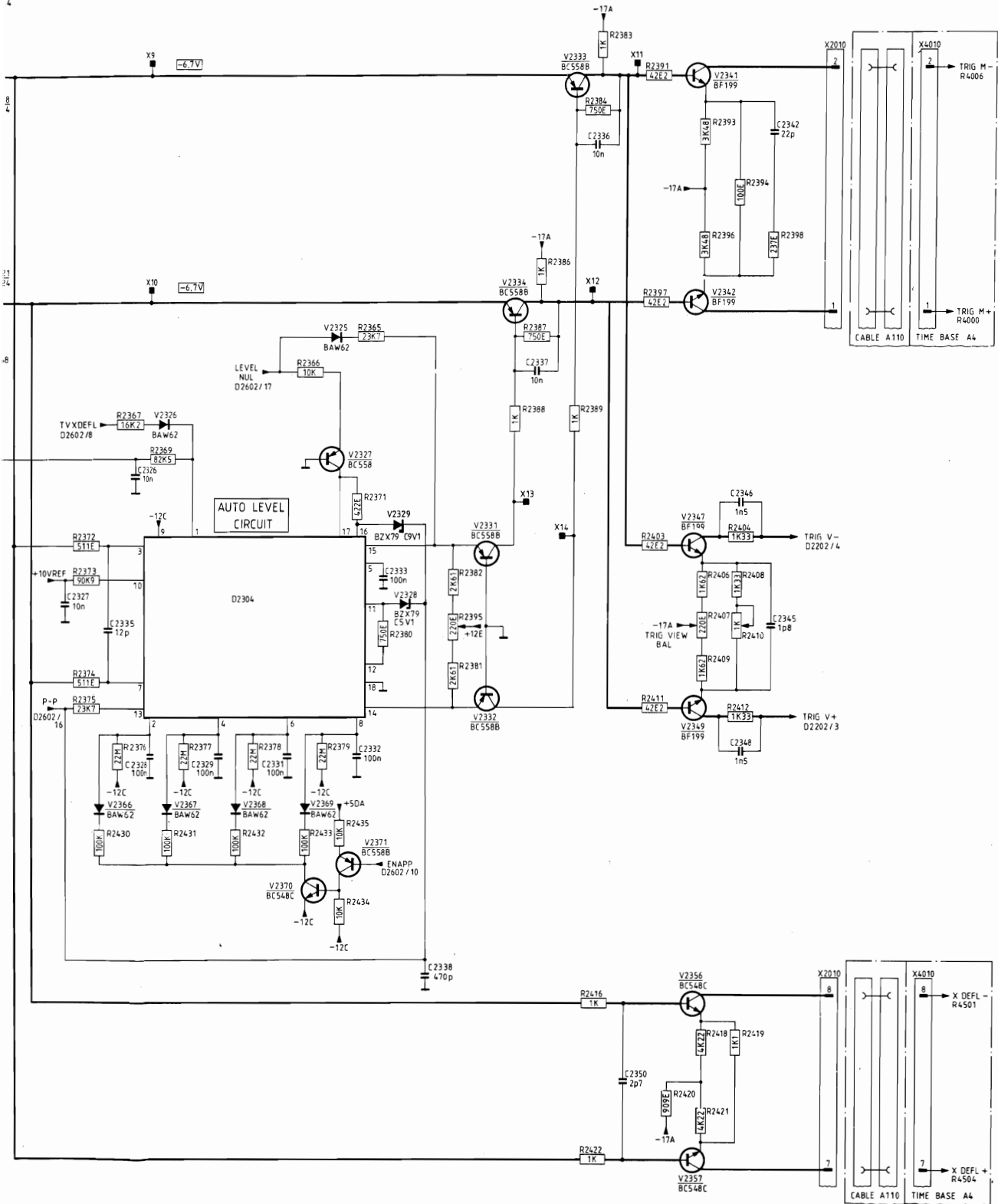
Figure 5.3 Circuit diagram of pre-amplifier, channel switch and delay line driver



REF NO.	TYPE
D2301	0G0205
D2302	0G0210
D2303	0G0210
D2304	0G0128

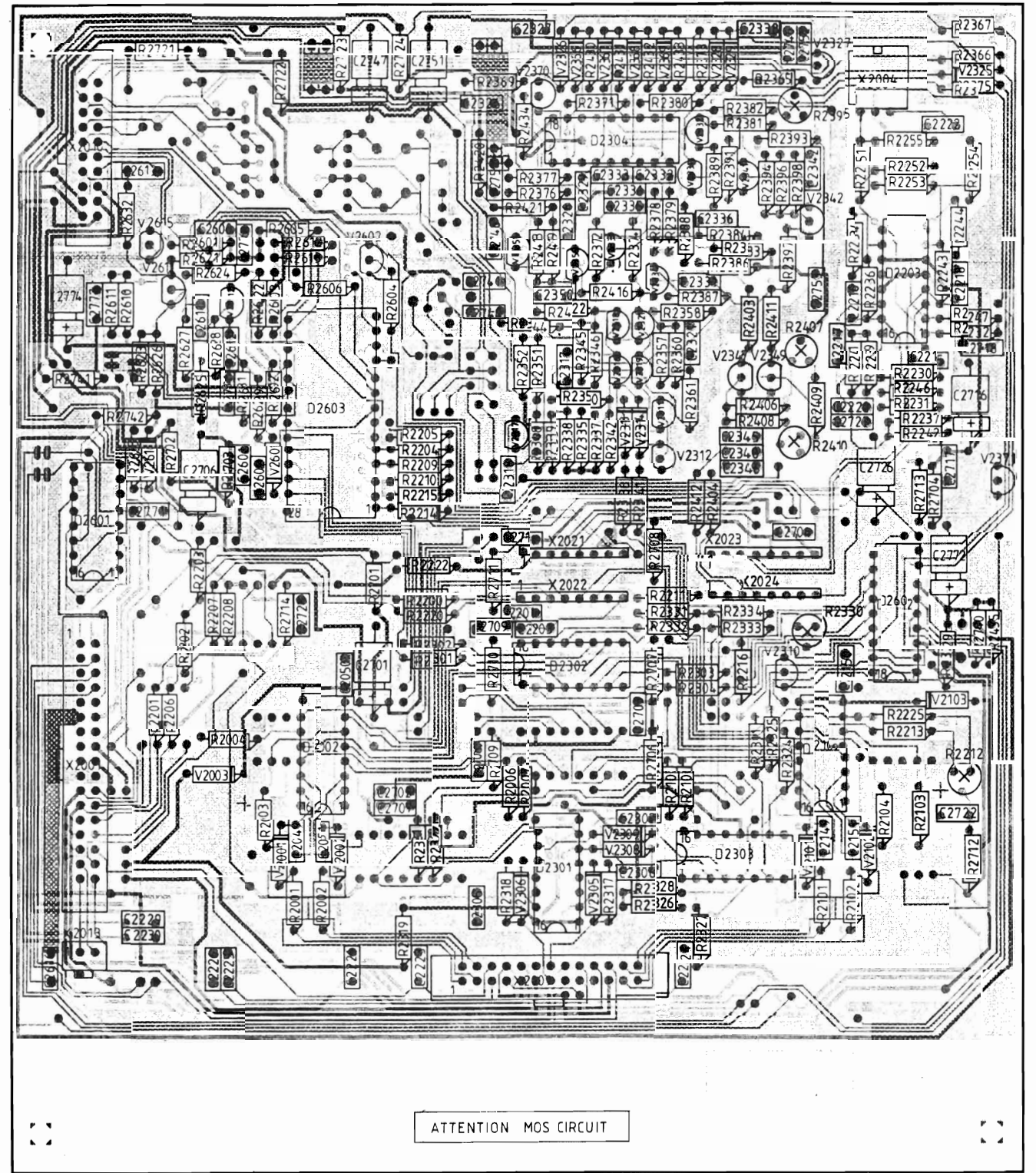
MAT 3009
871016

Figure 5.4 Circuit diagram of pre-amplifier, trigger switch



REF NO	TYPE
D2301	000205
D2302	000020
D2303	000020
D2304	000128

MAT 3003
871016



MAT3005
871016

Figure 5.5 Pre-amplifier unit p.c.b.

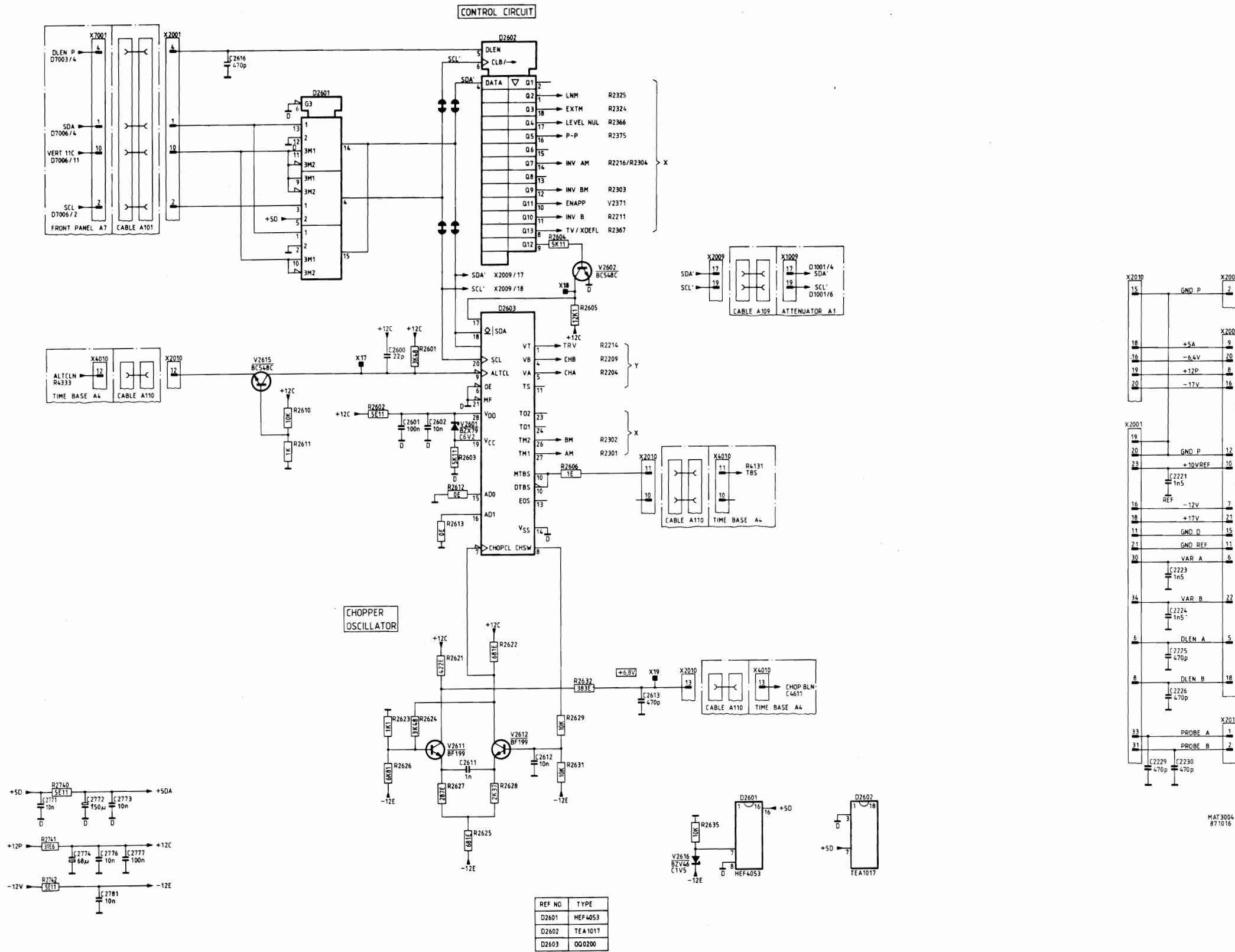
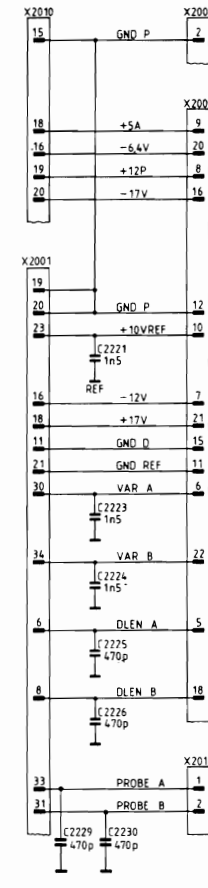


Figure 5.6 Circuit diagram of pre-amplifier, logic control



MAT3004
871016



6. XYZ-AMPLIFIER UNIT (A3)

6.1 INTRODUCTION

Unit A3 incorporates two separate pcb's which are connected via X3001. One pcb includes among other things the CRT socket and is connected at the rear of the CRT. The other pcb comprising the proper final X and Z amplifiers is situated at the upper side of the CRT. For ease of description, unit A3 is described as one unit.

The XYZ-amplifier unit consists of:

- Final vertical (Y) amplifier.
- Final horizontal (X) amplifier.
- Final unblanking (Z) amplifier, incl. CRT.

6.2 FINAL VERTICAL (Y) AMPLIFIER

The final Y-amplifier receives its signal from the delay line and supplies the correct vertical signal to the Y-deflection plates of the CRT. For this the signal is processed in four stages:

- V3001, V3002 as a series feedback amplifier, including a delay line compensation network and potentiometer R3007 controlling current source V3003 for correction of any unbalance in the Y-deflection plates of the CRT. These circuits are connected between the emitters of both transistors.
In this stage the input voltage is converted into a current signal.
- V3004, V3006 as a shunt feedback amplifier, which gives a voltage signal to the next stage.
- V3008, V3009 as a series feedback amplifier, including a final RC-correction network and potentiometer R3038 for gain adjustment to compensate the different CRT sensitivities. V3007 supplies a constant current of 60 mA, i.e. 30 mA for each side. Note that the output again supplies a current signal.
- V3011, V3012 as a common-base amplifier for buffering the final Y-amplifier to the Y-deflection plates. The maximum amplitude on each deflection plate is: $30 \text{ mA} \times 655 \text{ E} = 20 \text{ V approx.}$

6.3 FINAL HORIZONTAL (X) AMPLIFIER

The input current for X-deflection is obtained from the time-base unit (ref: X- and X+) and processed in three stages, with circuits in the following configurations:

- V3101, V3102 as a common-base amplifier. The current "I" on the collector of both transistors determines the voltage across R3102 and R3116. This voltage is about 1,5 V p-p and feeds the next stage.
- V3103, V3106 as a series feedback amplifier, including a RC-correction network for optimum linearity of the trace and potentiometer R3118 for x1 amplifier adjustment, mounted between the emitters of both transistors. V3104 serves as current source.

- V3112, V3114 are connected as a shunt feedback amplifier, with resistors R3126 and R3134 as the feedback resistors. The transistor source are emitter followers V3109, V3111. This circuit serves as the actual final amplifier, which converts the deflection current into the proper deflection voltage for the X-deflection plates of the CRT. Transistors V3108, V3116 supply the bias current for the circuit.

6.4 FINAL BLANKING (Z) AMPLIFIER AND CRT

The blanking current derived from the Z pre-amplifier of the time-base unit is routed via common base amplifier V3200 and emitter-follower V3201 to the shunt-feedback amplifier V3202. This stage is fed by current source V3203, which gives a constant current of 4 mA. The voltage on the collector of V3202 can vary between +5 V for unblanking and -35 V for fully blanking.

This Z-pulse may contain d.c., l.f. and h.f. components to be applied to grid G1 of the CRT. Since G1 is at a cathode potential of -2000 V, blocking capacitors are required between G1 and the Z-amplifier output. The h.f. component is directly routed via blocking capacitor C3211 to G1.

However, the d.c. and l.f. components are blocked, so these components are first modulated on a 200 kHz carrier signal by V3207 and V3208 to pass blocking capacitor C3209. Then the signal is demodulated again by V3209 and V3211. Finally, the reconstituted d.c. and l.f. components are added to the h.f. component.

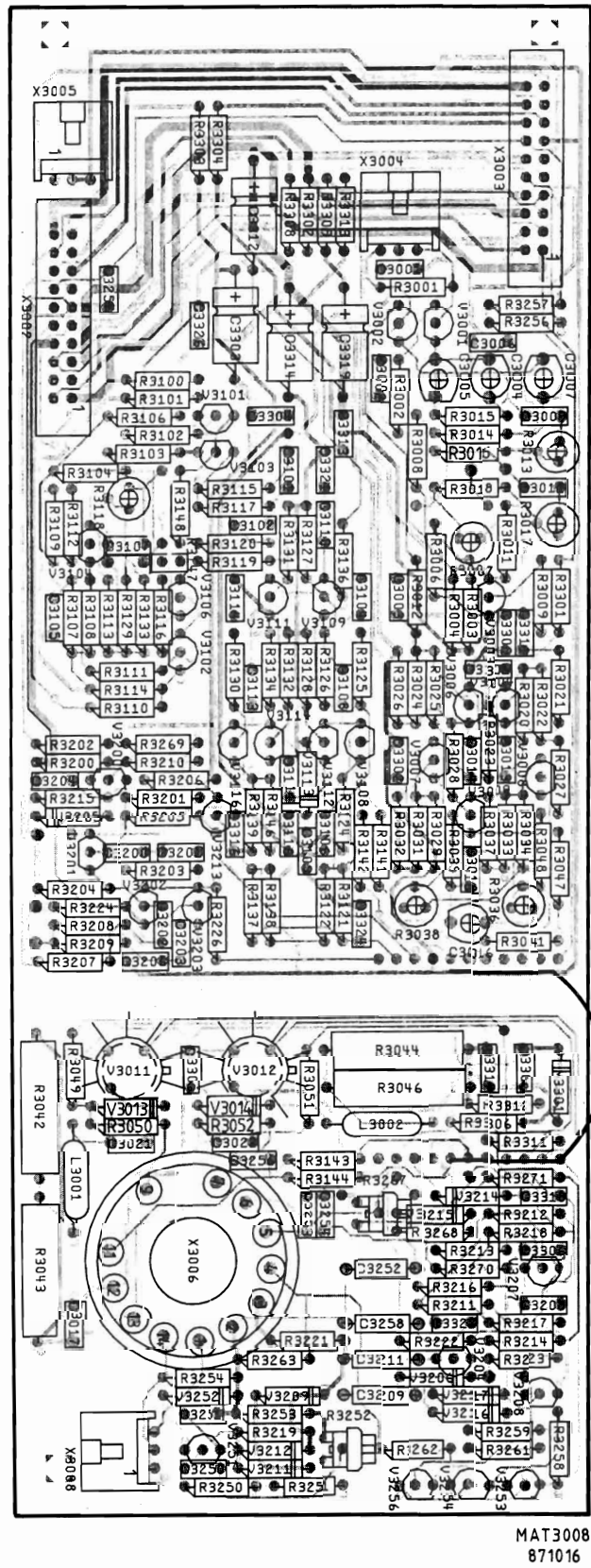
Transistor V3251 forms a nominal 70 V zener circuit which provides the voltage difference between the cathode and G1 of the CRT. This bias voltage ensures blanking when there is no input signal. For adaptation to each CRT, this voltage can be varied between about 40 V and 100 V by means of R3252 (BLACK LEVEL). Resistor R3254 maintains the filament at the same potential as the cathode.

Any ripple on the cathode voltage is fed-back via transistor V3213 to the input of the Final Z-amplifier and added to the blanking signal. This means that the differential voltage between G1 and the cathode of the CRT is always fixed. Because this differential voltage determines the intensity of the spot, as a result, the intensity is almost independent of the ripple.

The amplifier stage V3253, V3254 and V3256 provides amplification for the range of the FOCUS control. The range of 0...+10 V gives a final range on G3 of the CRT of -1350 V ... -1600 V.

Resistor R3257 connects the INTENS control to the focus adjustment to maintain a sharply defined trace at varying brightness.

For optimum presetting of the GEOMETRY, the voltage on G5 of the CRT is set to a fixed level of -30 V. The ASTIGMATISM can be varied by means of potentiometer R3267.



MAT3008
871016

Figure 6.1 XYZ amplifier p.c.b.

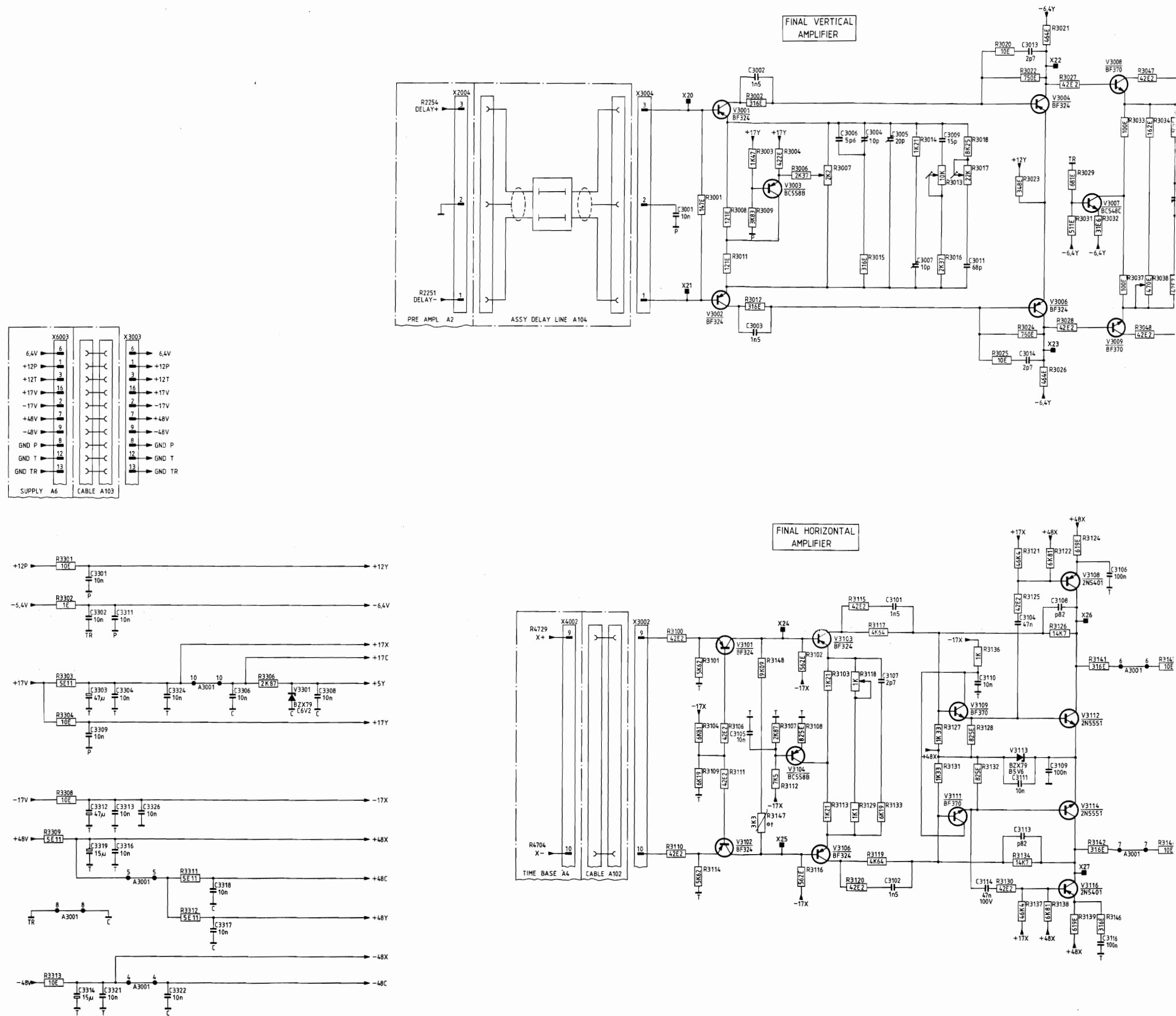


Figure 6.2 Circuit diagram of XYZ amplifiers, final X and Y amplifiers

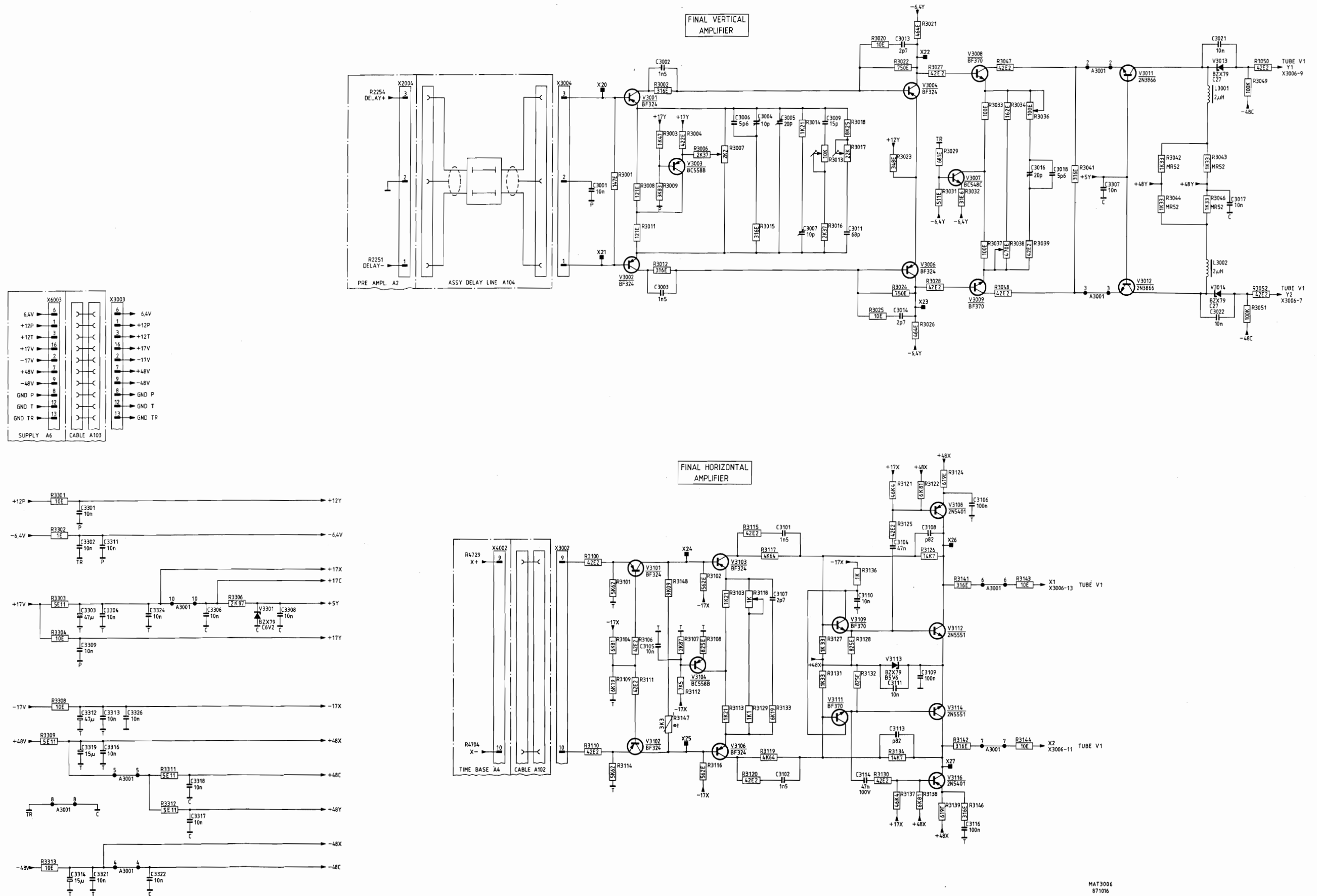


Figure 6.2 Circuit diagram of XYZ amplifiers, final X and Y amplifiers

MAT3006
871016

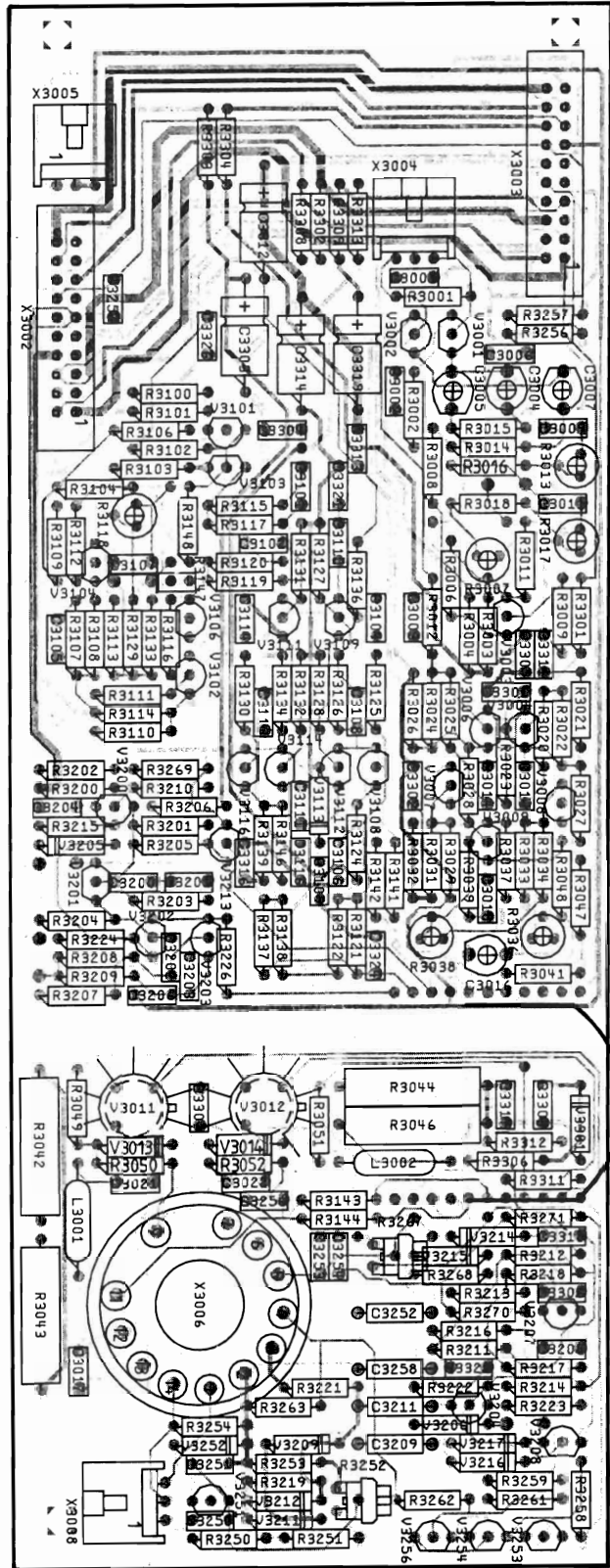


Figure 6.3 XYZ amplifier unit p.c.b.

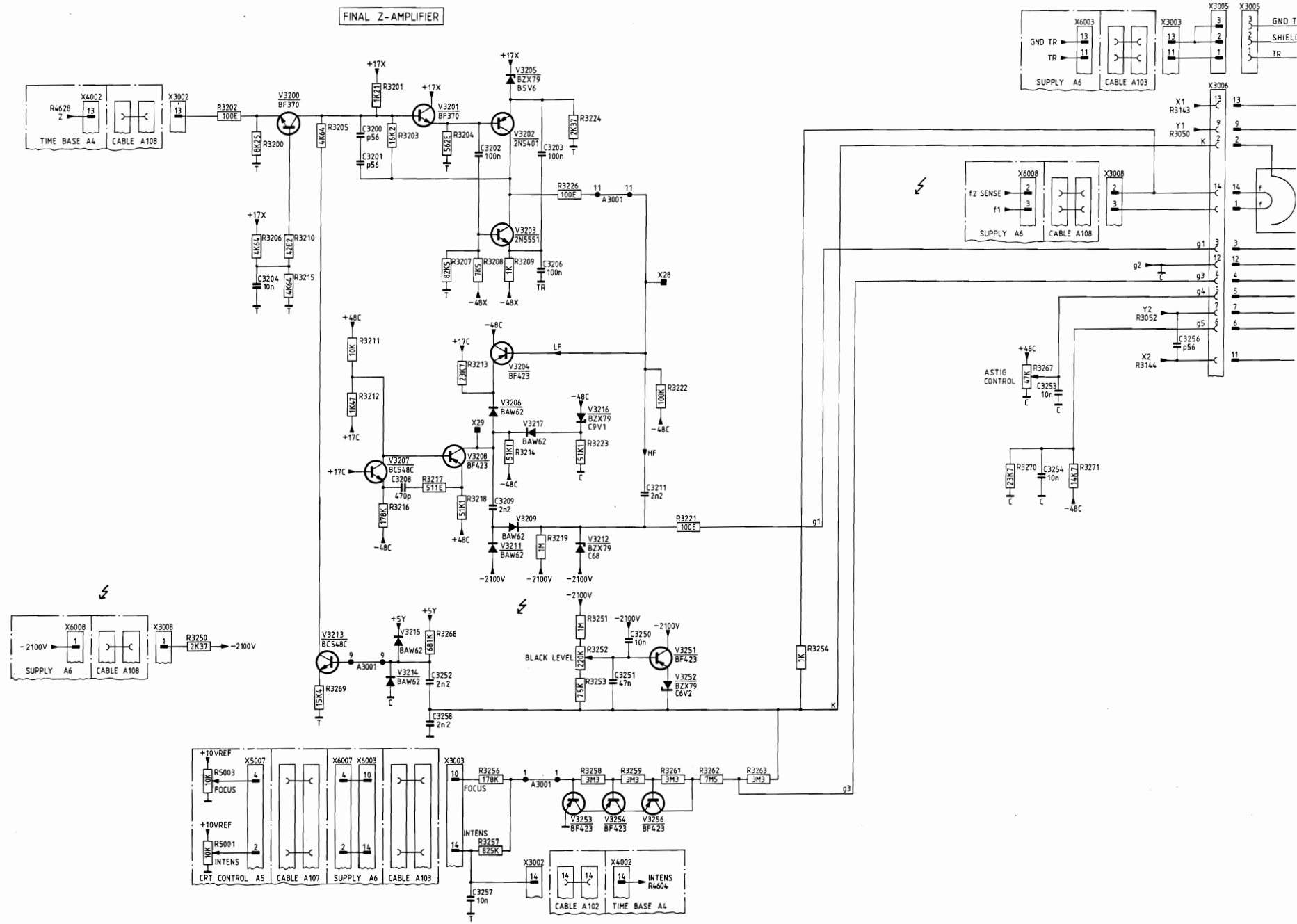


Figure 6.4 Circuit diagram of XYZ ampli

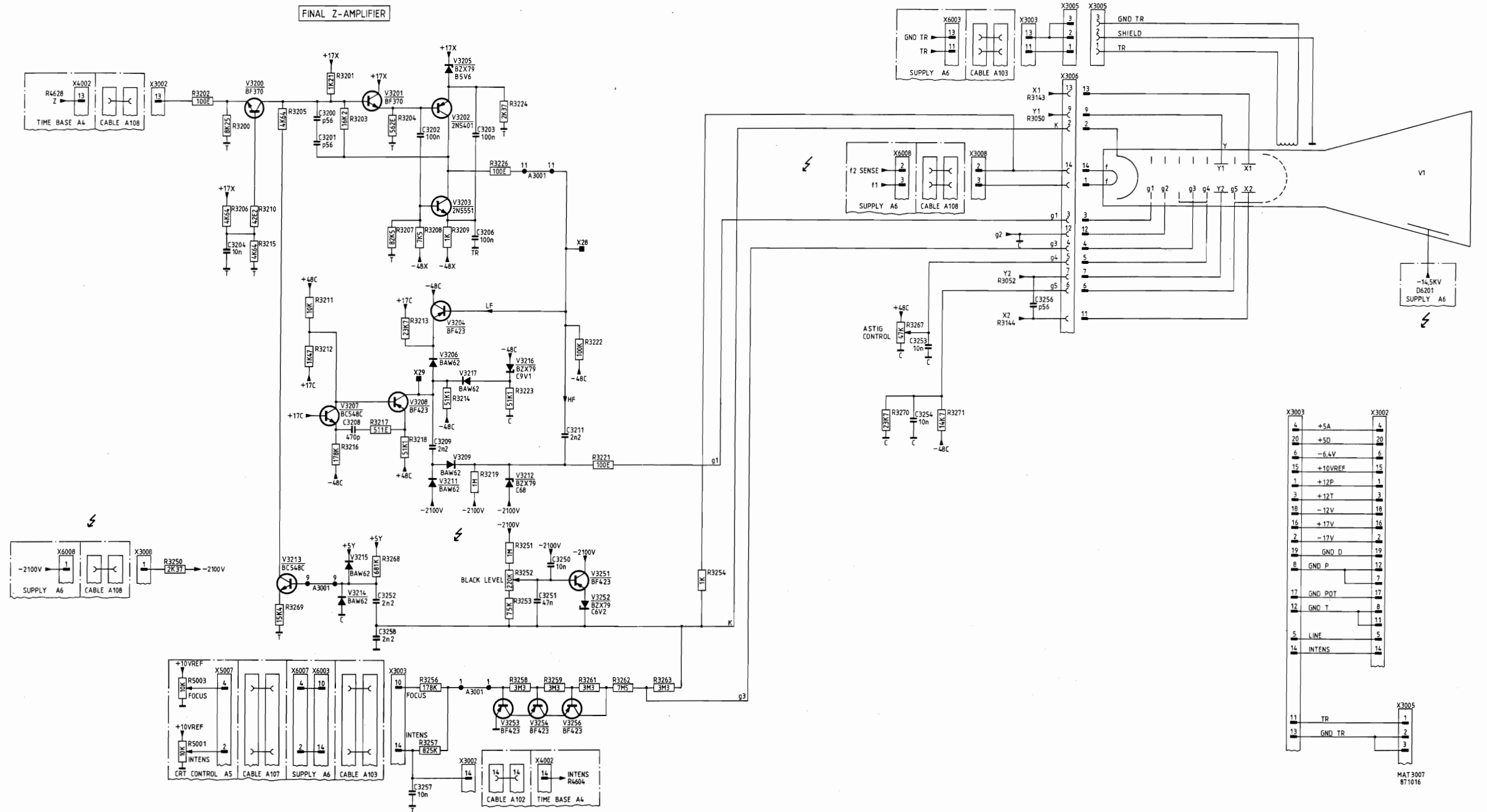
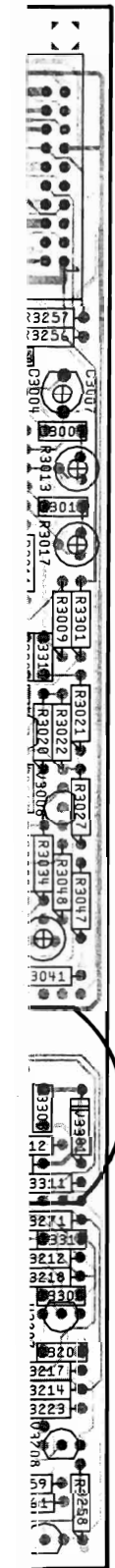


Figure 6.4 Circuit diagram of XYZ amplifiers, Z amplifier and CRT circuit



MAT3008
871016

b.

7. TIME-BASE UNIT (A4)

The time-base unit consists of:

- Trigger amplifier
- Timing circuit
- Sweep generator
- X DEFL amplifier, incl. display mode switch
- Horizontal pre-amplifier
- Z amplifier

As a supplement, the timing diagram for several conditions of the time base is given in section 7.6.

All control pulses for this unit are generated by the time-base control circuit, via the I²C bus. Integrated circuits D4001 and D4002 convert this series DATA into the parallel control pulses, provided that DLEN TB1, and DLEN TB2 are HIGH.

7.1 TRIGGER AMPLIFIER

* TB triggering:

The symmetrical trigger current signals TRIGM+ and TRIGM- are derived from the pre-amplifier unit and converted into the asymmetrical trigger voltage via the shunt feedback amplifier V4003 and V4006. The amplifier of this trigger signal is the summation of the voltage swings across R4002 and R4003, which are proportional to the current swing of TRIGM+ and TRIGM-.

* TV triggering:

When the signal TVMTB goes LOW, the normal trigger path is blocked via V4005 and V4007 and the trigger signal is routed via the TV trigger stage V4009...V4018. Transistor V4009 serves to clip the synchronisation pulse and LINE/FRAME selection is obtained by 4016.

7.2 TIMING CIRCUIT (see figure 7.1)

The timing for the entire time-base circuit is obtained by D4103 together with its associated components.

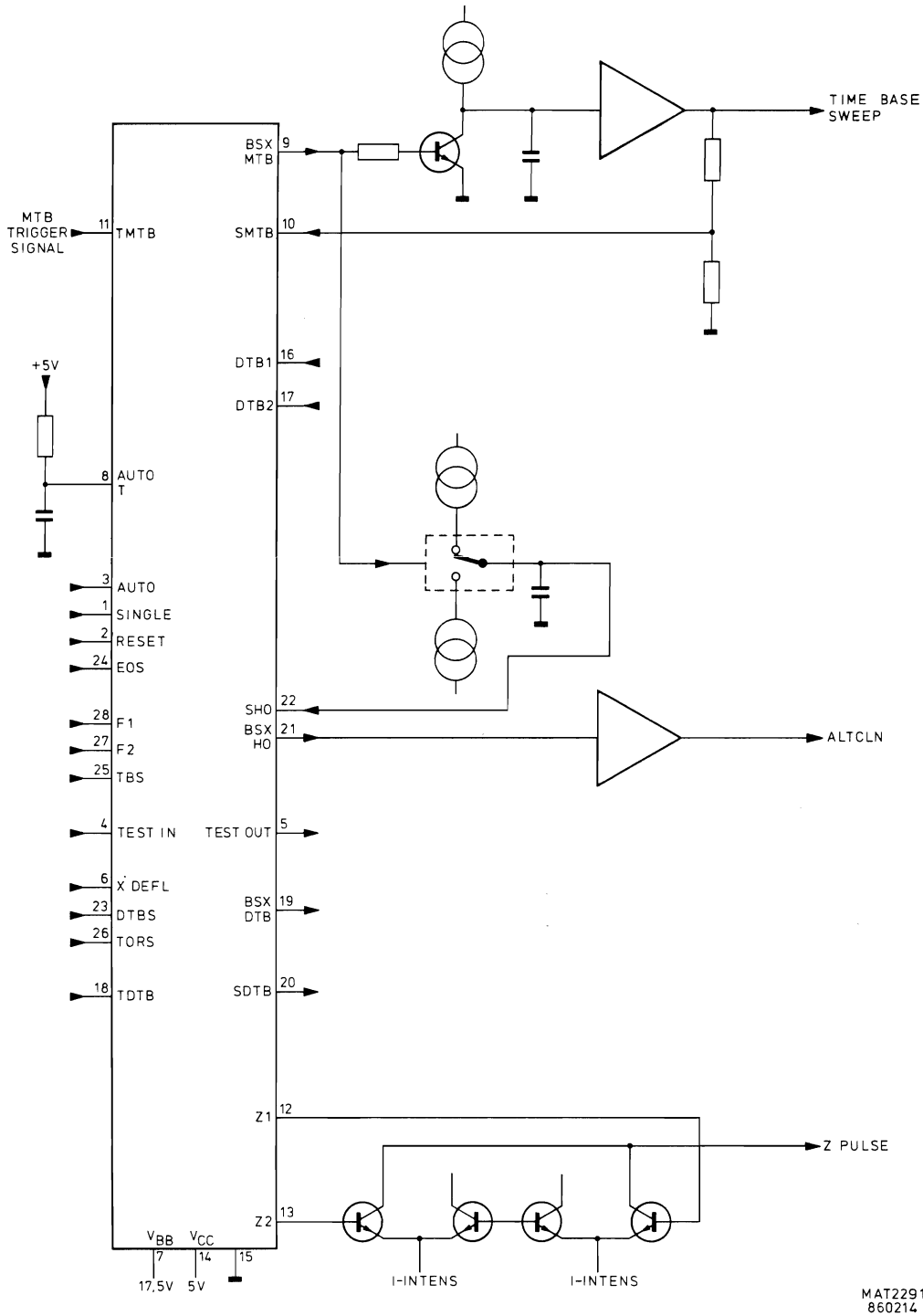


Figure 7.1 D4103 configuration

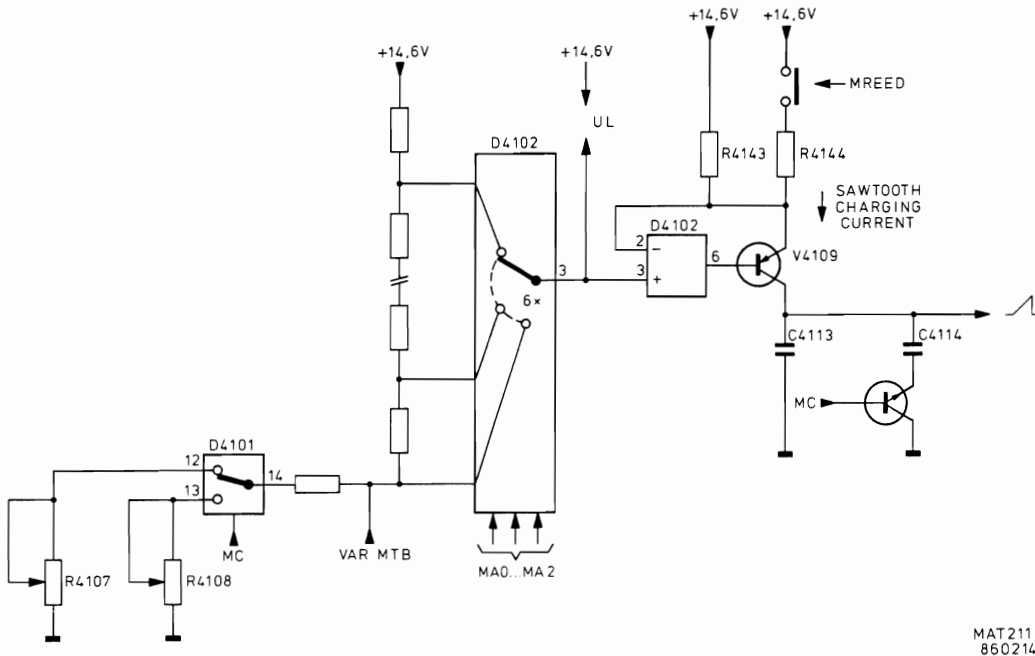
D4103 has the following relevant pin connections:

Pin	Name	INPUT-OUTPUT	Description
1	SINGLE	TTL-input	Selects the single time-base mode.
2	RESET	TTL-input	Stops the sweep and starts the hold off sweep.
3	AUTO	TTL-input	Selects the AUTO trigger mode, the time base is free-running after the last trigger pulse.
4	TESTIN	TTL-input	Selects the possibility to drive several functions (TESTOUT) in combination with SINGLE and RESET.
5	TESTOUT	TTL-output	--
6	X DEFL	TTL-input	Activates the Z1 and Z2 outputs.
7	Vbb	-	+1,5 V supply input.
8	AUTOTIME	input	RC-time determination (100 ms) for the AUTO trigger mode.
9	BSXMTB	TTL-output	Discharges the TB-sweep capacitor(s).
10	SMTB	SCHMITT-input	Determines the end of the TB-sweep.
11	TMTB	SCHMITT-input	Determines the start of the TB-sweep.
12	Z2	TTL-output	Determines the blanking of the CRT.
13	Z1	TTL-output	Determines the blanking of the CRT.
14	GND	-	Ground.
15	Vcc	-	+5 V supply input.
16	DTB1	-	not used
17	DTB2	-	not used, connected to ground.
18	TDTB	-	not used
19	BSXDTB	-	not used
20	SDTB	-	not used
21	BSXHO	TTL-output	Determines the ALT clock pulse
22	SHO	SCHMITT-input	Determines the end of the Hold-off sweep.
23	DTBS	-	not used; connected to +5 A.
24	EOS	-	Not used; connected to +5 A.
25	TBS	TTL-input	Determines the TB-unblanking (HIGH)
26	TORS	TTL-input	Determines the STARTS condition (LOW) or TRIG'D condition (HIGH) of the DTB.
27	F1	TTL-input }	Determines the time base display mode (both LOW).
28	F2	TTL-input }	

NOTE: All SCHMITT-inputs are at +2,5 V level.

7.3 SWEEP GENERATORS

* TB sweep generator (see figure 7.2):



MAT2117
850214

Figure 7.2 Simplified diagram of the time-base sweep generator

U1

The sawtooth charging current R4143 (and R4144) determines the sweep speed via C4113 (+C4114).

The circuit is controlled by the following address lines:

- MA0...MA2, for interconnection of D4102-3 to an input pin, thus giving six different voltage levels U1 with respect to +14,6 V.
- MREED, for addition of R4144 to the sawtooth charging circuit.
- MC, for addition of C4114 to the sawtooth charging circuit and for switching over between calibration pot.meters R4107 (50ns...100us) and R4108 (200 us...0,5 s).

The voltage U1 can be continuously varied by moving the VAR TB control R7009 from the CAL position. Thus a sweep variation of 1:2,5 can be obtained.

The function table for the sweep generator is given below:

sweep speed	MA2	MA1	MA0	MREED	MC
50 ns	1	1	1	0	0
.1 us	0	1	0	0	0
.2	0	0	1	0	0
.5	0	0	0	0	0
1	0	1	1	0	0
2	1	0	0	1	0
5	1	1	1	1	0
10	0	1	0	1	0
20	0	0	1	1	0
50	0	0	0	1	0
.1 ms	0	1	1	1	0
.2	1	0	0	0	1
.5	1	1	1	0	1
1	0	1	0	0	1
2	0	0	1	0	1
5	0	0	0	0	1
10	0	1	1	0	1
20	1	0	0	1	1
50	1	1	1	1	1
.1 s	0	1	0	1	1
.2	0	0	1	1	1
.5	0	0	0	1	1

NOTE: When MREED is low, then RELAY is switched on.

The sawtooth current is fed to the buffer circuit, where the h.f. sweep components (to 2 usec) are routed via C4116 and V4118, V4119. The l.f. sweep components (0,5 sec...2usec) is routed via N4103.

Finally the time-base sweep voltage is applied to the horizontal display mode switch.

* Hold-off circuit:

During the time base sweep, capacitor C4304 is discharged. In the lower sweep speeds (lower than 10us) capacitor C4302 is also discharged via V4306. After the sweep, the capacitor(s) are charged via current source V4304 until the voltage across C4304 reaches the +2,5 V level. This voltage is applied to D4103 as the SHO signal and determines if the time base can generate a new sweep.

Depending on the HOLD OFF control potentiometer R7011 adjustment, a part of the charging current leaks away via V4301 and thus continuously variation of the charging time (i.e. hold-off time) is obtained. When BSXMTB goes LOW, the time base starts to run again and at the same time C4304 (and C4302) are discharged again via V4309.

7.4. X DEFL AMPLIFIER AND DISPLAY MODE SWITCH

* X DEFL amplifier:

The circuit for converting the symmetrical X DEFL+ and X DEFL- signals into the asymmetrical voltage, applied to the display mode switch is identical to the trigger input. However, this circuit can be switched-off by diodes V4500 and V4505, provided that the X DEFL signal is HIGH.

* Horizontal display mode switch:

The three deflection signals for real time base, digital time base or X deflection are switched to the horizontal pre-amplifier via diode switches. These switches are under control of the signals X DEFL and TBS. The output of the circuit is applied to R4701 on the horizontal pre-amplifier stage. The logic table is given below:

X DEFL	TBS	Output
1	*	X DEFL signal
0	0	Digital time base
0	1	Real time base

7.5 Z-AMPLIFIER

* Z-switch:

The Z-switch N4601 is configured as two differential amplifiers with a common current output to R4625. The stage is supplied by a constant current source via pin 1 and pin 8. The inputs Z1 and Z2 are derived from the timer stage D4103 and determine the unblanking of the CRT. For this oscilloscope Z1 and Z2 must be HIGH for normal intensity of the time base signal.

The amplitude of the Z-current can be varied by the front-panel INTENS control R5001. The slider of this control potentiometer drives the base pin 2 and pin 7 of both current sources.

To prevent burn-in of the CRT in the lower sweep speeds 0,5 sec...50 usec, signal ZB is LOW and reduces the voltage to pin 2 and pin 7.

Signal ZA is a software-controlled pulse to blank the trace when the AMPL/DIV switch is used.

* Z Pre-amplifier:

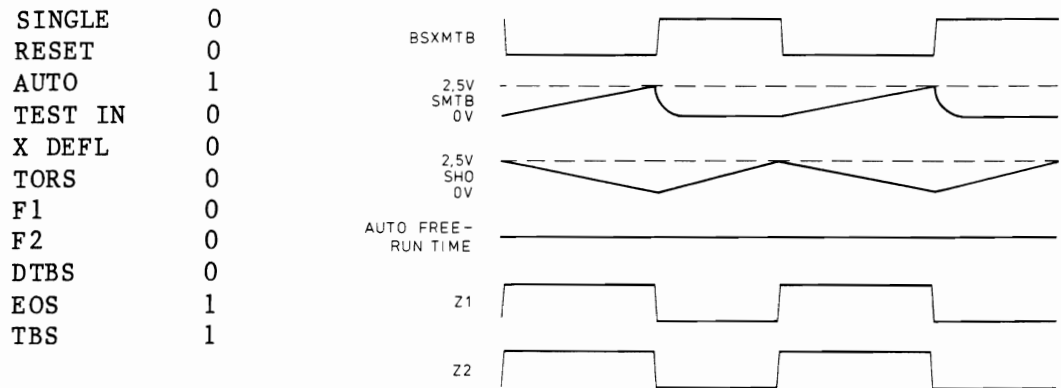
In normal condition, the fully current for CRT blanking derived from N4601 is routed via R4625, V4612 and R2628 to the XYZ Amplifier A3.

However, there are two conditions for additional blanking:

- In the chopped mode of the vertical channels the display is blanked during switching over between channels. This happens by connecting the CHOPBLN pulse to V4611. When this pulse is HIGH, transistor V4611 conducts and a part of the blanking current flows via V4611 e-c to the +5 kV rail.
- if a HIGH level is applied to the external Z MOD input on the rear panel, this signal causes conducting of V4616 so that a part of the blanking current flows via V4616 e-c to the +5 kV rail.

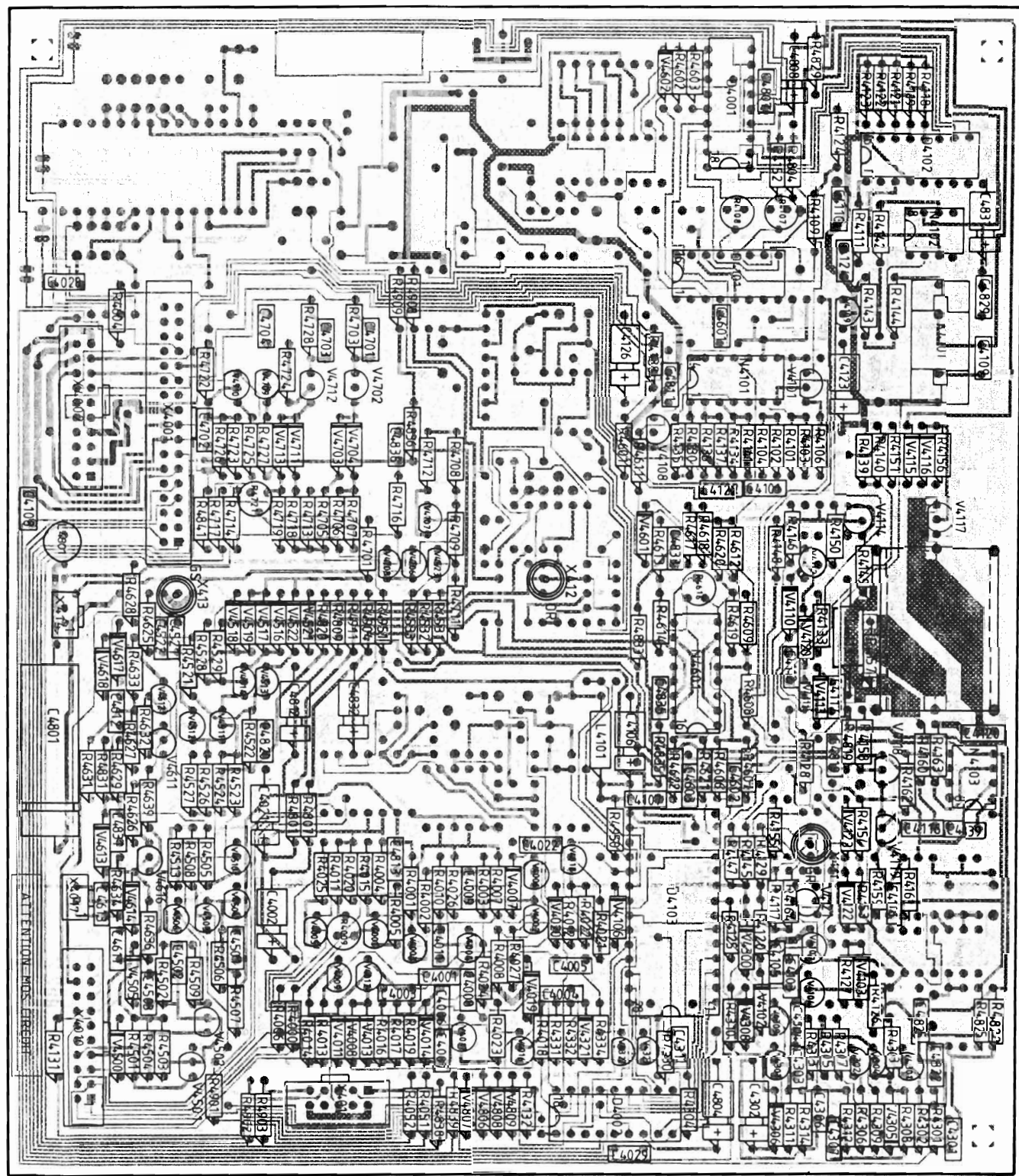
7.6 TIMING DIAGRAM

The following figure gives the timing diagram for D4103 for a free running time base sweep.



MAT2228
860210

Figure 7.3 Free-running sweep-timing diagram



MAT 3012
871016

Figure 7.4 Time-base unit p.c.b.

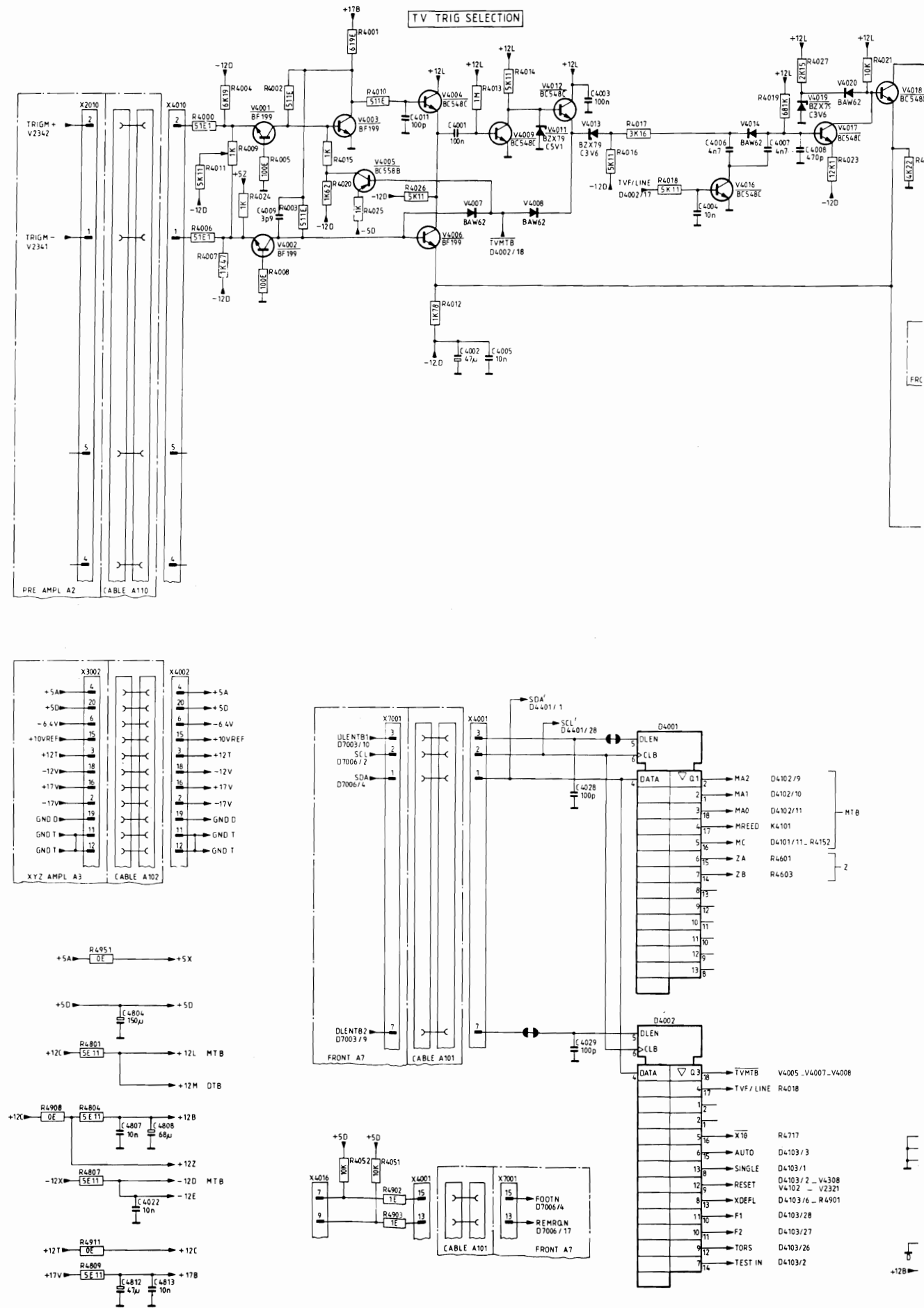


Figure 7.5 Circuit diagram of time-base, trigger amplifier

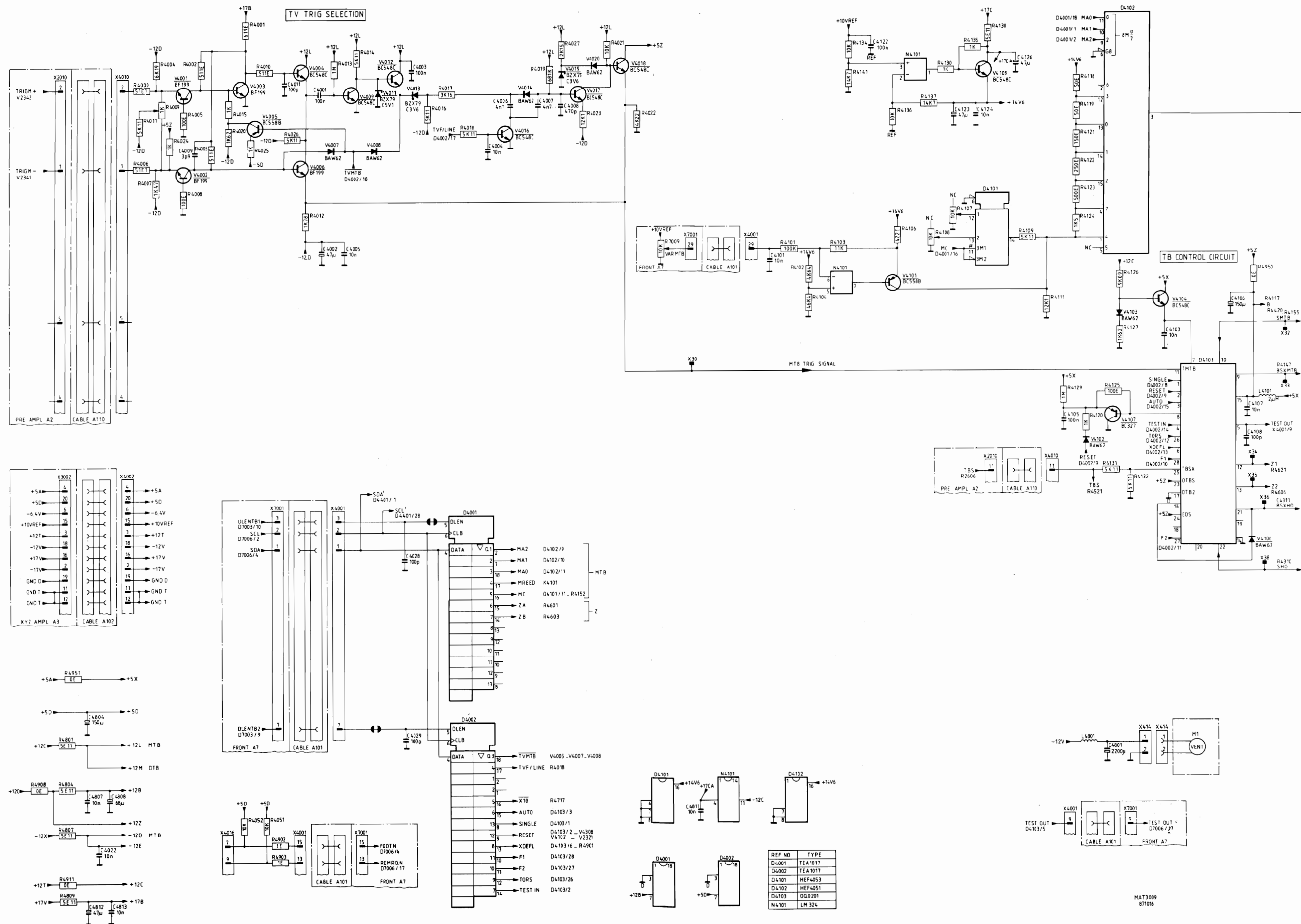


Figure 7.5 Circuit diagram of time-base, trigger amplifier

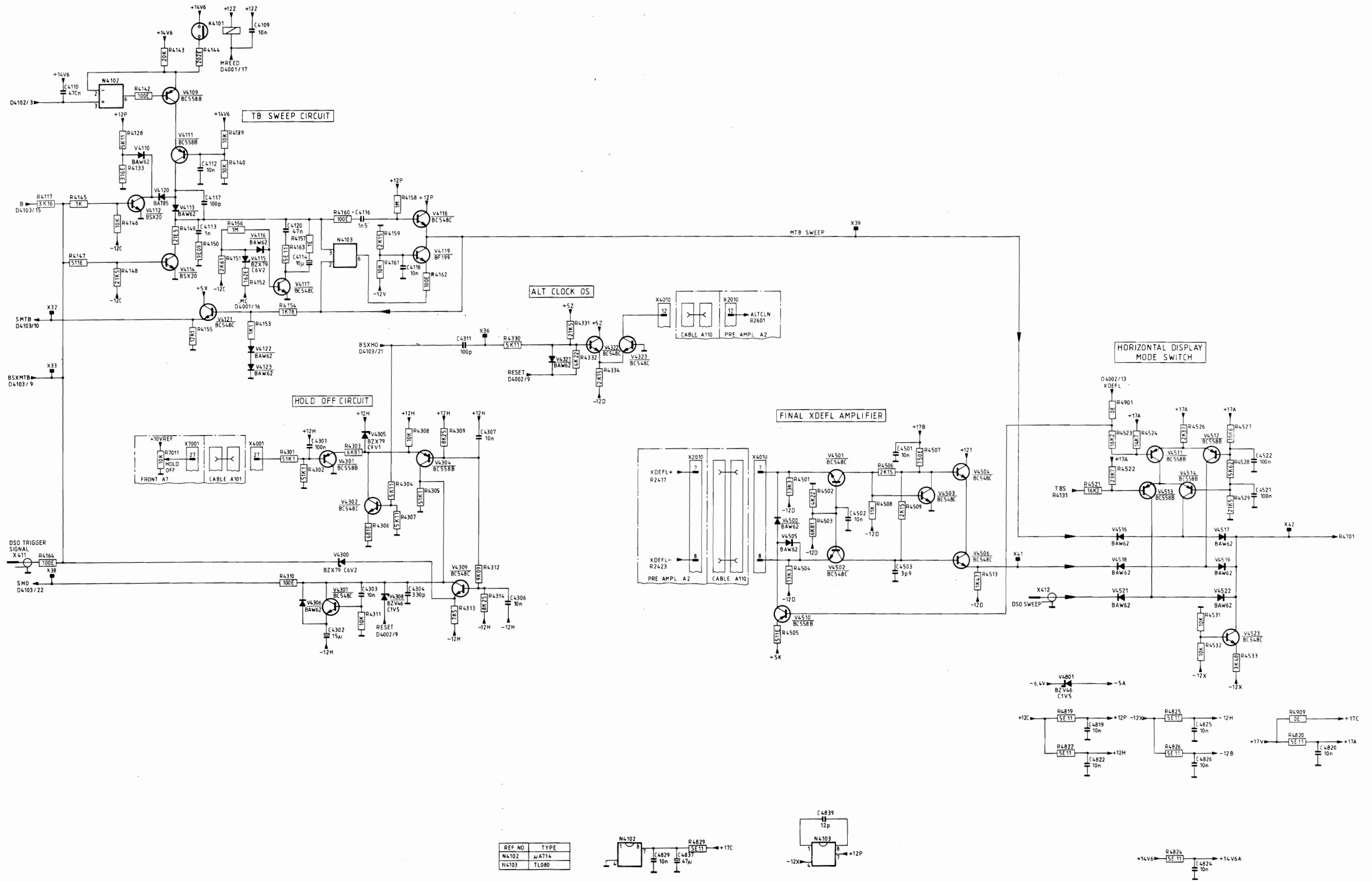
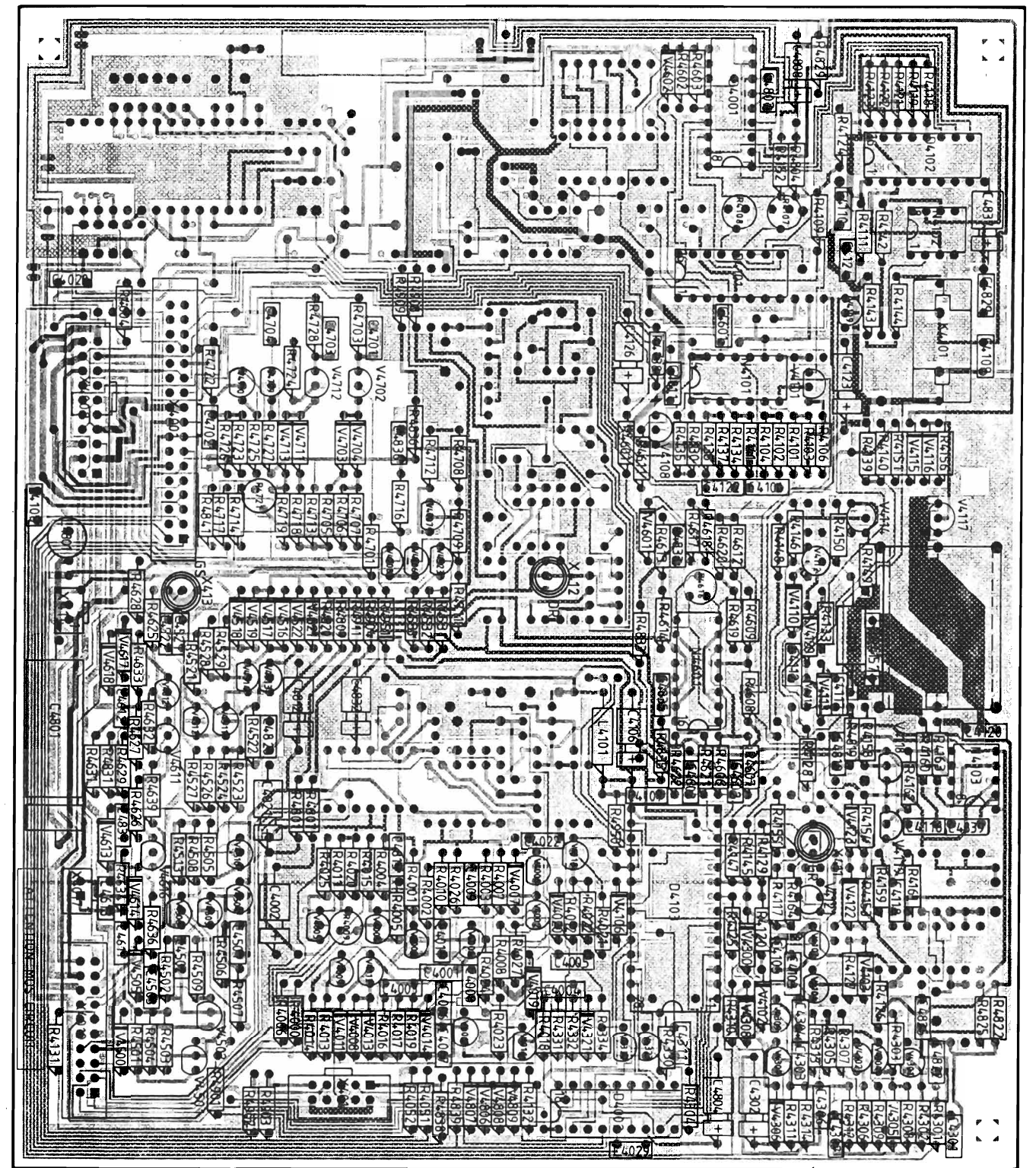
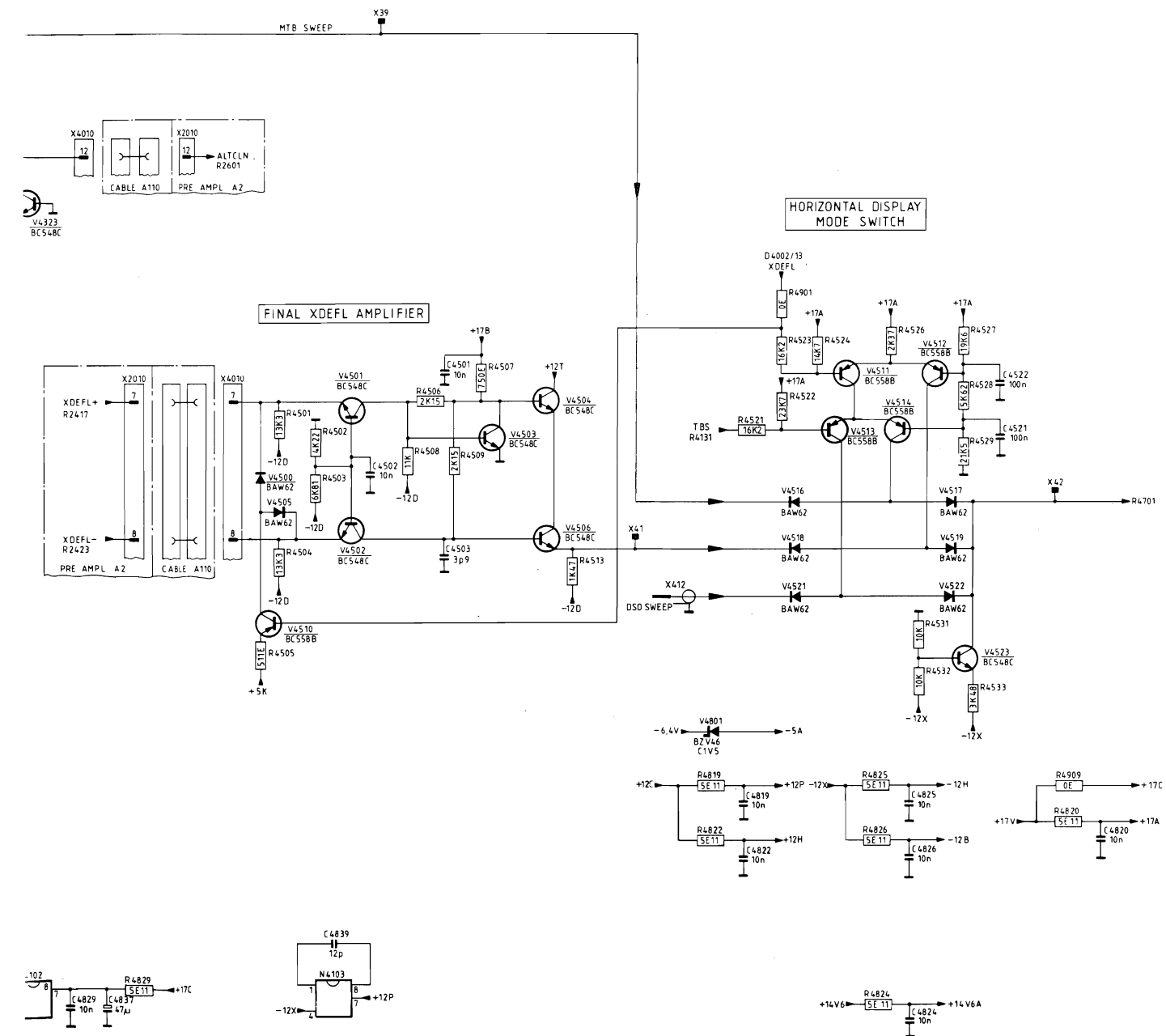


Figure 7.6 Circuit diagram of time-base, sweep circuit and final X-amplifier



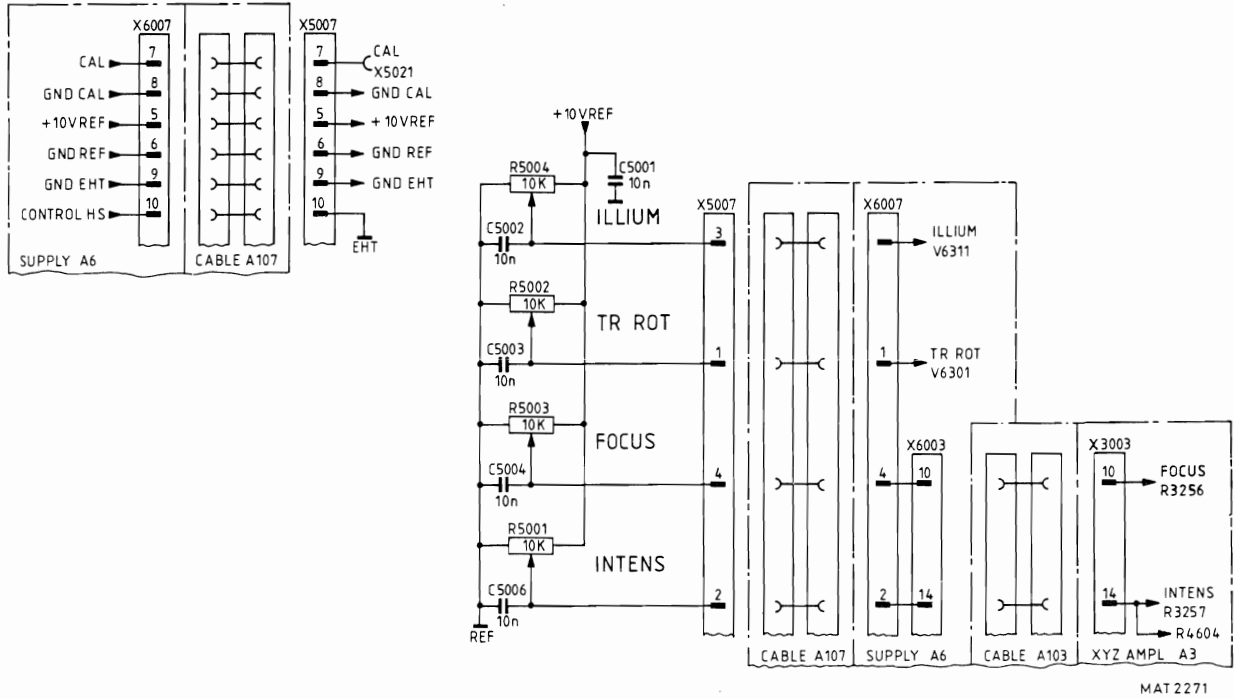
MAT 3012
871016

Figure 7.7 Time-base unit p.c.b.

MAT 3010
871016

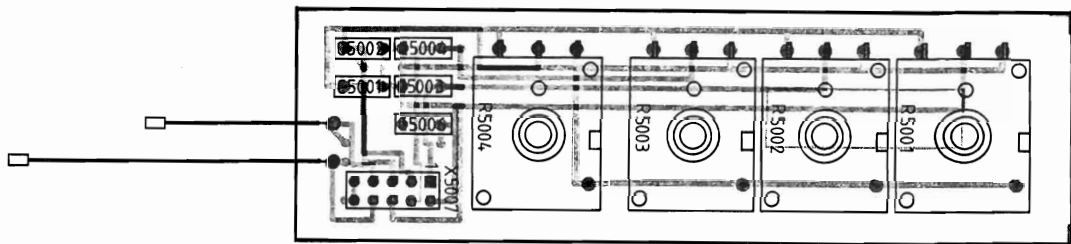
8. CRT CONTROL UNIT (A5)

This unit incorporates the potentiometers that control the CRT functions. These potentiometers are INTENS (R1), screwdriver operated control TRACE ROT (R2), FOCUS (R3) and ILLUM (R4). The range of these potentiometers is between 0 V and +10 V. The way these potentiometers influences the associated circuit is described together with the description of the relevant circuit part.



MAT 2271

Figure 8.1 Circuit diagram of CRT control



MAT 2270

Figure 8.2 CRT control unit p.c.b.

9. POWER SUPPLY UNIT (A6)

Basically, the power supply unit consists of:

- input circuit
- converter circuit
- secondary output rectifiers
- HT supply
- CAL oscillator
- CRT control circuit

9.1 INPUT CIRCUIT

The instrument may be powered from a nominal mains voltage of 90 V...264 V a.c.

The mains voltage is primary protected by a fuse of 1 AT, which is located on the rear of the instrument.

After rectification by the diode bridge V6001...V6004 a d.c. voltage is applied to the converter circuit.

This voltage is smoothed by capacitors C6007, C6008 and choke L6001. Depending on the mains voltage, the rectified voltage is 120 V...370 V.

A fixed part of the mains voltage serves as a LINE-trigger signal. The amplitude of the LINE trigger signal is $1/22x$ MAINS.

NOTE: The LINE trigger signal is not present when a d.c. voltage serves as MAINS.

9.2 CONVERTER CIRCUIT (see figure 9.1 and figure 9.2)

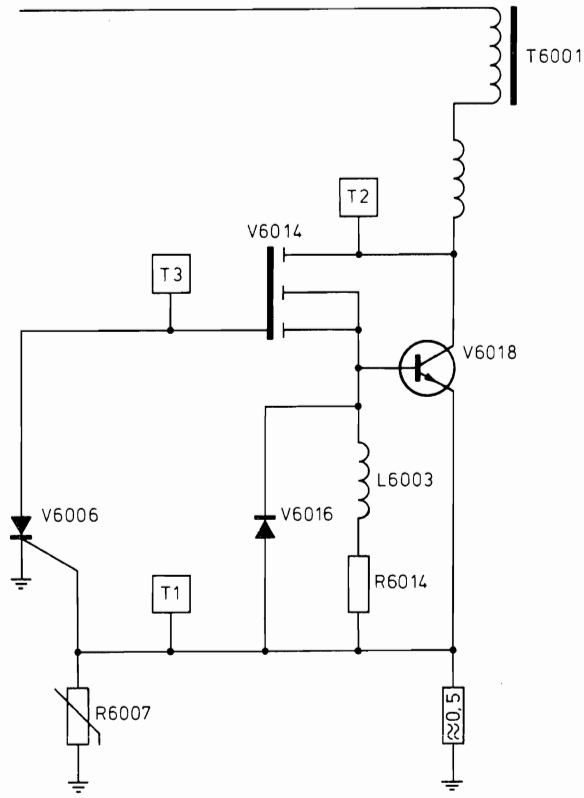
The flyback converters consists of transistor V6014 and V6018 and their associated components. The converter frequency depends on the LINE IN amplitude and is for 110 Vac: 30 kHz approx and for 220 Vac: 45 kHz approx.

Transistors V6014 and T6018 conduct on the forward stroke and charge transformer T6001. The thyristor V6013 fires when the voltage on the gate reaches the firing level (0,6 V approx). Consequently, V6018 blocks - V6014 blocks, for the duration of the flyback stroke, during which the secondary windings discharge via the diode rectifiers into the smoothing capacitors. The NTC resistor R6009 provides temperature compensation for the firing point of the thyristor.

During the flyback, capacitor C6009 charges again via the path T6001-1, V6012, V6009, R6004, C6009, L6002 and T6001-2.

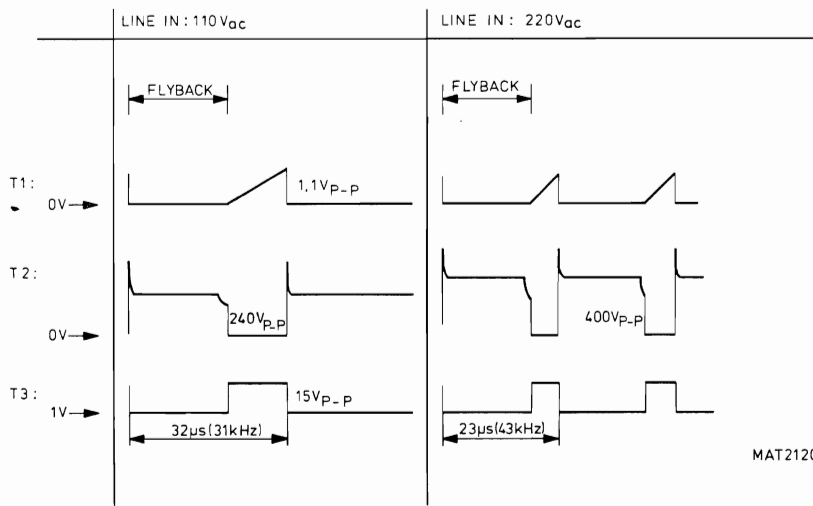
The voltage stabilizer with transistor V6009 gives a square-wave to the gate of transistor V6014 with a maximum amplitude of 15 V.

The dv/dt limiter with L6004, L6006, V6017 and V6019 serves to eliminate the switching spikes present on the collector of V6018 (measuring point X46).



MAT2119
860214

Figure 9.1 Converter circuit



MAT2120

Figure 9.2 Timing diagram converter circuit

9.3 SECONDARY OUTPUT RECTIFIERS

The output voltages taken from the secondary windings of transformer T6001 are rectified by diodes and smoothed by capacitors in conventional circuits.

A "CROWBAR" circuit with transistor V6137 and V6112 protects the +5 V supply.

When the +5 V level is too high, transistor V6137 (and V6112) conduct and the power supply goes into short circuit mode.

A voltage protection circuit using V6134, V6136 and V6112 protects against overloads protection. When the power supply is overloaded, these components conduct and the power supply goes into in the short-circuit mode.

9.4 HT SUPPLY

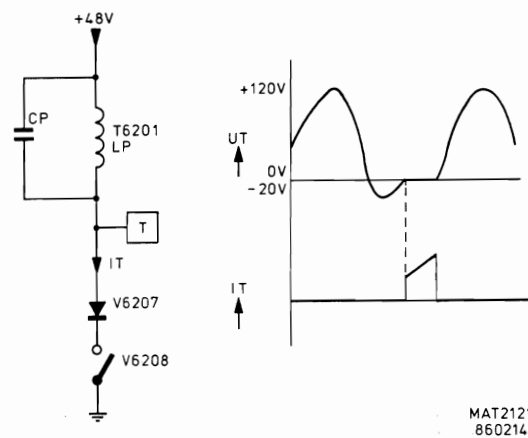


Figure 9.3 HT oscillator

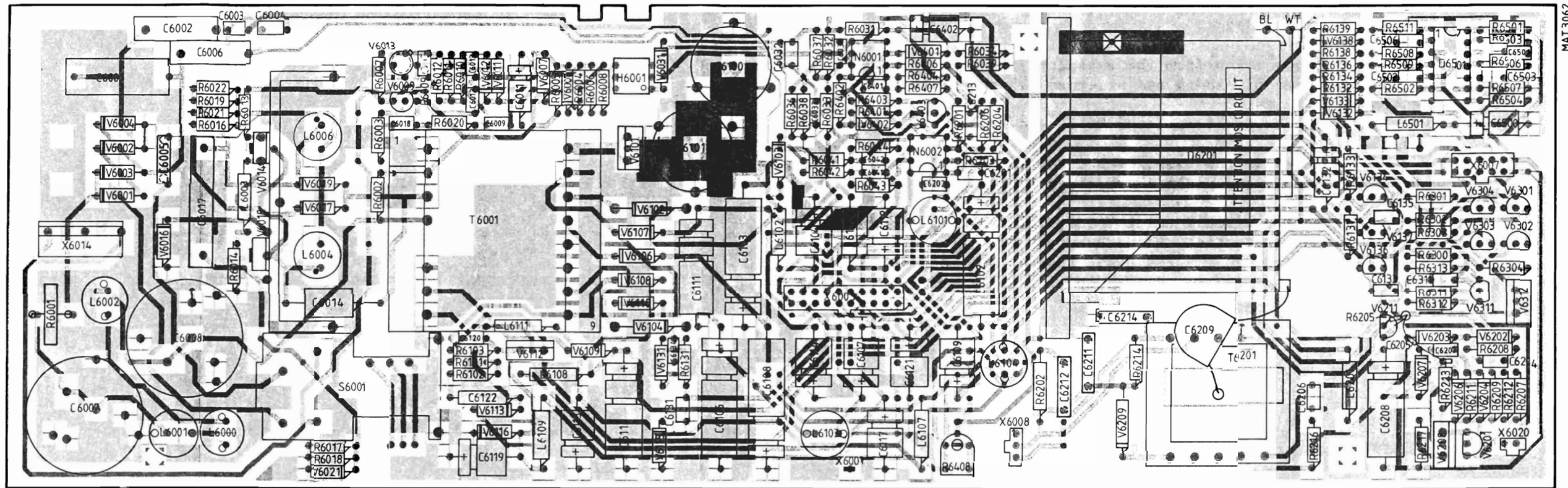
The HT supply consists of an oscillator and a regulator circuit. Transformer T6201 determines the frequency (50 kHz approx.) of the oscillator. The output signal voltage on the secondary winding of T6201 is rectified by diode V6209 and smoothed by C6211. The -2,1 kV is also converted to -14,5 kV in the HT multiplier D6201 and routed via connector X6030 to the post-acceleration anode of the CRT.

To regulate this HT voltage the -2 kV is fed to the input of OP-AMP N6002.

The output level of N6002 determines the energy to T6201, and thus the amplitude of the HT-voltage.

9.5 CALIBRATOR

The calibrator circuit consists of two analogue switches D6501(8-9) and D6501(11-12) controlled by the active HIGH enable inputs 6 and 12 respectively, that are connected as an 2 kHz astable oscillator. Capacitor C6502 and resistor R6504 determine the 2 kHz frequency. The oscillator outputs, applied to enable inputs 5 and 13 of the second stage are in anti-phase with each other. Depending on the level of input 5 and 13, the CAL voltage will have a 1,2 V level or a 0 V level.



MAT 3062
871016

Figure 9.4 Power supply unit p.c.b.

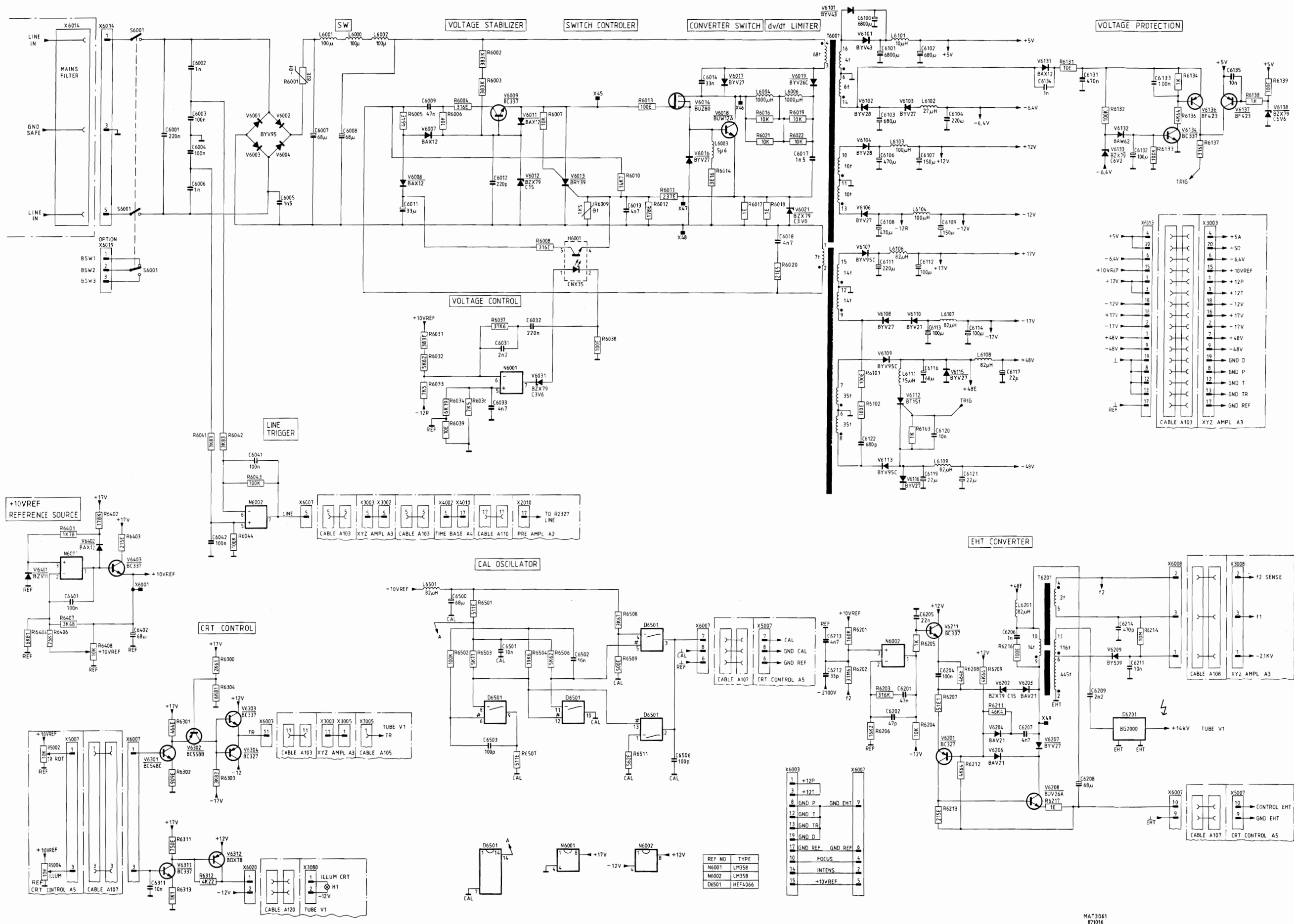


Figure 9.5 Circuit diagram of power supply

10. FRONT UNIT (A7-A8)

The front unit consists of:

- the key-matrix
- the front controls and indicator
- the LCD display

10.1 KEY-MATRIX

The key matrix is connected to two remote 8 bit I/O ports. ROW 1...8 is applied to D7001 and COLUMN 1...8 is applied to D7002. Depending on the softkey which is depressed, a certain ROW and COLUMN will be influenced. This is read by the SDA \emptyset line and thus by the microprocessor.

The lines ROW 1, COL 1, COL 3, COL 5, COL 6 and COL 7 are also connected to the cursor unit A9 and read the cursor softkeys.

10.2 FRONT CONTROLS AND INDICATOR

The front-panel controls give a voltage between 0...10 V to the various circuits. To determine the UNCAL position of VAR A, VAR B or VAR DC, the dc voltages on the slider of the potentiometer are applied to comparator N7001. When the voltage level of the control is lower than 0,7 V, the I²C bus reads a logic high. Then the microprocessor adapts the LCD display to indicate the CAL status (e.g. no flashing ">" segment visible)

Integrated circuit D7004 (0Q0044) detects the kind of probe which is connected to the oscilloscope. Depending on the resistance between the probe indication input (pin 3 for channel A and pin 16 for channel B) and ground, the V/DIV reading of the LCD automatically increases according to the following table:

Pin 3 (16)	Pin 6 (17)	Pin 7 (12)	V/DIV attenuation
2k32	0	0	x10
6k98	1	0	x100
7k68	0	1	x1
10k	1	1	x1

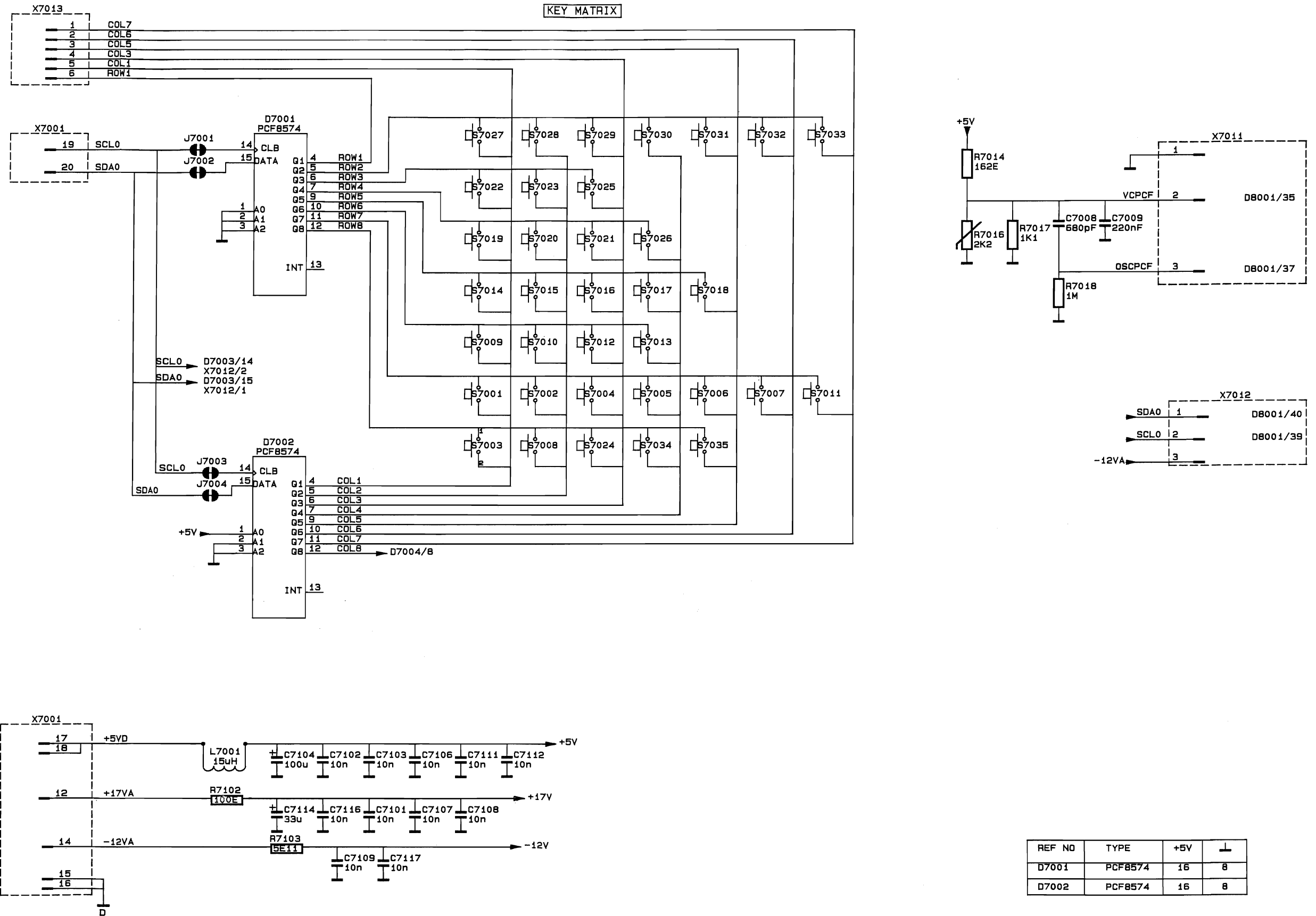
10.3 LCD DISPLAY CIRCUIT

The LCD is driven by three drivers D8001, D8002 and D8003 (PCF8577). The temperature dependent supply voltage VCPCF is 4 V approx. at 25°C. When the temperature increases, this voltage decreases.

The single-pin built-in oscillator on pin 37 of D8001 provides the modulation frequency for the LCD segment driver outputs. Capacitor C7008 and resistor R7018 are connected to this pin to form the oscillator, with a frequency of 150 Hz approx. Pin 36 and pin 37 are used to determine the LCD driver address in the I²C bus.

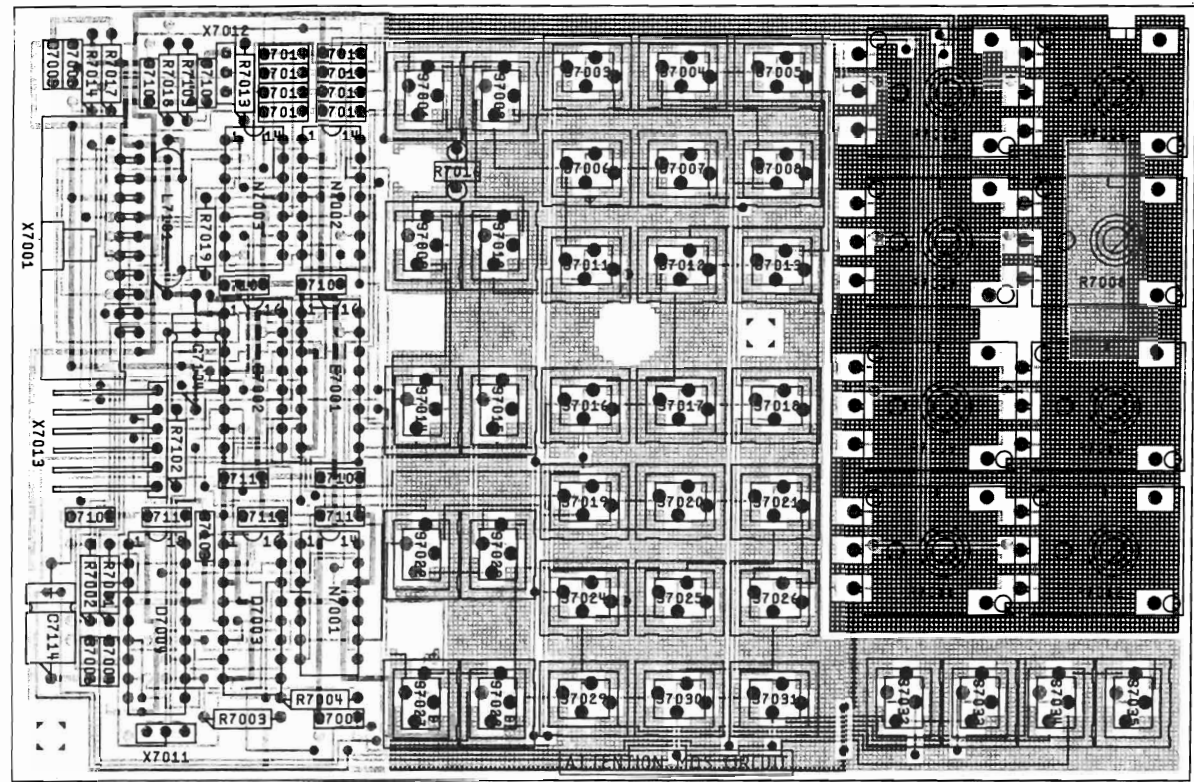
The outputs pin 1...pin 32 directly drive the LCD.

Outputs BP1 and BP2 (pin 33 and pin 34) drive the COMMON pins of the LCD.



REF NO	TYPE	+5V	⊥
D7001	PCF8574	16	8
D7002	PCF8574	16	8

Figure 10.1 Circuit diagram of front unit, key matrix



MAT3015
871016

Figure 10.2 Front unit p.c.b.

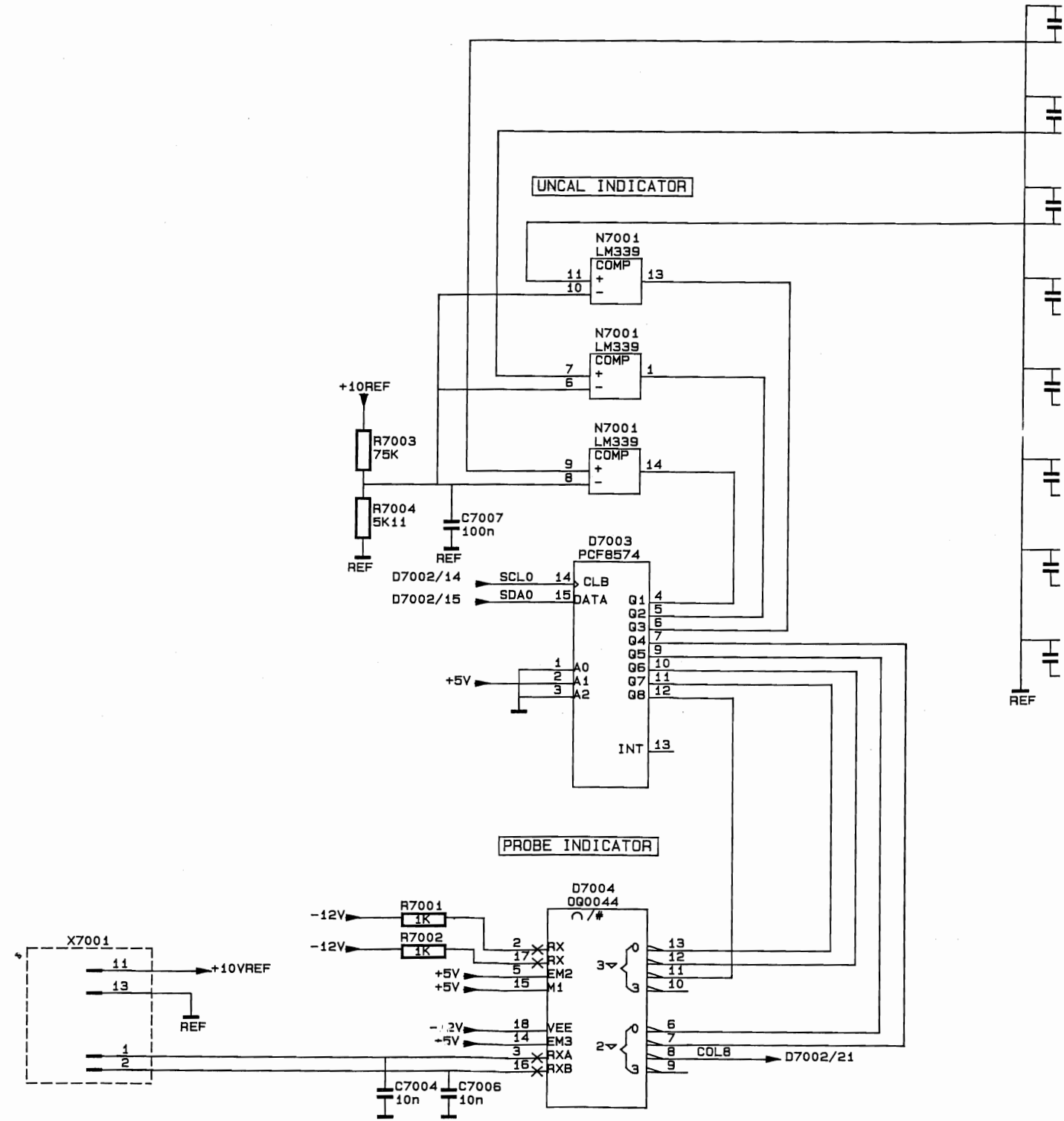


Figure 10.3 Circuit diagram of front unit, front controls and probe indication

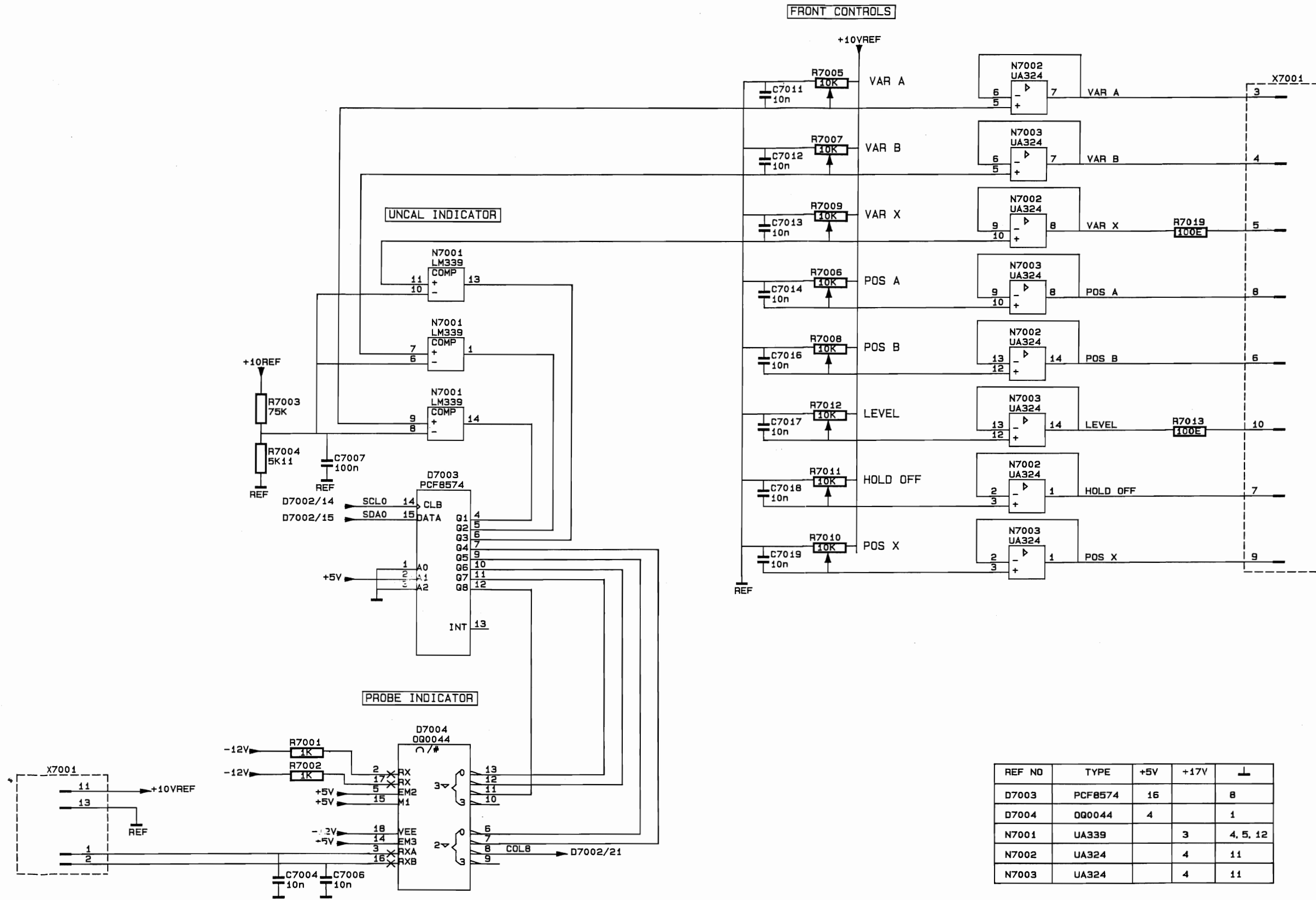


Figure 10.3 Circuit diagram of front unit, front controls and probe indication

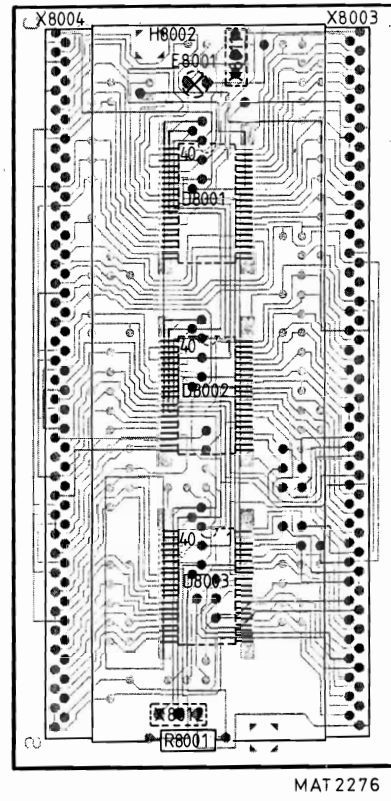
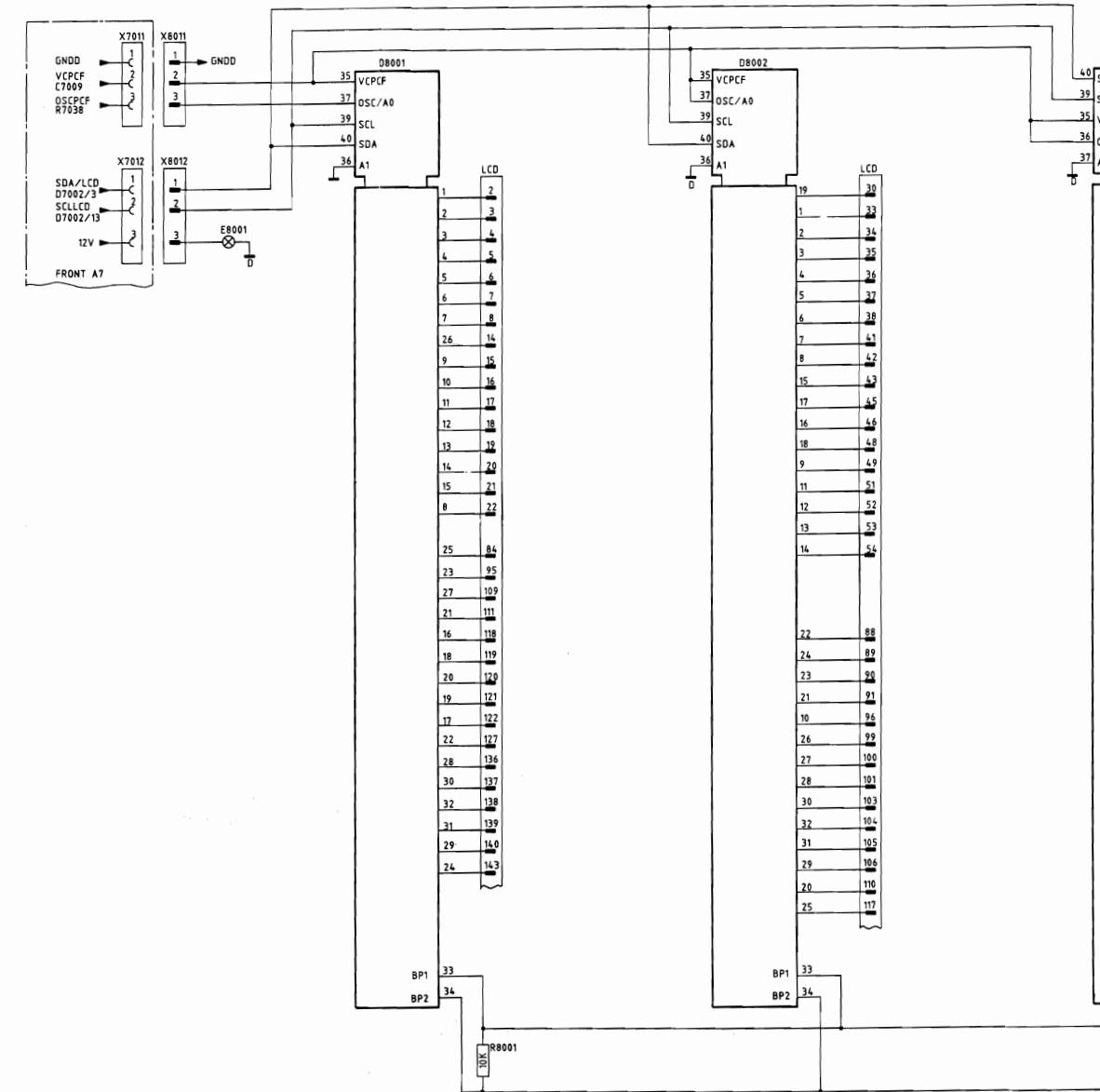
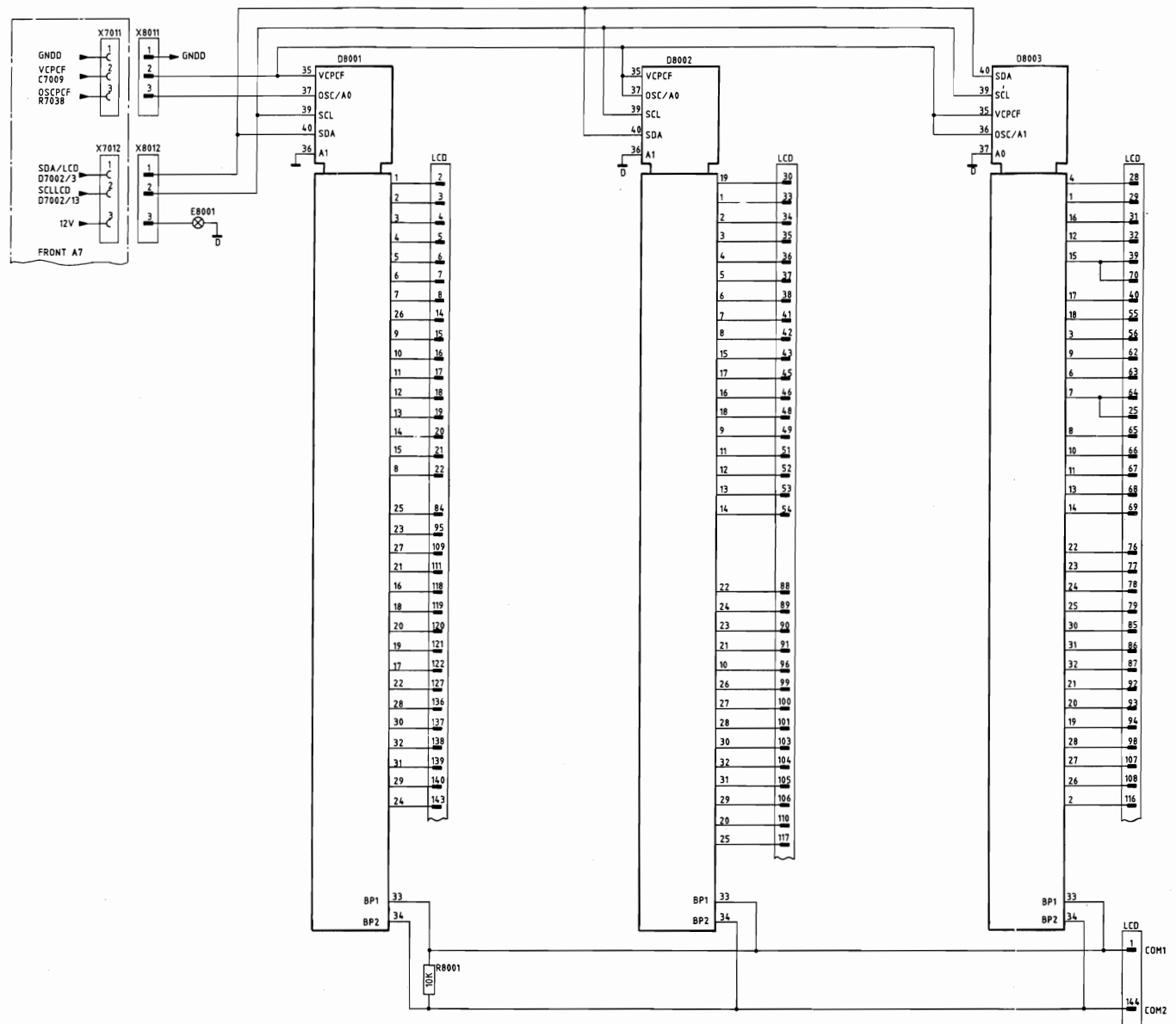


Figure 10.4 LCD unit p.c.b.



REF NO	TYPE	+
D8001	PCF8577	38
D8002	PCF8577	38
D8003	PCF8577	38



REF NO	TYPE	QTY
DB001	PCF8577	38
DB002	PCF8577	38
DB003	PCF8577	38

LCD				
PIN	COM1		COM2	
	DISPLAY	SEGMENT	DISPLAY	SEGMENT
144				
143		x1		INV
142	NC		NC	
141	NC		NC	
140	1	a	1	f
139	1	g	1	e
138	1	c	1	d
137	1	b		P1
136		ALT		A
135	NC		NC	
134	NC		NC	
133	NC		NC	
132	NC		NC	
131	NC		NC	
130	NC		NC	
129	NC		NC	
128	NC		NC	
127		x2		INV
126	NC		NC	
125	NC		NC	
124	NC		NC	
123	NC		NC	
122	3	a	3	f
121	3	g	3	e
120	3	c	3	d
119	3	b		P2
118		TRIG D		NOT
117				TRIG
116		TRIG		AUTO
115	NC		NC	
114	NC		NC	
113	NC		NC	
112	NC		NC	
111		x4		x3
110	5	g	5	e
109	5	c	5	d
108	6	g	6	e
107	6	c	6	d
106	7	g	7	e
105	7	c	7	d
104				MAGN
103		2		4
102	NC		NC	
101		10		8
100		EXT		A
99		DC		P-P
98		y10,TV		y9
97		y4		y7,y8
96				y5,y6
95				DIGITAL MEMORY
94		y1		y2,y3
93	8	g	8	e
92	8	c	8	d
91	9	g	9	e
90	9	c	9	d
89	9	b		P4
88	10	g	10	e
87	10	c	10	d
86	10	b		P7
85	11	c	11	d
84		LOCK		REG
83	NC		NC	
82	NC		NC	
81	NC		NC	
80	NC		NC	
79		12		11
78		13		14
77		14		15
76				REMOTE
75	NC		NC	
74	NC		NC	
73	NC		NC	

H8002

INV 8.8 nV ACDC

A LEVEL VIEW ALT

B ADD CHOP

INV 8.8 nV ACDC

NOT TRIG'D ARMED

TB X-DEFL MULTI

AUTO TRIG SINGLE

* 8.8 ms

> 8.8 μs

MAGN 32481016

AEXTBACDC LINE

P-PDCTV LFHF

DIGITAL MEMORY

8.888 mV DIV

REG STATUS ROLL

LOCK DOTS PLOT

0 1/2 1

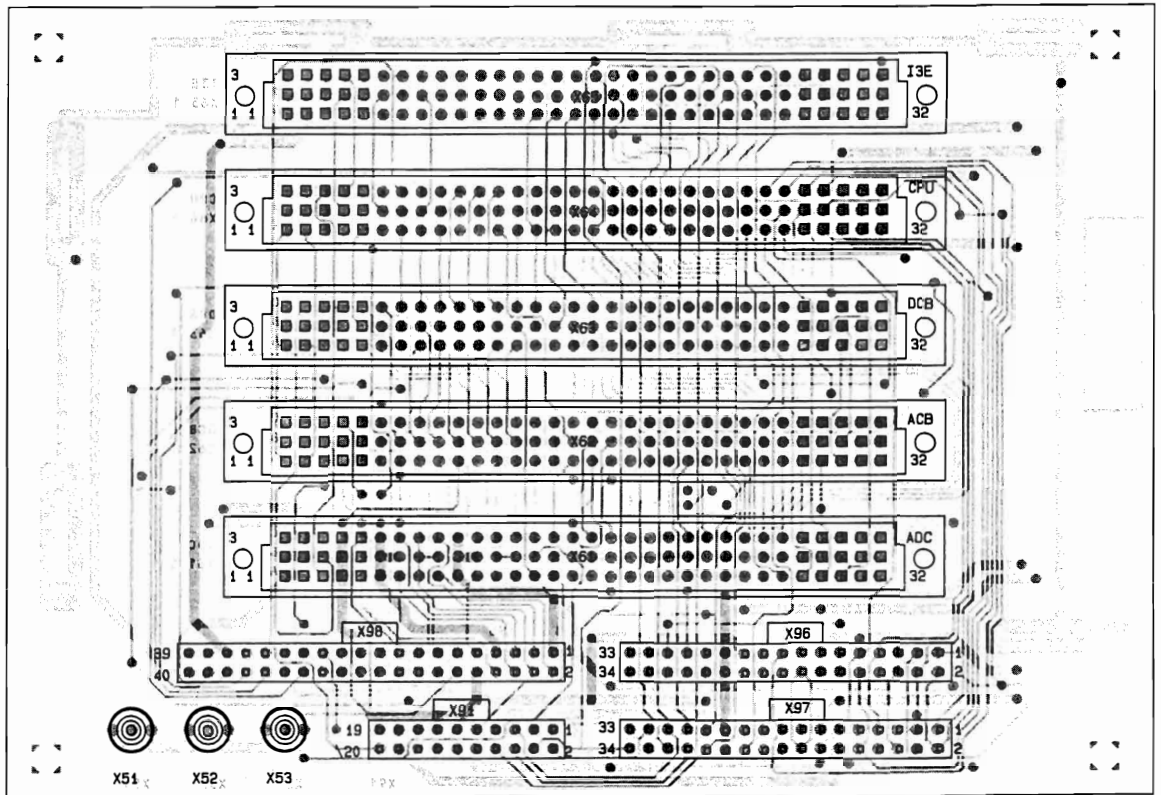
REMOTE MENU

LCD				
PIN	COM1		COM2	
	DISPLAY	SEGMENT	DISPLAY	SEGMENT
1				
2		COM1	2	f
3		a		
4	2	g	2	e
5	2	c	2	d
6				
7		V		<
8		DC		AC
9	NC		NC	
10	NC		NC	
11	NC		NC	
12	NC		NC	
13	NC		NC	
14		CHOP		B
15		ADD		LEVEL VIEW
16	4	a	4	f
17	4	b		
18	4	g	4	e
19	4	c	4	d
20				
21		V		<
22		DC		AC
23	NC		NC	
24	NC		NC	
25	NC		NC	
26	NC		NC	
27	NC		NC	
28		ARMED		X-DEFL
29		MULTI		
30		SINGLE		
31	5	a	5	f
32	5	b		P3
33	6	a	6	f
34	6	b		P4
35	7	a	7	f
36	7	b		
37				
38	s		s	u
39	s		s	
40	16		16	x9
41	x5		x8	
42	x6		x7	
43	LINE		DC	
44	NC		NC	
45	B		AC	
46	LF		HF	
47	NC		NC	
48	a		8	f
49	b		8	P5
50	NC		NC	
51	a		9	f
52	10		10	f
53	11		11	f
54	11			
55	11	s	11	e
56	mV		DIV	
57	NC		NC	
58	NC		NC	
59	NC		NC	
60	NC		NC	
61	NC		NC	
62		PLOT		ROLL
63		DOTS		STATUS
64	0,1,2,17,21			
65	x15		x16	
66	x14		x13	
67	x11		x12	
68	x10		x9	
69	x7		x8	
70			MENU	
71	NC		NC	
72	NC		NC	

MAT3016
871016

Figure 10.5 Circuit diagram of LCD unit

11. MOTHERBOARD UNIT



MAT3018
871016

Figure 11.1 Motherboard unit p.c.b.

12. **OPTIONS (A11)**

The optionslot on the Motherboard (connector X65) is reserved for optional expansions for this instrument.
Description of the option will be given in separate manuals.

13. CPU UNIT (A12)

13.1 INTRODUCTION

This unit mainly consists of a powerful 68008 microprocessor configuration with PROM, address decoders, I/O buffers and a clock generator. The microprocessor runs at a clock frequency of 8 MHz. The microprocessor has an asynchronous bus structure with a 20-bit address bus and an 8-bit databus. Asynchronous means that the microprocessor waits for a "data acknowledge" signal before continuing. This enables the microprocessor to handle different access times in the circuit.

To provide specific serial data transfer possibilities, the microprocessor system also contains an I²C bus interface. The I²C bus is for 2-way, 3-line communication between different ICs or modules. The three lines are a serial data line (SDA), a serial clock line (SCL) and ground. Both lines must be connected to a positive supply via a pull-up resistor when connected to the output stages of a device. Data transfer may be initiated only when the bus is not busy.

13.2 MEMORY MAP

Only a part of the complete address range is used, according to the following memory map. The map gives also the memory select signals, generated by device D201.

Address (hex)	Decoding	Signal	Connected to
00000 1FFFF	ROM1	ROM1CSLT	D216-24
20000 3FFFF	ROM2 (not used)	ROM2CSLT	-
40000 40000 48000 50000 5FFFF 58000	RDIC0-LT WRIIC-LT RDIC1-LT MFOUT-LT - - RSPLT-LT -	MFIOCSLT	D202-4
60000 7FFFF	RAM	RAMCS-LT	D217-20
80000 9FFFF	IEEE (optional)	IEEECSLT	D116-8
A0000 BFFFF	TIMER	TMRCS-LT	D218-21
C0000 C0000 D0000 DFFFF	Digital control DAC	DCPTCSLT	D213-1 and D213-12
E0000 FFFF	various	DSOCS-LT	D314-7

The signal MFIOCSLT is decoded again by D202. When RDWR--HT is high, this determines the read status of the decoded signals; when it is low this determines the write status. The coding of MFIOCSLT is as follows:

Address range (Hex)	Read	Write
40000-47FFF	RDIC0-LT	WRIIC-LT
48000-4FFFF	RDIC1-LT	MFOUT-LT
50000-57FFF	-	-
58000-5FFFF	RSPLT-LT	-

The signal DCPTCSLT is decoded by D213 and, controlled by A16, gives the DACCS-LT and DGPTCS-LT signals.

The signal DSOCS-LT is applied to the DCL unit A13 and selects among other things the acquisition RAM or the display RAM.

13.3 CIRCUIT DESCRIPTION

The microprocessor D214 is connected via the DATA bus D0...D7 to the PROM D216, to the RAM D217, to the TIMER D218 and to the DCL unit A13. D216 contains 128K x 8 Read Only Memory, while D217 contains 8K x 8 Random Access Memory. Both devices are addressed via the ADDRESS bus.

The TIMER D218 consists of three separate timers which are controlled by the microprocessor:

- GATE 0 forms the delay counter
- GATE 1 forms the read-out counter
- GATE 2 forms the slow time base counter

After the timer has counted the value determined by the value on the data bus, the output becomes low.

The C-BUS DECODER decodes the DLEN signals for the various circuits at the time that the signal MFOUT-LT is low. It gives the following decoding:

Address (Hex)	Signal
48000	DLENP-HT
48001	DLENT1-HT
48002	DLENT2-HT
48003	VERIIC-HT
48004	DLENY-HT
48005	DLENB-HT
48006	DLENX-HT
48007	DLENA-HT

Note that for servicing, soldering joints are added in the p.c.b. tracks connecting the circuits. These can be used to localize a fault in the I²C bus by means of interrupting the bus connection.

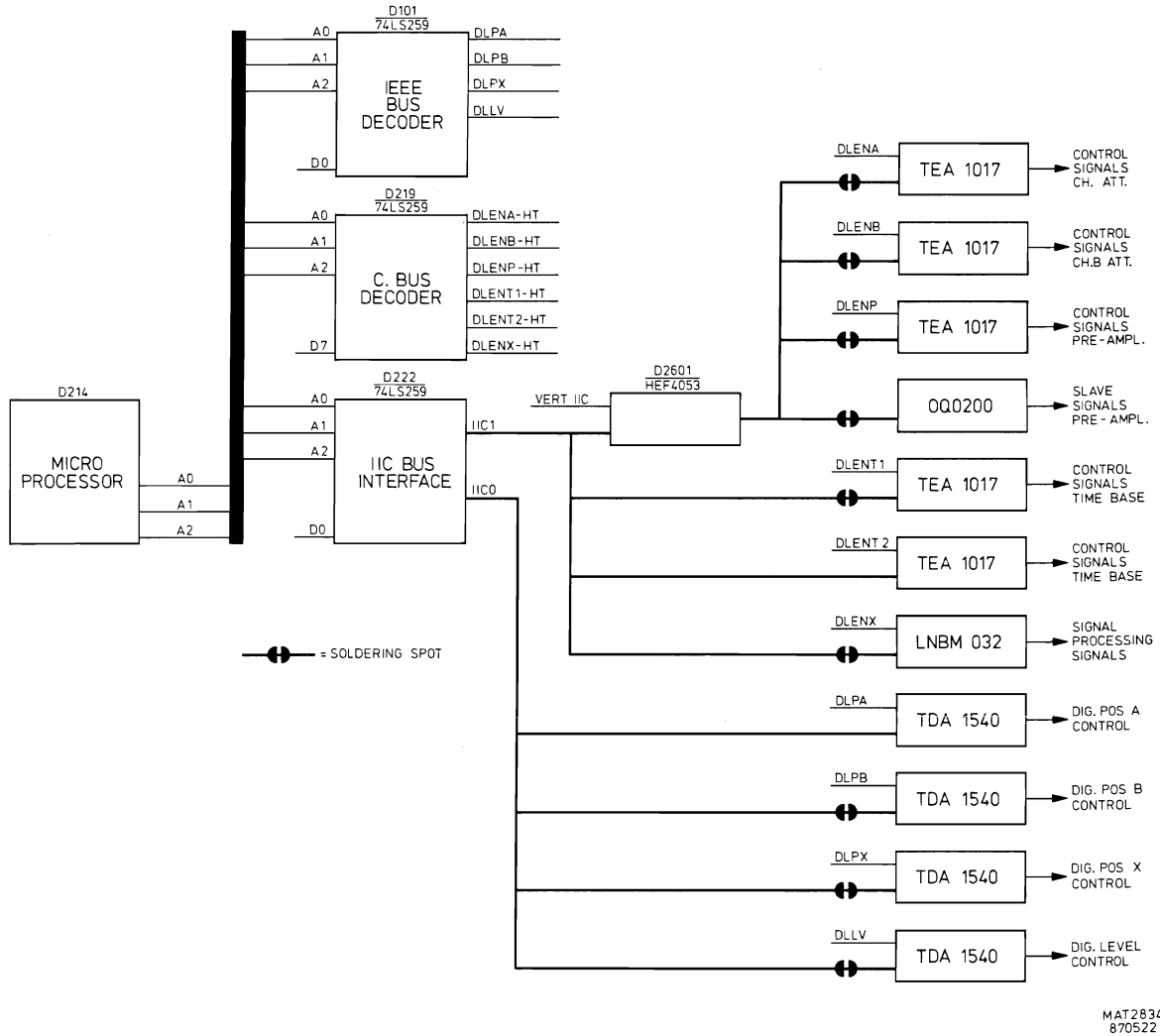


Figure 13.1 I²C bus structure

The IIC bus interface D222 decodes the I²C bus and other signals at the time when WRIIC-LT is low. It gives the following decoding:

Address	Signal	Description
40000	SDA	Serial data
40001	SCL	Serial clock
40002	SEL0	Selection I ² C bus 0
40003	SEL1	Selection I ² C bus 1
40004	-	-
40005	RSNT-HT	Resets 20 ms timer D207
40006	WTDG-HT	Watchdog control
40007	MEMON-HT	Memory on signal

Next the signals SDA, SCL, SEL0 and SEL1 are decoded to the I²C 0 bus and I²C 1 bus by D223.

The STATUS INPUT device D221 serves as an input port to read the following status info:

- SWR---HT
- DELTRGLT, indication for delay trigger input
- SCL 1 ,
- SDA 1 , indication for I²C 1 bus
- SDA 0 ,
- SCL 0 , indication for I²C 0 bus
- TEST0-HT, indication for triggered mode
- NOPT--HT, adapts the software for optional expansions

When the enable inputs RDIC0-LT and RDIC1-LT become low, the status input is read and copied in the accumulator of the microprocessor via the data bus.

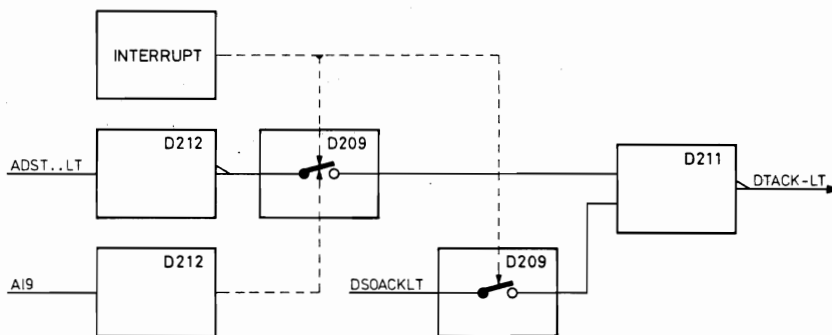
The CLOCK GENERATOR consists of a complete integrated oscillator of 16 MHz (G201) and a number of divider stages.

The table below gives the frequency of the generated signals.

Name	Frequency
DSOCLK	16 MHz
CPUCLK	8 MHz
IEEECLK	8 MHz
INTCLK	160 kHz

The 20 ms interrupt device D207 interrupts the microprocessor each 20 ms so that a new screen can be written.

The DTACK GENERATOR basically consists of D212, D209 and D211.



MAT2817
870522

Figure 13.2 DTACK generator

The microprocessor generates the address strobe ADST--LT as a message that the address put on the address bus is valid. This signal is applied D212-3 and converted into the data acknowledge DTACK-LT signal. This signal indicates that the data is valid.

The DTACK-LT signal can be interrupted in two ways:

- display interrupt; this starts writing a new trace A, B, RA or RB. Now FC0, FC1 and FC2 are high with the result that a low level is applied to D209-13. This blocks the ADST path.
- 20 ms interrupt, this starts writing a new screen. When address line A19 is high, a low level is applied to D209-2 which also blocks the ADST path. Now DSOACKLT controls the DTACK-LT pulse via D211-3 or D206 takes care for a peripheral acknowledge.

The MICROPROCESSOR RESET circuit consists of the power-up reset and the watchdog circuit.

After switching-on, transistor V204 conducts so that the RESET-LT and HALT-LT signals are low, initiating the main program. After the supply voltages are within their specifications the signals are released and the microprocessor is ready for use.

The WATCHDOG is a facility to control the correct function of the software. In normal condition the WTDG--HT is high; this causes capacitor C201 to charge. But each 1,5 s the WTDG--HT is low for a short moment so that C201 is discharged again. When the WTDG--HT signal is not active high, C201 will charge until D203-13 is low so that D203-11 goes high. This results in V203 conducting so HALT-LT and RESET-LT become low, thus initiating the main program again.

13.4 SIGNAL NAME LIST

Signal name	Description	Signal source	Signal destination(s)
A0...16	Address bus	D214	D216 - D217 - D301 - D302
ADST-LT	Address strobe	D212	D214
CPUCLK	CPU clock	D204	D214
CVCNRYLT	Conversion counter ready	D218	D403 - D406
D0...7	Data bus	D214	D218 - D116 - D303
DACCS-LT	Digital analog conversion chip select	D213	D101
DCCLK	Delay counter clock	R886	D218
DELTRGHT	Delay trigger	D314	D221 - D402
DGPTCSLT	Digital pot.meter chip select	D213	D102
DLENA-HT	Data latch enable ch. A	D219	X9616 - X9716
DLENB-HT	Data latch enable ch. B	D219	X9618 - X9718
DLENP-HT	Data latch enable pre-amplifier	D219	X9614 - X9714
DLENT1HT	Data latch enable time base 1	D219	X9613 - X9713
DLENT2HT	Data latch enable time base 2	D219	X9617 - X9717
DLENX-HT	Data latch enable X	D219	D412
DSOACKLT	Digital storage osc. acknowledge	D314	D209
DSOCLK	Digital storage osc. clock	R226	D314
DSOCS-LT	Digital storage chip select	D201	D314
DSPLNTLT	Display interrupt	D314	D214 - R217
DTACK-LT	Data acknowledge	D211	D214
DTST-LT	Data strobe	D214	D201 - D202 - D206 - D213 - D314 - D316
DTTC-LT	Delay trigger terminal count	D218	D801

Signal name	Description	Signal source	Signal destination(s)
EDC--LT	Enable delay counter	R401	D221 - D801
ENCVCNHT	Enable conversion counter	D406	D218
FC0...2	Functional code 0...2	D214	D209
HALT-LT	Halt	V207	D214
IACK-LT	Interrupt acknowledge	D212	D201 - D209 - D211
IEEECLK	IEEE clock	D204	D116
IEEECSLT	IEEE chip select	D201	D208
IPL20-LT	Interrupt priority level	D208	D214
MFIOCSLT	MF input/output chip select	D201	D202
MFOUT-LT	MF output enable	D202	D219
MEMON-HT	Memory on	D222	R601 - R602
RAMCS-LT	Ram chip select	D201	D217
RDICO-LT	Read IIC bus 0	D202	D221
RDIC1-LT	Read IIC bus 1	D202	D221
RDWR-HT	Read/ Write	D303	D212 - D214 - D306 - D309
READ-LT	Read	D213	D218
REST--HT	Reset	N201	D116 - D314 - D318
RESET-LT	Reset	V208	R191 - D214 - D318
ROM1CS-LT	ROM 1 chip select	D201	D216
ROM2CS-LT	ROM 2 chip select	D201	--
RSNT-HT	Reset interrupt	D222	D207
RSTACQLT	Reset acquisition	D202	D402 - D403
SCL	Serial clock	D222	D223
SCLO	Serial clock 0	D221	D223 - N102 - D7001 - D7002
SCL1	Serial clock 1	D223	D221 - D412
SDA	Serial data	D222	D223
SDAO	Serial data 0	D221	D223 - N101 - D7001 - D7002
SDA1	Serial data 1	D223	D222 - D412
SELO	Select 0	D222	D223
SEL1	Select 1	D222	D223
SWR---HT	Sweep ready	D403	D221
SWTB	Slow time base	D218	D412 - D801
SWTBCLK	Slow time base clock	D409	D218 - D411
TBSYNCHT	Time base synchronisation	D403	D218
TESTO-HT	Test out	D4103	D221
TMRCS-LT	Timer chip select	D201	D208 - D218
VERIICHT	Vertical IIC select	D219	D2601
VLPRADLT	Valid peripheral address	D212	D214
WRIIC-LT	Write IIC	D202	D222
WRITE-LT	Write	D213	D116 - D217 - D218
WTDG	Watchdog	D222	R200

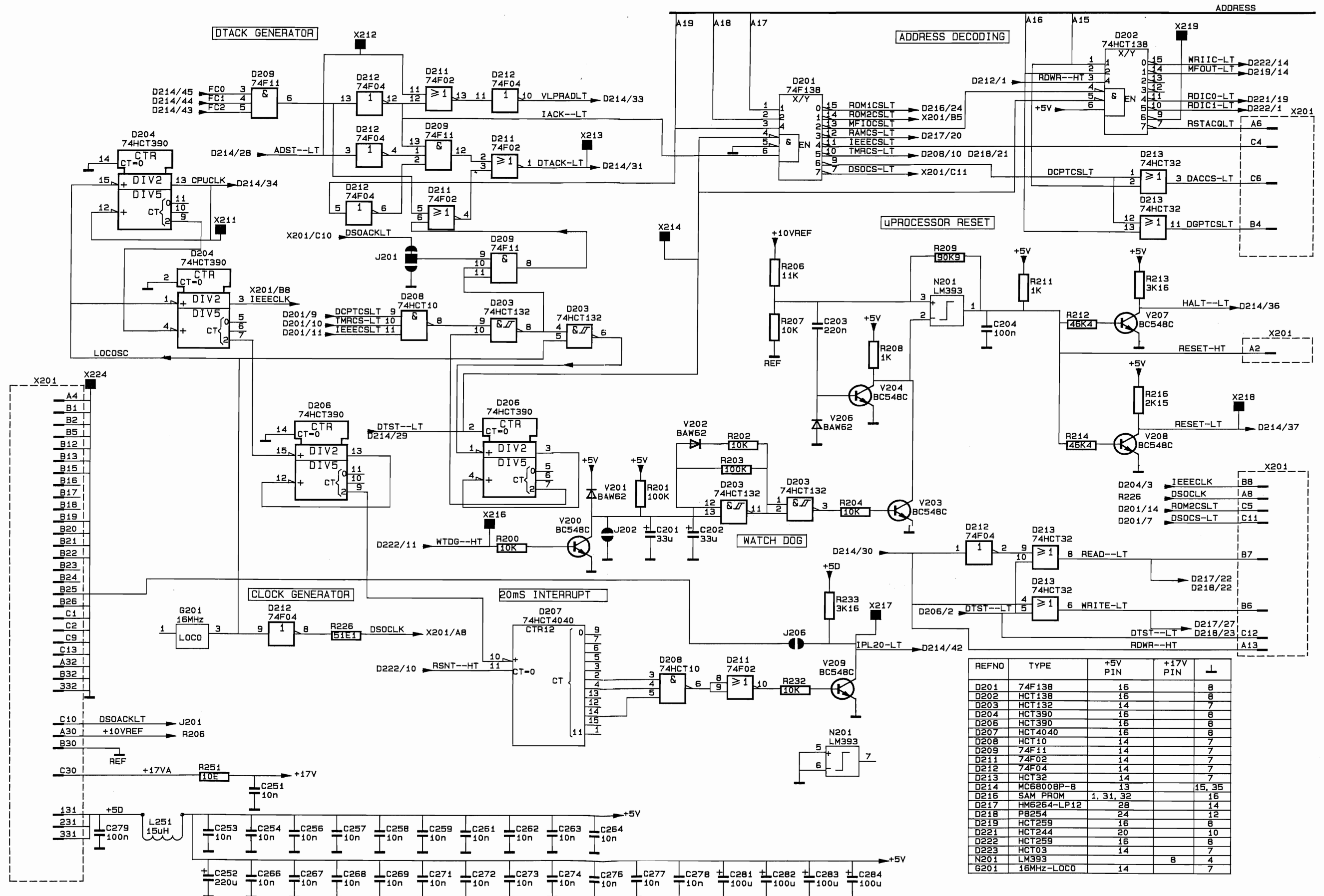


Figure 13.3 Circuit diagram of CPU unit, part 1

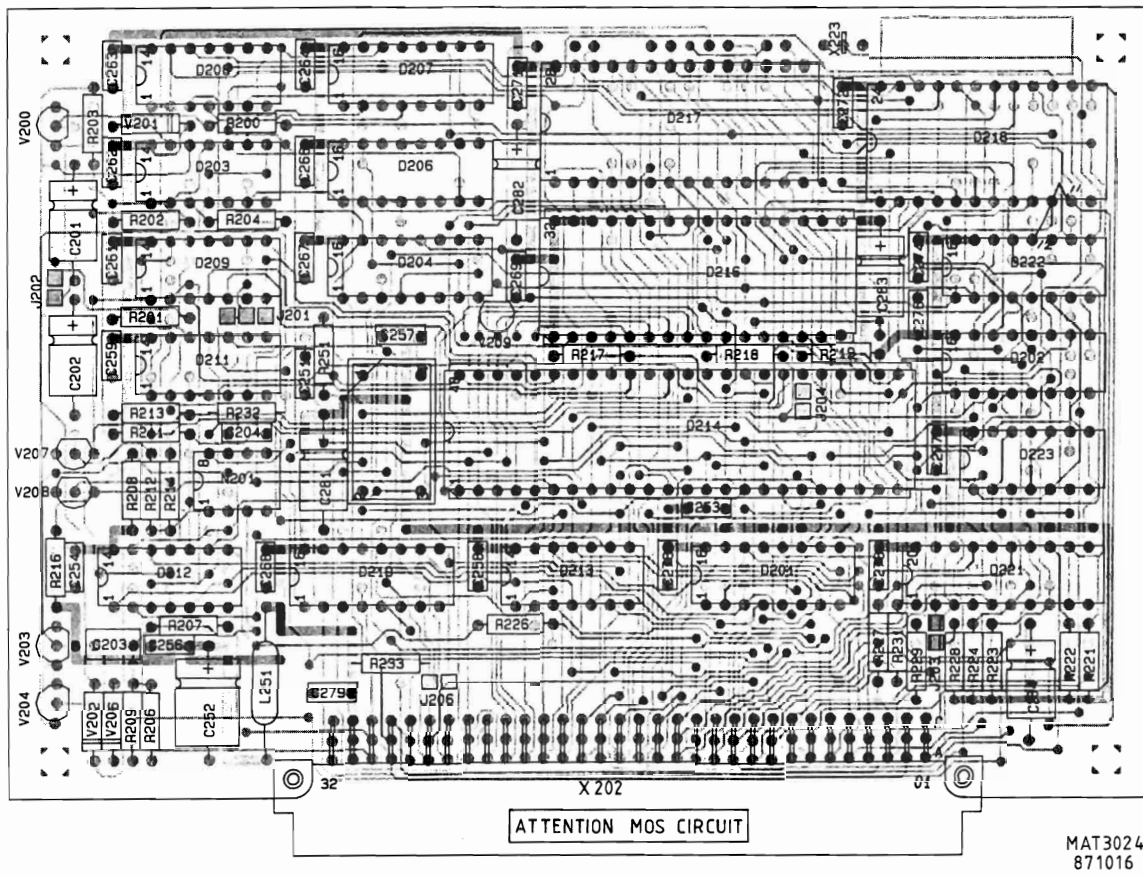


Figure 13.4 CPU unit p.c.b.

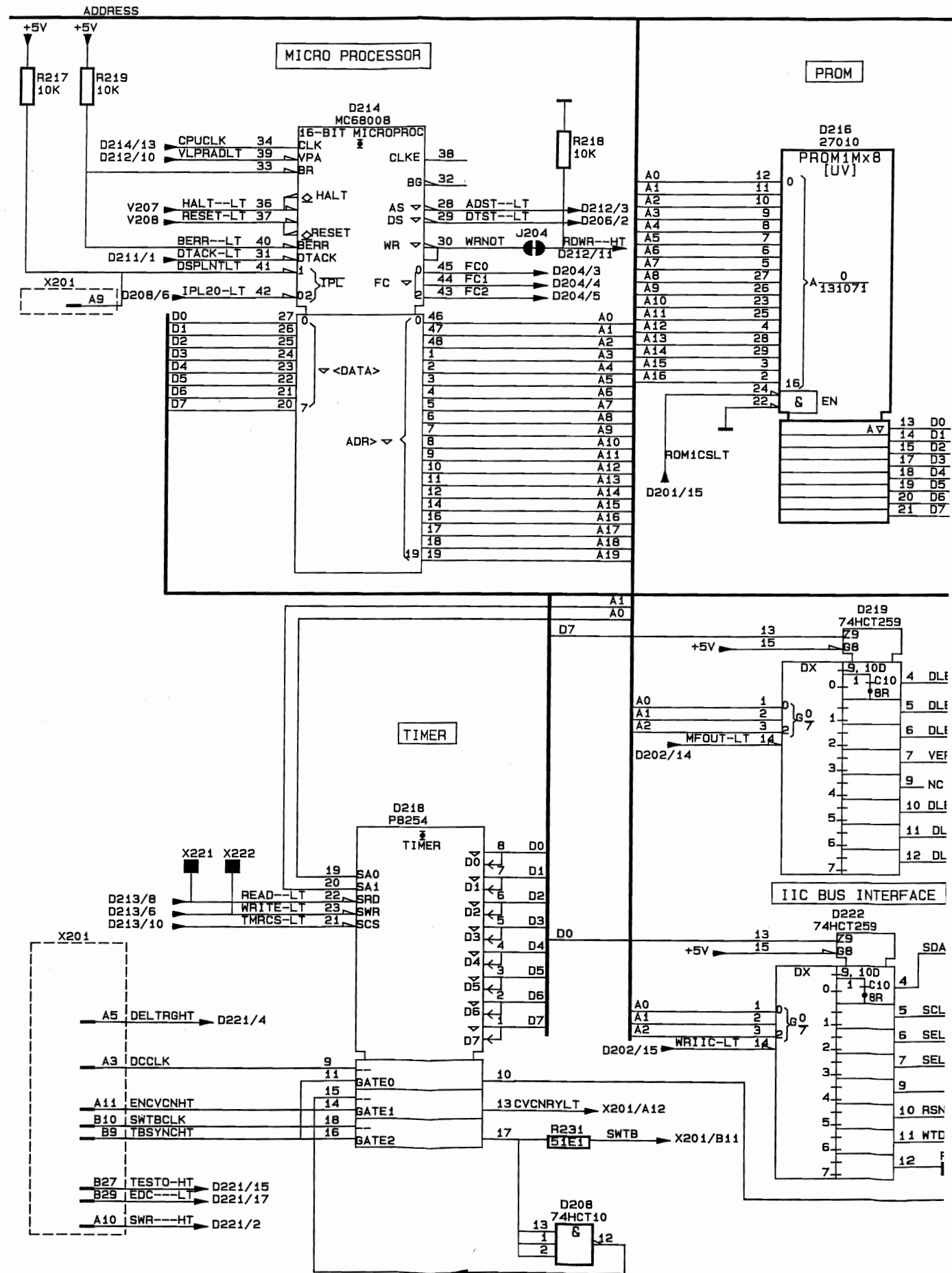


Figure 13.5 Circuit diagram of CPU unit, part 2

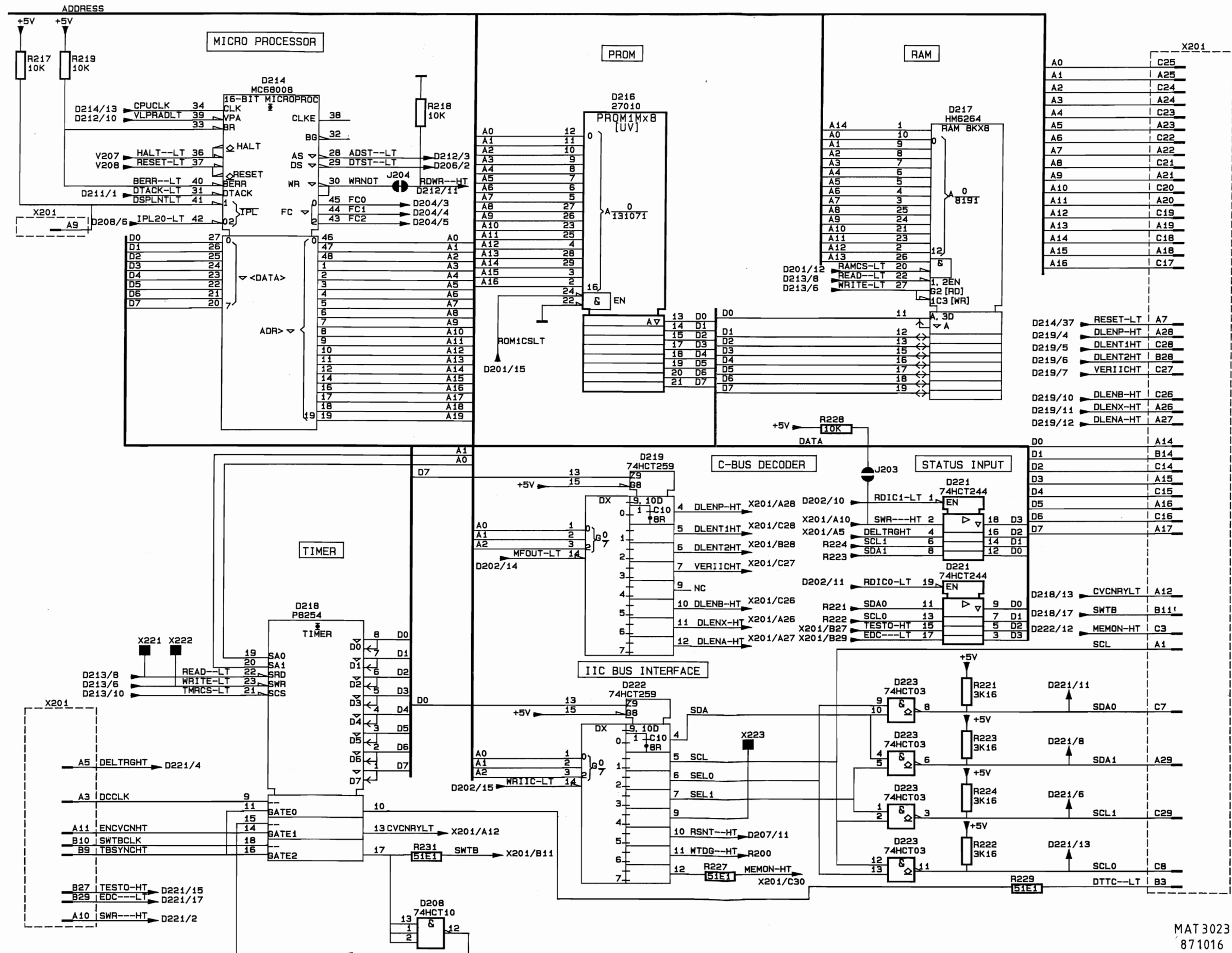


Figure 13.5 Circuit diagram of CPU unit, part 2

MAT3023
871016

14. DCL UNIT (A13)

The DCL unit consists of:

- acquisition memory with associated components
- display memory with associated components
- control array
- dots + plotter control

14.1 ORGANISATION OF THE MEMORY

The memory consists of a 8k x 8 static RAM (Random Access Memory) D308, and a 32k x 8 static RAM D304. D308 is called the acquisition memory.

D304 is called the display memory. This device is divided into:

- 4k byte trace memory
- 4k register back-up memory
- 4k text memory

ACQUISITION MEMORY	NOT USED	DISPLAY MEMORY			NOT USED
4k	4k	TRACE MEMORY	REGISTER MEMORY	TEXT MEMORY	20k
		4k	4k	4k	

MAT2818
870522

Figure 14.1 Organisation of the memory

Notice that the display memory is provided with a battery back-up circuit. When the instrument is switched-off, the RAM D304 keeps the ZA14 address in memory, provided that the batteries are present.

Addressing of the memories is achieved by two counters, COUNTER 1 (D309) and COUNTER 2 (D306), or by the microprocessor. Both counters are divided in three similar 12-bit counters selected by the OS0-pin 32 and OS1-pin 31 inputs. The TC output pin 9 detects an overflow of a counter. These signals are applied to the control array D314.

14.2 INTRODUCTION TO THE SAMPLE TRANSPORTS

The digital processor unit must generate the timing signals for the following sample-transport:

- transport of signal samples from the ADC unit A15 to the acquisition memory.
- transport of signal samples from the acquisition memory to the display (trace) memory.
- transport of signal samples from the display (trace) memory to the CRT screen.
- Reading/writing of signal samples by the microprocessor from/to the display memory.

As well as the counters, the microprocessor is connected to the address bus ZA0...14. The microprocessor is buffered with a 14-bit tri-state buffer D301 and D302. The counters have access to the address bus sequentially. If a counter requires access to the address bus, this occurs in a certain time interval of 500 ns and is controlled by the signals SC0...SC4. SC2 and SC3 are inside the control array D314 and are not visible.

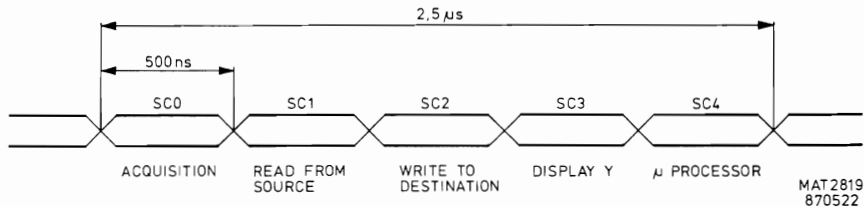


Figure 14.2 Display cycle controlled by SC0...4

The different sample transport are described separately in the next sections.

14.3 SIGNAL ACQUISITION

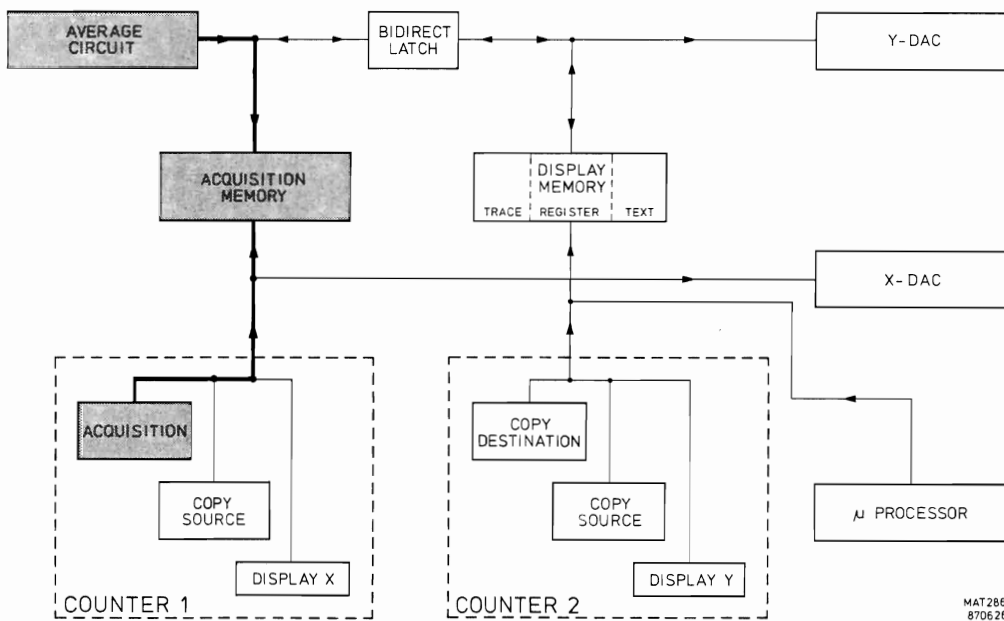


Figure 14.3 Block diagram of signal acquisition

During SC0 and if WRSMP is high the samples are taken from the average circuit on unit A14. These samples are put on the data bus PD0..7 and written in the acquisition memory D308. The addressing is obtained by the acquisition counter of D309.

14.4 COPYING SAMPLES FROM ACQUISITION MEMORY TO DISPLAY MEMORY

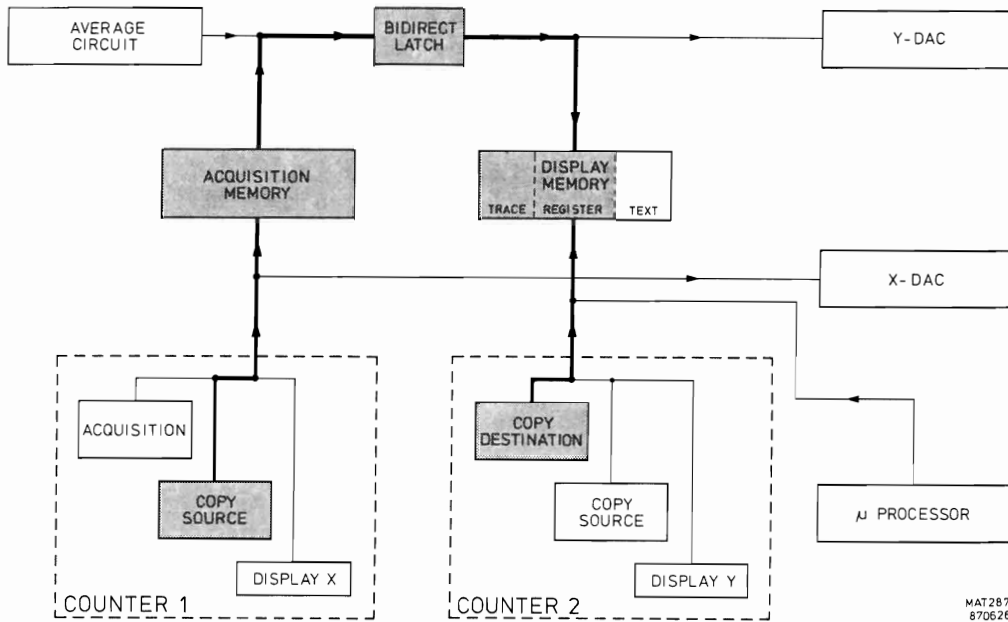


Figure 14.4 Block diagram of copying samples from acquisition memory to display memory

During SC1 the data from the acquisition memory is read by counter 1 D309 and is written into the bidirectional latch of D314. Then during SC2 the copy destination counter of D306 reads the data from the latch and writes this data into the display memory D304.

14.5 DISPLAYING OF TRACE AND REGISTER

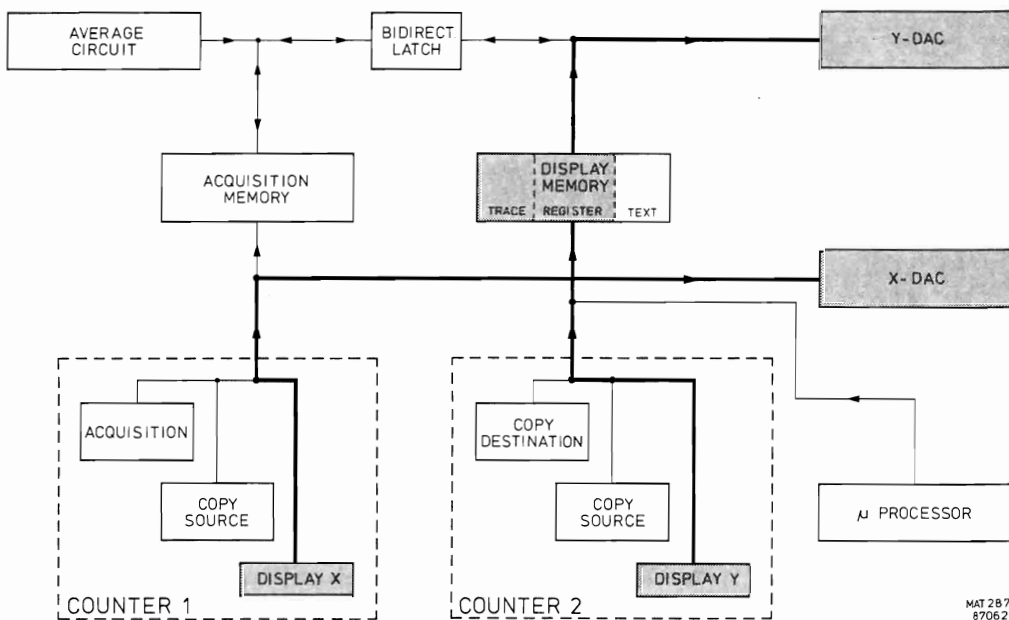


Figure 14.5 Block diagram of trace/register display flow

During SC3, the data from the display memory D304 is read by counter D306 and is written to the Y-DAC latch D413 on unit A14. The X address is determined by counter D309 and is latched in D311 and D312. These addresses are clocked by the signal XYDLE generated by D314.

14.6 MICROPROCESSOR MANIPULATION

During SC4 the signal DSOSEL-LT is low, provided that DCOCS-LT is also low. This means that the address lines A0...14 from the buffers D301 and D302 are enabled. At the same time the data from the microprocessor bus D0...7 is also enabled via D303. This data can influence all microprocessor controlled functions such as text, plot, dots, also addressed by the microprocessor. During SC4 the signal TOE-LT applied to pin 8 of D309 and D306 is high because both counters are in their tri-state condition.

For PLOT, the time that the data is written to the Y-DAC and the address is written to the X-DAC is adjustable in the service menu.

14.7 DISPLAYING OF TEXT AND CURSORS

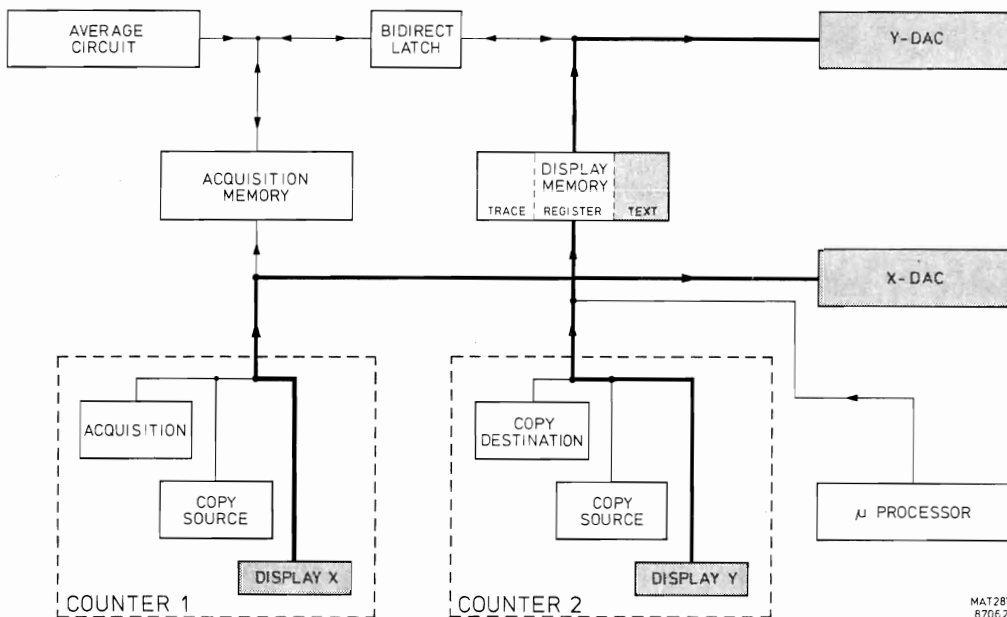
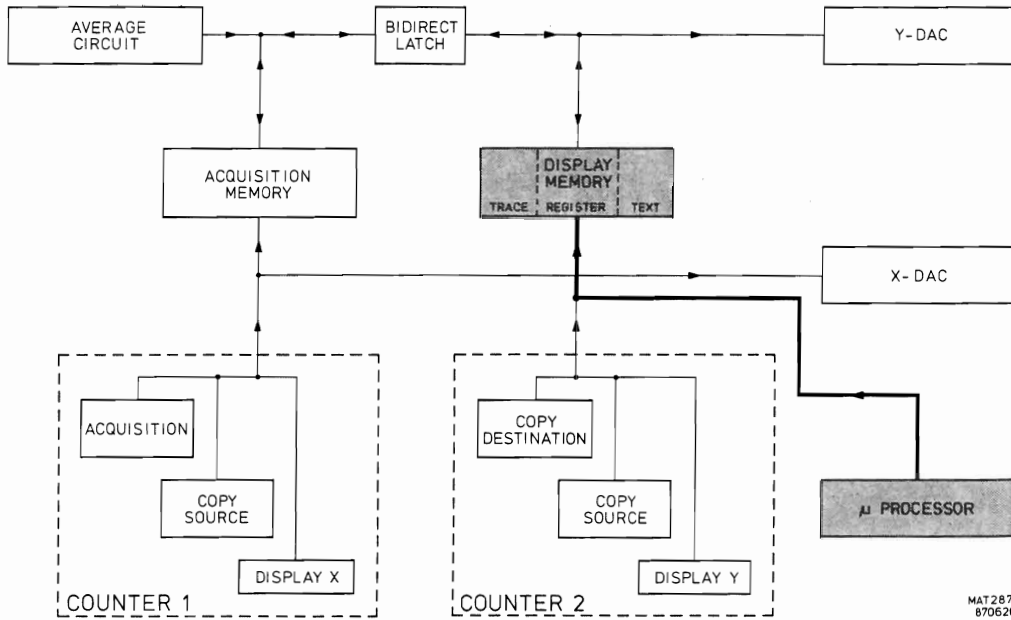


Figure 14.6 Block diagram of text/cursors display flow

The text is read from the display memory and addressed by the DISPLAY Y counter and DISPLAY X counter.

This text is displayed per vertical column. When the Y-DAC data has reached the control character \$FF, the display X counter receives a clock-pulse. This means that the next column is displayed.

14.8 CLEARING THE DISPLAY MEMORY



MAT2873
870626

Figure 14.7 Block diagram of the clear function

When the clear function is active by means of the microprocessor, the display memory is written with \$80 (\$00) by the C.P.U. This means that the complete display memory is cleared.

14.9 CLEARING THE ACQUISITION MEMORY

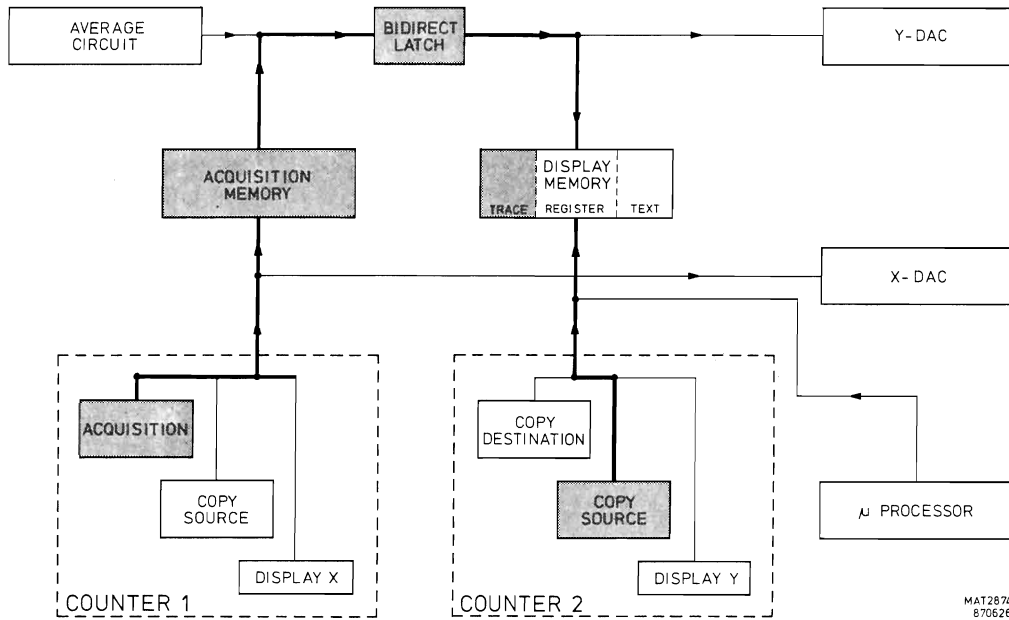


Figure 14.8 Block-diagram of the clear function

After the microprocessor has cleared the display memory, these samples are written into the bidirectional latch by means of the copy source counter of D306. Then the acquisition counter of D309 writes these samples from the latch into the acquisition memory.

14.10 EXOR D307

In P and D1 mode, the samples from the average circuit contain the samples from channels A and B and also the interpolated samples from channels A and B. This happens in the following sequence:

address	4095	0	1	2	3	4	5	6
sample	Ai	A	Bi	B	Ai	A	Bi	A

On behalf of the acquisition memory this sequence must be converted into:

address	4095	0	1	2	3	4	5	6
sample	Ai	Bi	A	B	Ai	Bi	A	B

The signal $INVA_{\emptyset-HT}$ is high for sample A and interpolated sample B. This signal is applied to input 10 of the exclusive OR-gate D307. The other input is connected to PA_{\emptyset} .

For address 0, input 9 is low; because of the high level of $INVA_{\emptyset-HT}$ the output pin 8 will be high.

For address 1, input 9 is high; because of the high level of $INVA_{\emptyset-HT}$ the output pin 8 will be low, etc.

Thus inverting of address line PA_{\emptyset} during sample A and interpolated sample B is obtained.

14.11 CHIP SELECT

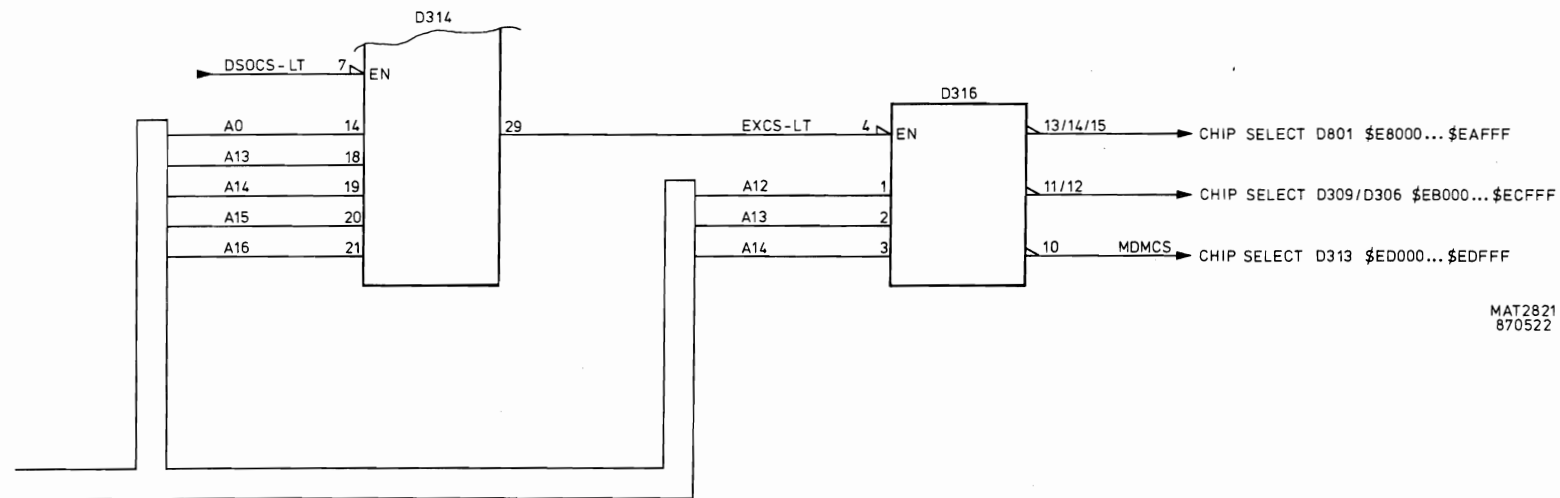
MAT2821
870522

Figure 14.9 Chip select circuit

The address lines A_0 and $A_{13}..A_{16}$ are applied to the control array D314 and enabled by the signal DSOCS-LT. The resulting enable signal EXCS-LT is low for the addresses $\$E8000..\$EFFFF$. This signal is applied to the decoder device D316 as an active low enable input. When low, depending on the addressing of $A_{12}..A_{14}$, a chip select output is active low. Three lines are used to select D801 on the P²CCD unit, two lines are used to select the two counters D306 or D309 and one line is used to select D313.

14.12 DOTS AND PLOTTER CONTROL

Addressed by $BA_0..BA_2$ which are simultaneously with $A_0..A_2$ the data on PD_0 is applied to one of the six output lines. These static lines DOTS-HT, PLOT-HT, PLFT, XPOSOF-HT, TRIGEN-HT and OSCON-LT control several functions in the instrument such as among other things, the DOTS and plotter.

14.13 TIMING DIAGRAM

The following figure gives the timing diagram for the gate array D314 for the display cycle.

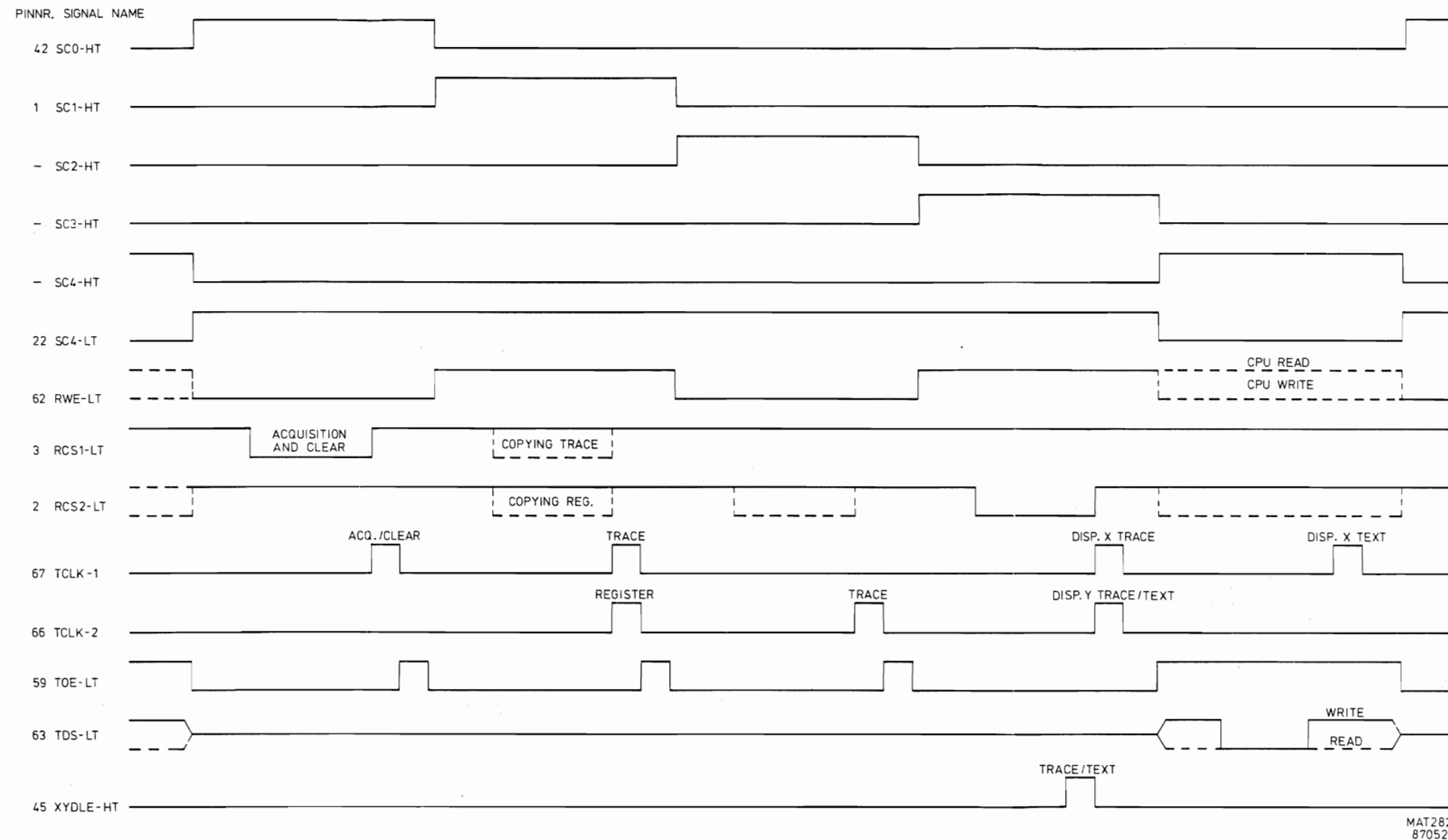


Figure 14.10 Timing diagram for D314

14.14 SIGNAL NAME LIST

Signal name	Description	Signal source	Signal destination(s)
A0...16	Address bus	D214	D216 - D217 - D301 - D303
BA0...2	Buffered address bus	D318	D306 - D307 - D313
D0...D7	Data bus	D216	D116 - D214 - D217 - D303
DATEN-HT	Data enable	D313	D416
DCWE-HT	Delay counter write	D316	D801
DLTRG-HT	Delay trigger	D402	D314 - D406
DOTS-HT	Control signal for dot join	D313	D503 - D505

Signal name	Description	Signal source	Signal destination(s)
DTST-LT	Data strobe	D214	D201 - D202 - D206 - D213 - D314 - D316
DSOACK-LT	Digital storage osc. acknowledge	D314	D209
DSOSEL-LT	Digital storage osc.	D314	D303
DSOCS-LT	Digital storage osc.	D201	D314
DSPINTLT	Display interrupt	D314	D214
EXCSLT	External chip select	D314	D316
INVAO-HT	Invert address 0	D407	D307
MDMCS-LT	MDM chip select	D316	D313
MDOE-LT	MD output enable	D314	D412
MIDCLK	MID clock	D314	D409
OLCLK-PT	Output logic clock	D314	D401 - D409
OS1-HT	Output select 1	D314	D306 - D309
OSCON	Oscillator on	D313	D401 - D406 - D801 - R862
POSXOF-HT	Control X POS	D313	R555
PDO...7	Buffered bidirectional tri-state data bus	D303	D309 - D413
PLOT-HT	Control signal plot	D313	D512
PLFT	Control signal penlift	D313	R614
RCS1-LT	RAM chip select 1	D314	D307
RCS2-LT	RAM chip select 2	D314	D318
RCS1B-LT	RAM chip select 1 buffered	D307	D308
RCS2B-LT	RAM chip select 2 buffered	D318	D304
RDWR-HT	Read/write	D214	D212 - D213 -
RESET-HT	Reset, high active	D318	D116 - R211 - R212 - R213 - D314
RESET-LT	Reset, low active	V208	R191 - D214 - D318
R/W	Read/ write	D303	D306 - D309 - D314
RWE-LT	RAM write	D314	D304 - D308
RSTHDS-LT		D314	D401
SCO-HT	State counter 0	D314	D407 - D408
SC1-HT	State counter 1	D314	D408
STWE-LT	Status write	D316	D801
TBWE-LT	Time base write	D316	D801
TC1	Terminal count 1	D309	D314
TC2	Terminal count 2	D306	D314
TCINN-PT	Terminal count in	D314	D404
TCS1-LT	Teller chip select 1	D316	D309
TCS2-LT	Tellerchip select 2	D316	D306
TCLK1	Teller clock 1	D314	D309
TCLK2	Teller clock 2	D314	D306
TDS-LT	Teller data strobe	D314	D306 - D309
TOE-LT	Teller output enable	D314	D306 - D309
TRIGEN-HT	Trigger enable	D313	D402 - D402 - D406
WRSMP-HT	Write sample	D412	D314
XDACO...9	Data for X DAC	D311/D312	N507
XYDLE-HT	X DAC and Y DAC latch enable	D311	D302 - D304
ZAO...14	Buffered tri-state address bus	D306	D302 - D304
ZON--LT	Control intensity	D314	D504
PAO...12	Buffered tri-state data bus	D309	D308

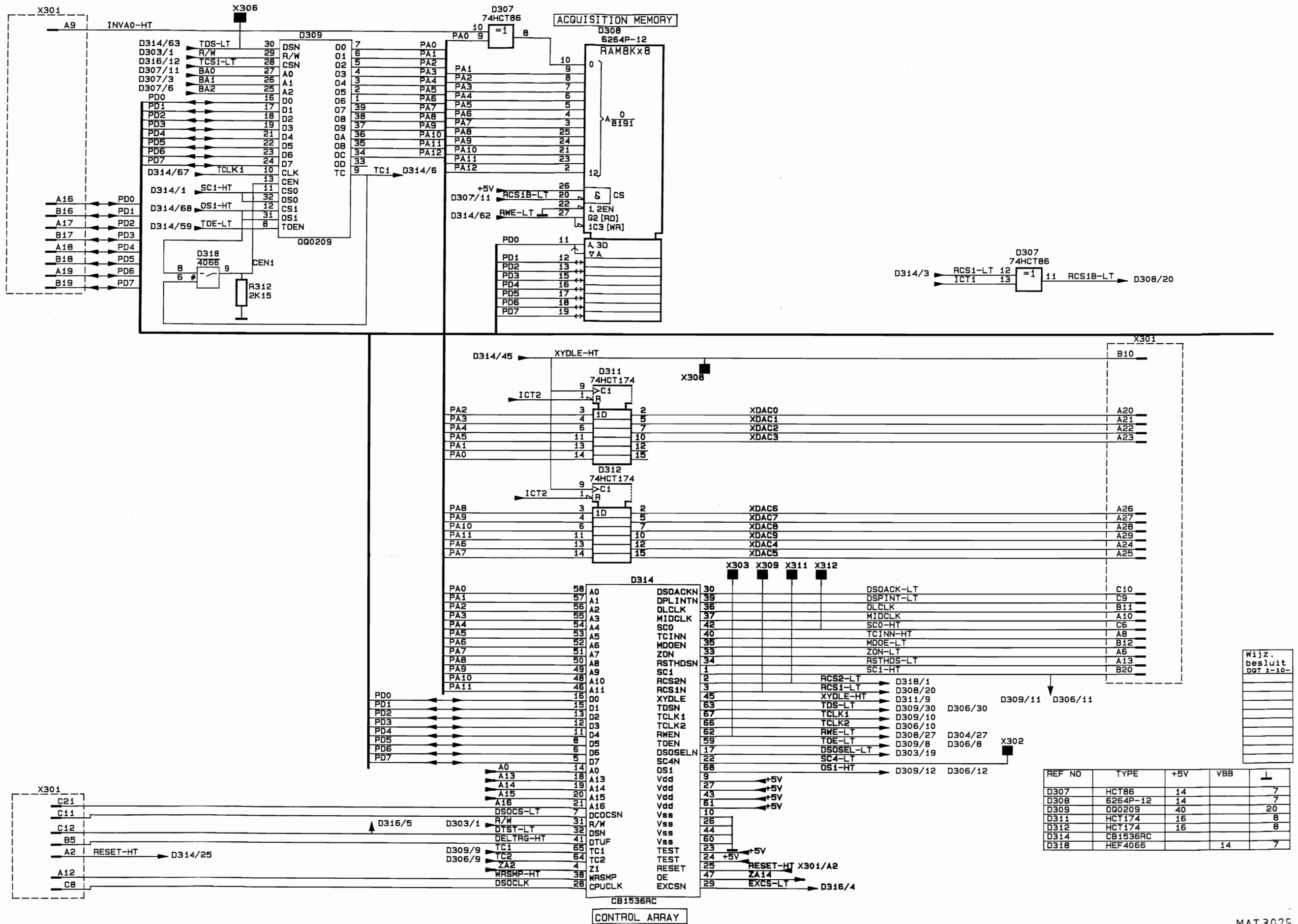


Figure 14.11 Circuit diagram of DCL unit, acquisition memory

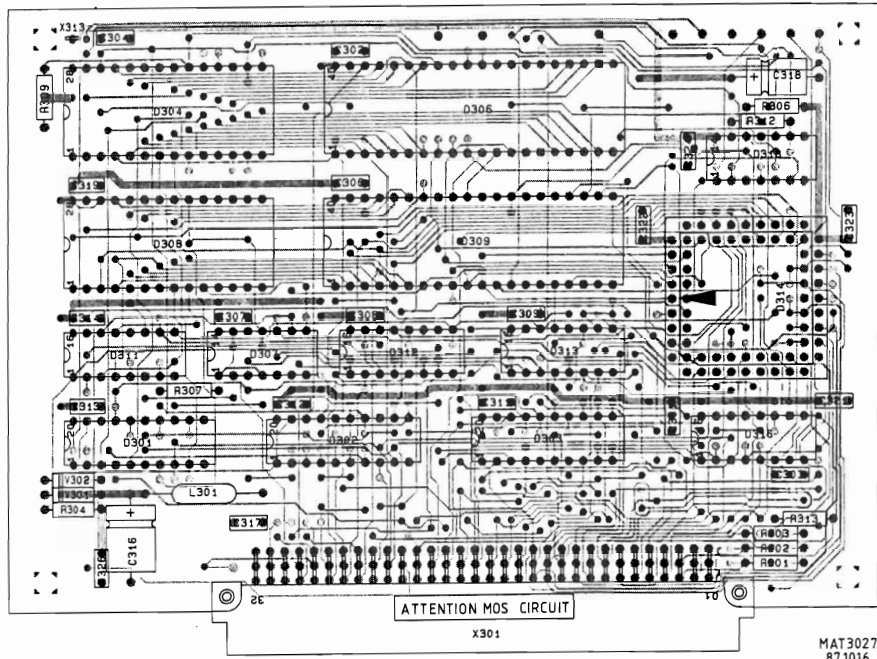


Figure 14.12 DCL unit p.c.b.

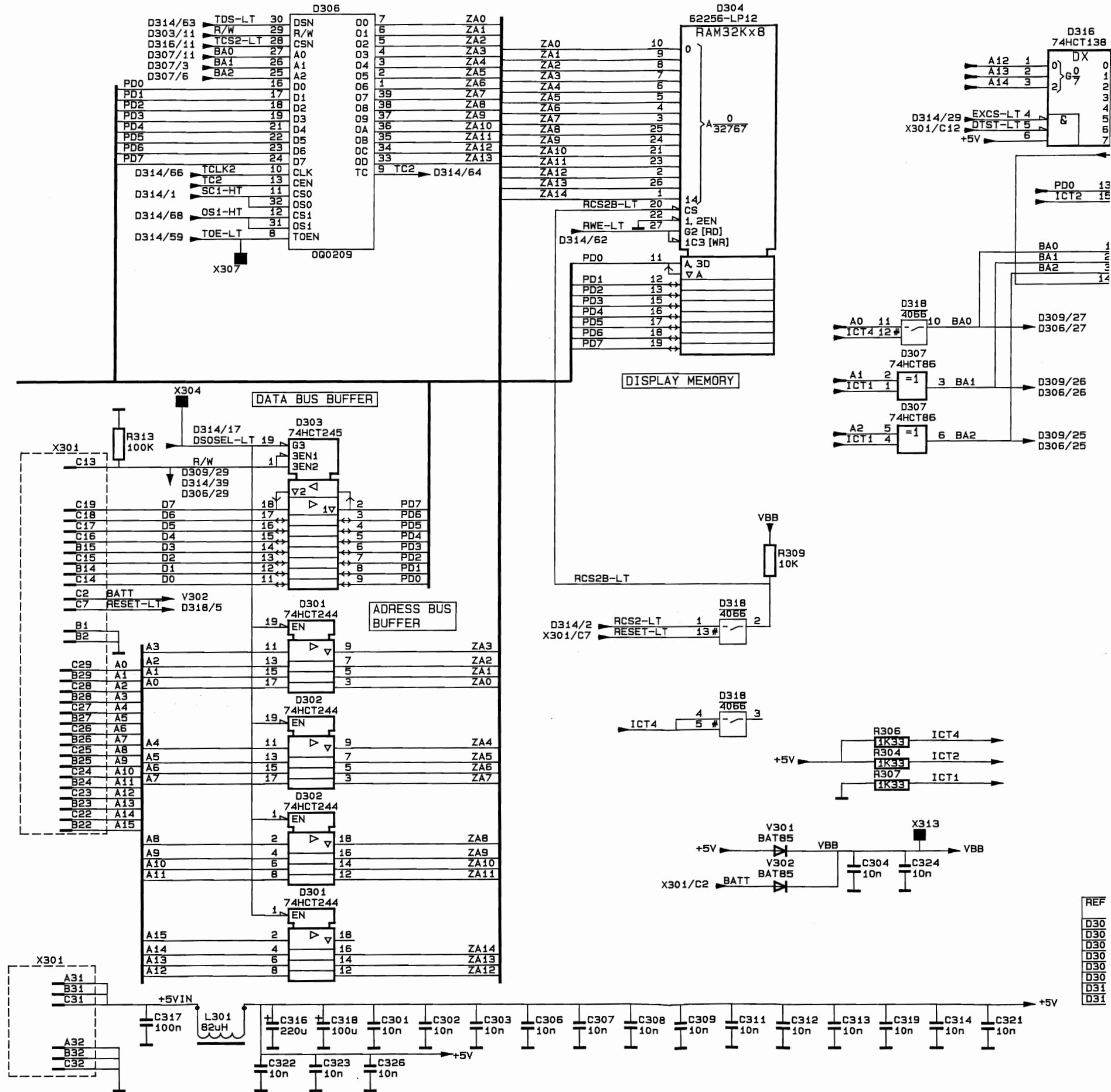
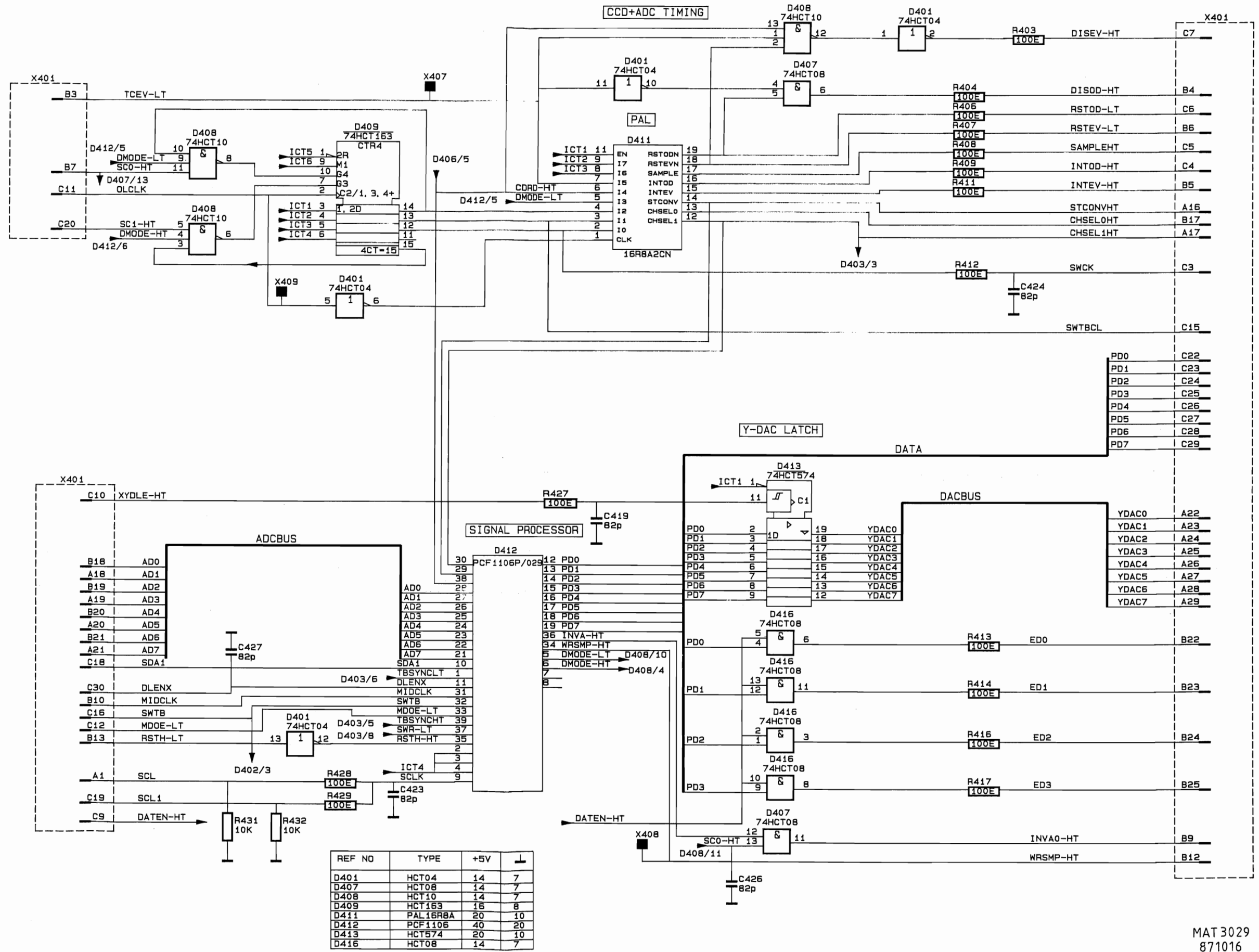


Figure 14.13 Ci:



MAT3029
871016

Figure 15.5 Circuit diagram of ACL unit, part 2

15. ACL UNIT (A14)

The ACL unit consists of:

- trigger control
- CCD + ADC timing
- average and interpolation circuit

15.1 TRIGGER CONTROL

The trigger control determines the start of the acquisition. A timing diagram of the trigger control is given in figure 15.1.

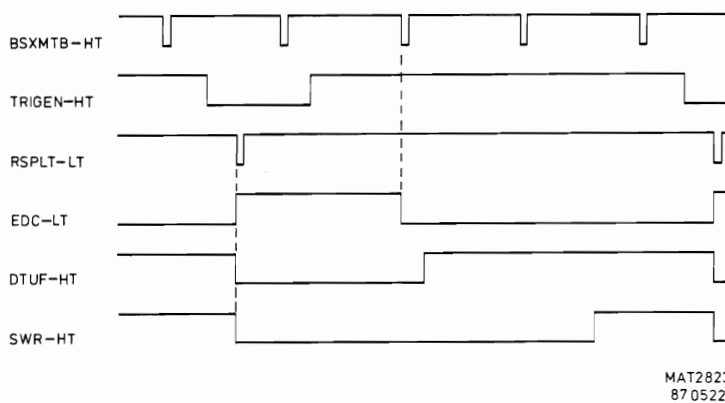


Figure 15.1 Timing diagram of the trigger control for $TB = 5 \text{ us}$ and $PRE-TRIG = 0$

At the moment that TRIGEN-HT is low and RSPLT-LT becomes low, flip-flops D403 and D404 are reset.

Now TCINN-LT, generated by the microprocessor, can go high after the acquisition counter has counted the pre-trigger value. Then TRIGEN-HT is high again so that the acquisition is enabled.

The high level of TCINN-LT clocks D404, as a result D404-9 is high and D404-2 is enabled waiting for a new trigger signal BSXMTB-LT. When this signal is low, then EDC-LT is low and starts the delay counter.

At the moment that the EDC has counted, signal DTUF-HT is high which enables D402 and therefore SWTB is clocked through.

15.2 CCD + ADC TIMING

The clock pulse OLCLK-HT is derived from D314. The pulse is 800 kHz for the P-mode and 640 kHz for the D-mode and is applied to the timer D409. Enabled by a high level on pin 10, this counter operates and the outputs Q0 (400/320 kHz), Q1 (200/160 kHz) and Q2 (100/80 kHz) are fed to D411. D408 serves for synchronisation between SCØ and WRSMP-HT.

The PAL (Programmable Array Logic) chip D411 generates several control pulses for the display logic.

The signals DISEV-HT, DISOD-HT, RSTOD, RESTEV, SAMPLE, INTOD and INTEV are fed to the P²CCD output circuit on unit A18. The signals STCONV-HT, CHSEL0-HT and CHSEL1-HT are fed to the ADC on unit A15.

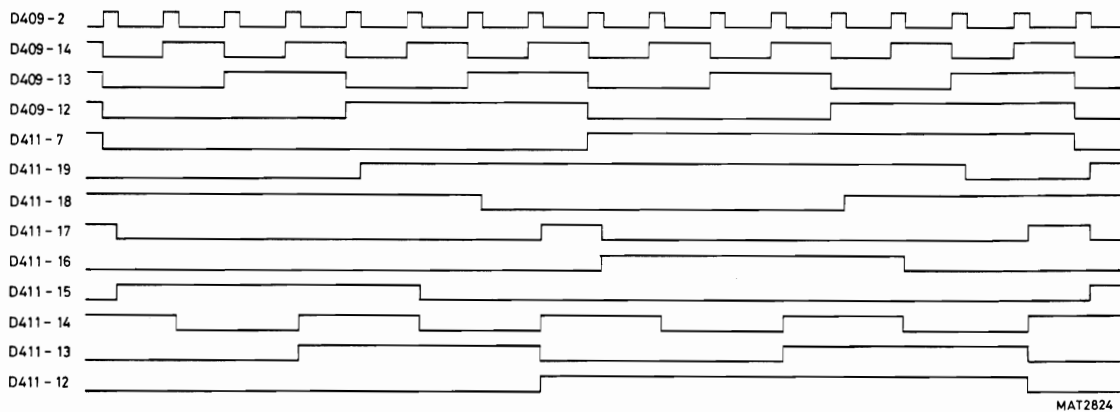


Figure 15.2 Timing diagram CCD and ADC timing

15.3 AVERAGE AND INTERPOLATION CIRCUIT

The ADC bus is generated on the ADCDAC unit A15. This bus is applied to the signal processor device D412.

The P²CCD is split up into two parts (EVEN and ODD channel) and the samples of the EVEN channel have another gain and offset than the ODD channel. D412 averages these differences according to the formula

$$A_m = \frac{A_n + (A_n - 1)}{2}$$

Next D412 calculates also 512 linear interpolated points between each of the 512 samples according to the formula

$$A_c = \frac{A_m + (A_n - 1)}{2}$$

The output bus PDØ... PD7 is applied to the memories on unit A13 for display manipulation and to the Y-DAC latch D413.

When YDLE-HT is high, this device is enabled to receive the PD-bus and transfers it to the YDACØ... YDAC7 bus.

This bus is fed to the Y-DAC on the ADCDAC unit A15.

The four least-significant bits EDØ... ED3 are applied to the P²CCD panel A18. These lines preset the ACE on this unit.

15.4 SIGNAL NAME LIST

Signal name	Description	Signal source	Signal destination(s)
ADO...7	Data bus from ADC circuit	D501	D412
BSXMTB-LT		D4103	D401
CDRD-HT	CCD read	R883	D404 - D411
CHSELOHT	Channel select 0	D411	D501
CHSEL1HT	Channel select 1	D411	D501
CVCNRYLT	Conversion counter ready	D218	D403 - D406
DATEN-HT	Data enable	D313	D416
DLENX-HT	Data latch enable X	D219	D412
DMODE-HT	Direct mode	D412	D408
DMODE-LT	Direct mode	D412	D408
DISEV-HT	Discharge even	R403	D921 - D922
DISOD-HT	Discharge odd	R404	D921 - D922
DLTRG-HT	Delay trigger	D402	D314 - D406
DTUF-HT	Delay trigger underslow	R884	D402
EDO...3	Buffered data bus	R413...R417	D801
EDC--LT	Enable delay counter	R401	D221 - D801
ENCVCN-HT	Enable conversion counter	D406	D218
INVA-HT	Invert A	D412	D407
INVAO-HT	Invert address A0	D407	D307
INTEV-HT	Integrate even	R411	D911
INTOD	Integrate odd	R409	D901
MIDCLK	Mid clock	D314	D412
MDOE-LT	MD output enable	D314	D412
OLCLK-HT	Output logic clock	D314	D401 - D409
OSCON	Oscillator on	D313	D401 - D406 - D801 - R862
PDO...7	Buffered bidirectional tri-state data bus	D303	D413
RSTACKLT	Reset acquisition	D202	D402 - D403
RSTEV-LT	Reset even	R407	R751
RSTH-LT	Reset	D314	D401
RSTH-HT	Reset	D401	D412
RSTOD-LT	Reset odd	R406	R781
RSSW-HT	Reset slow clock	R407	D801
SDA1	Serial data 1	D223	R223 - D412
SCO--HT	State counter 0	D314	D407 - D408
SCL--HT	State counter 1	D314	D408
SCL1	Serial clock 1	D223	D412
SAMPLEHT	Sample clock CIH	R408	D411 - D922
STCONVHT	Start conversion	D411	D501
SWCK	Slow clock	R412	D801
SWTBCLK	Slow time base clock	D409	D218 - D411
SWR--HT	Sweep ready	D403	D221
SWR--LT	Sweep ready	D403	D412
SWTB	Slow time base	D218	D412 - D801
TBSYNCHT	Time base synchronisation	D403	D402 - D412
TBSYNCLT	Time base synchronisation	D403	D412
TCEV-LT	Transport clock even	R882	D401 - D408 - D411
TCINN-HT	Terminal count in	D314	D404
TRGLTC		D403	D412
TRIGENHT	Trigger enable	D313	D403 - D404 - D406
WRSMPT-HT	Write sample	D412	D314
XYDLE-HT	A DAC and Y DAC latch enable	D314	R427
YDACO...7	Data bus for Y DAC	D413	N506

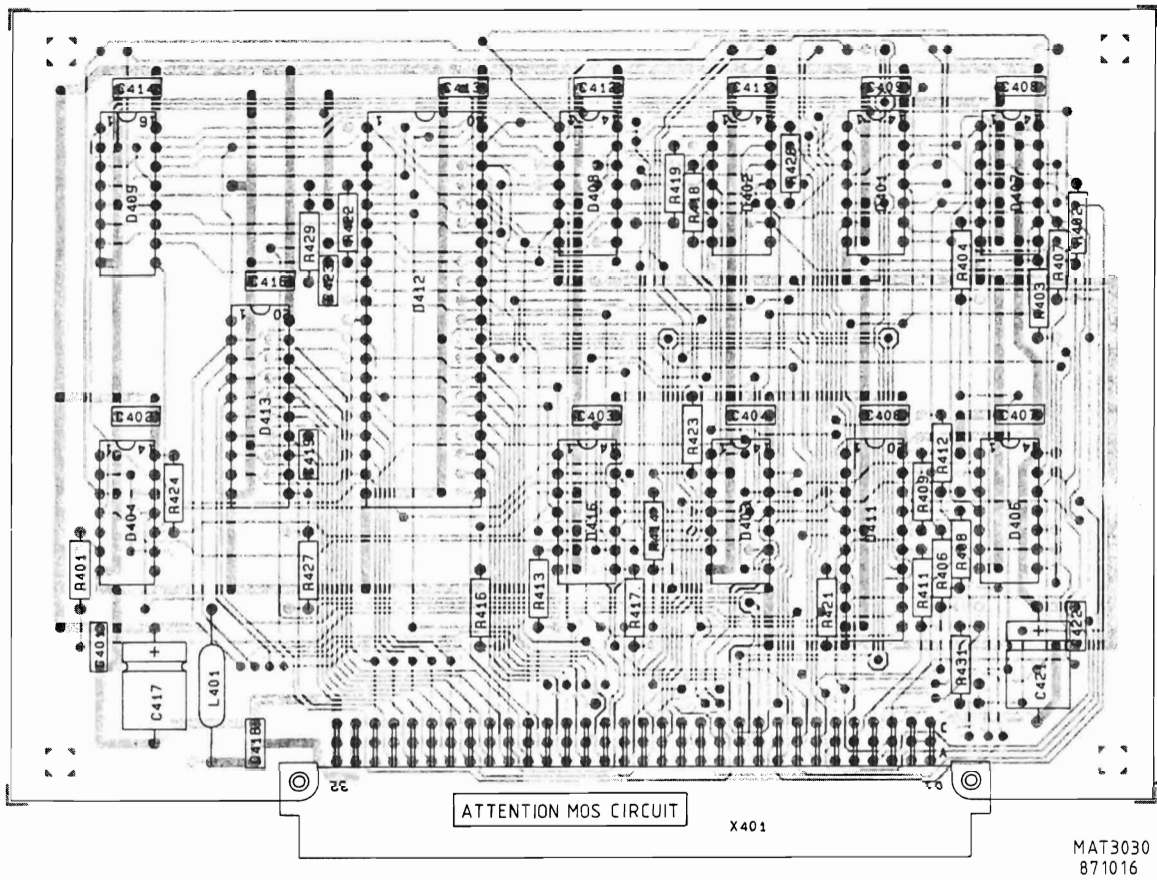


Figure 15.3 ACL unit p.c.b.

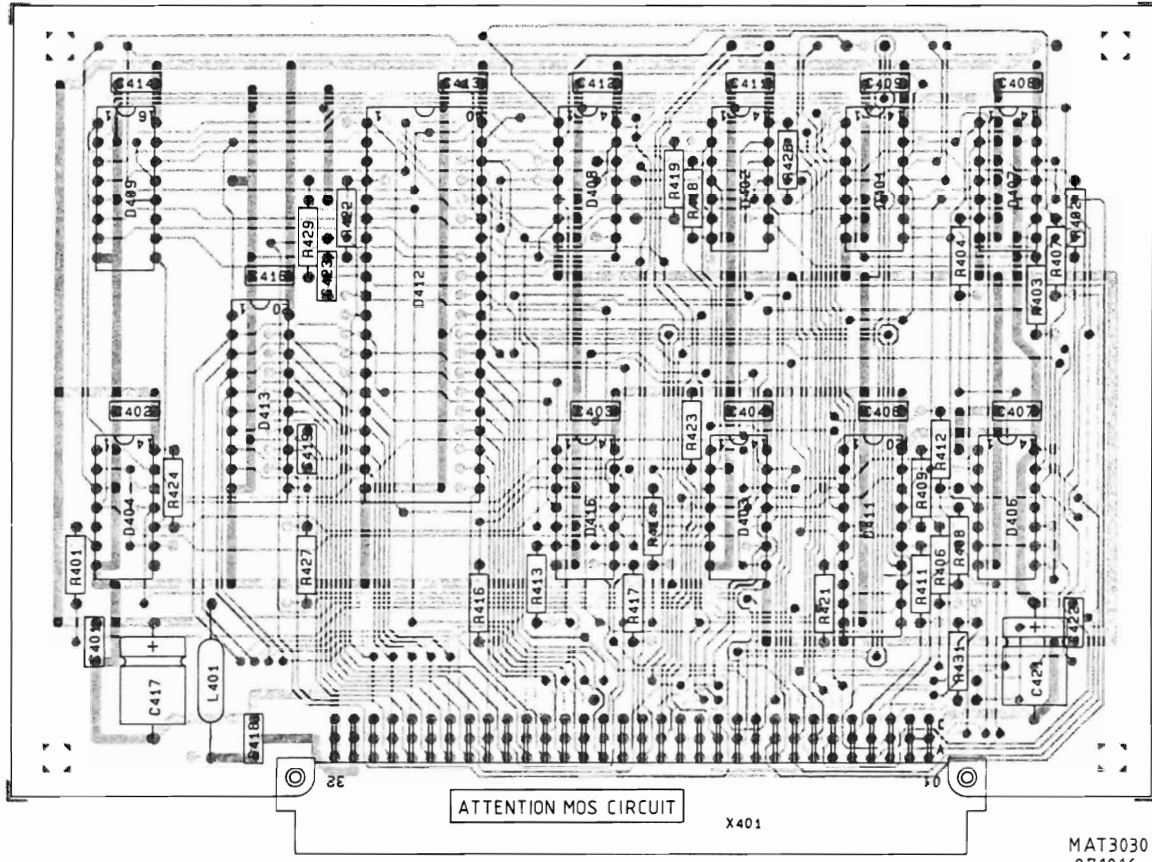


Figure 15.6 ACL unit p.c.b.

16. ADC DAC UNIT (A15)

The ADC DAC unit consists of:

- ADC circuit
- vertical DAC circuit
- horizontal DAC circuit
- X POS switch circuit
- Z control circuit
- plot and penlift circuit

16.1 ADC circuit

The four signal samples AEV, AOD, BEV and BOD are derived from the P^CCD unit. The samples for each channel are first fed to differential amplifier N501. This device compares both input signals and gives the following results for a sine wave signal with 8 divisions amplitude on the screen.

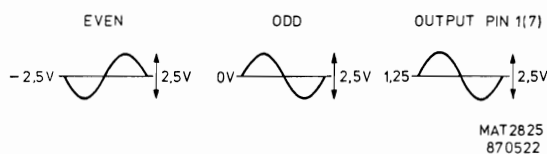


Figure 16.1 Waveforms on N501

The output signal is limited for an amplitude between $-0,3 \text{ V} \dots +5 \text{ V}$ by the limiting diodes V501...V506 and then applied to the ADC D501.

This ADC, AD7824 is a high-speed-4-channel 8-bit analogue-to-digital converter with a conversion time of $2,5 \text{ us}$ per channel. Two channels are used for the AIN1 and AIN3 signals. Next, it has two digital inputs A \emptyset and A1 for channel selection.

CHS1	CHS2	Signal	Channel selected
0	0	AIN1	A
1	0	-	-
0	1	AIN3	B
1	1	-	-

Conversion is started at the falling edge of the STCV pulse while the data AD $\emptyset \dots 7$ is present on the output at the rising edge of the STCV pulse.

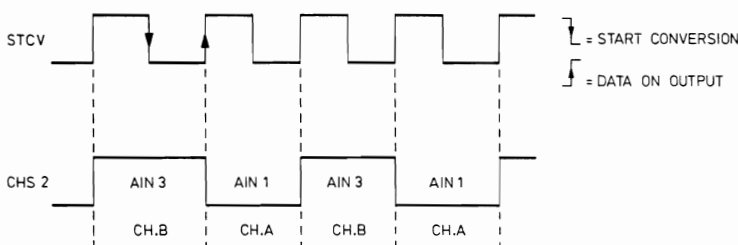


Figure 16.2 Waveform on D501

The value of the 8-bit data is determined by the input signal. $AD0...7$ is 00000000 ($00H$) for an input voltage of 0 V and $1111 1111$ (FFH) for an input voltage of +2,5 V. This AD-bus is applied to the ACL unit A14 for signal acquisition.

16.2 VERTICAL DAC CIRCUIT

The 8-bit Y-DAC bus derived from the ACL unit A14 is applied to DAC N507. The 8-bit digital-to-analogue converter converts the value of $YDAC0...7$ into a differential current signal. The reference voltage on pin 14 is 10 V and the reference current is 2 mA. This differential current is converted into a differential voltage by V521 and V522.

During refreshment of the 8-bit data, glitches appear on the output current. These glitches are removed by D503.

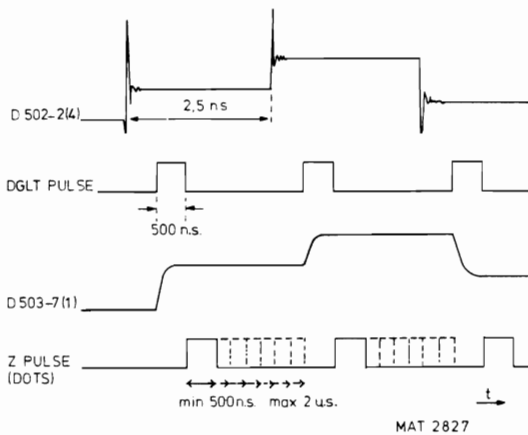


Figure 16.3 Waveform on deglitch circuit

Only when the DGLT pulse goes high is the hold capacitor C521 (C522) charged to the value of the differential voltage. The charging time of C521-R532 (C522-R533) is much lower than the 500 ns of the DGLT pulse, so the hold capacitors will be fully charged. Because both capacitors are buffered by N503 they keep charged when DGLT is low for 2 us until DGLT is high again. Then the capacitors will charge to the new value. Notice that DGLT is only high when the differential voltage on D502-2 (4) has become stable.

When DOT-JOIN is depressed, DTJN is high. In this case, two integration capacitors C526, C528 are in circuit. The differential signal voltage is then loaded with these two capacitors and the space between two dots is also intensified on the screen.

The + PLOT and - PLOT signals are fed to the plot and penlift circuit.

Next the differential signal is again converted into the differential current signals +YOUT and -YOUT by V531 and V532. These signals are applied to the adaptation unit A16. Potentiometer R542 serves for gain adjustment for the text and R544 serves for h.f. DAC correction.

16.3 HORIZONTAL DAC CIRCUIT

This circuit is basically similar to the vertical DAC circuit. However, the symmetrical current output of 10-bit DAC is converted into a symmetrical voltage by N511. The amplitude of the sawtooth on D512-3 is 2,5 V.

N513 serves an output buffer and gives the digital sawtooth sweep of 0 V...5 V. This sweep is applied to the time-base unit A4.

16.4 X POS SWITCH CIRCUIT

The front-panel X POS control or R553 is switched to the POSXO output via a diode switch D553...D557. This switch is under control of the signal XPSF. When XPSF is low, the front-panel control XPOS is active and determines the X position of the signal on the screen. But, during the time that the text is written on the screen, XPSF is high. This means that the X position of the text is fixed by means of R553.

16.5 Z CONTROL

The brightness on the screen is controlled by three signals:

- PLOT, dims the brightness when the instrument is in plot action.
- DTJN, dims the brightness when the screen is dot-joined.
- ZON, switches off the intensity during the flyback of the digital sawtooth

These TTL signals are first fed to D504 which converts the amplitude to 12 V. Because pin 15 is connected to ground the device is always enabled.

During the plot action or when dot-joined the signals PLOT or DTJN is high. This means that a part of the current source on unit A3 is floating through V567. The value of this part is adjustable by R565 or R566 and thus the brightness is adjustable.

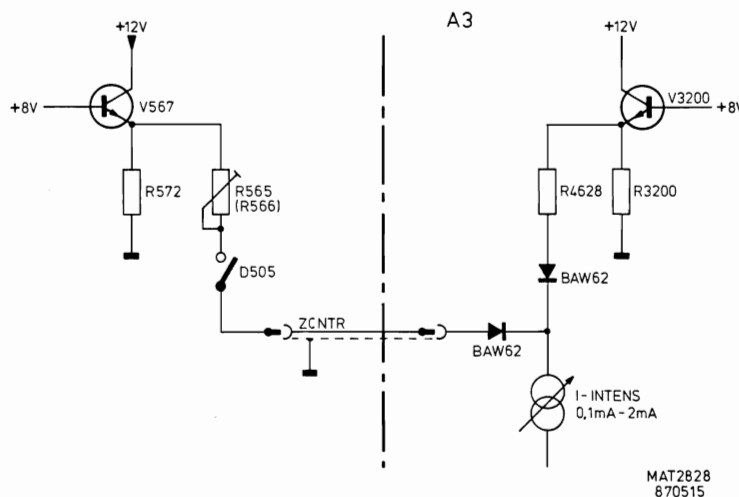


Figure 16.4 Z control for PLOT or DTJN

The signals DTJN and PLOT are also connected to a diode NOR-gate. The output switches D505-13 and is switched off when one of the signals is high. This means that the current source V568 and V569 is not in circuit. When both signals are low, then V567 is switched off, but current source V568 and V569 is in circuit.

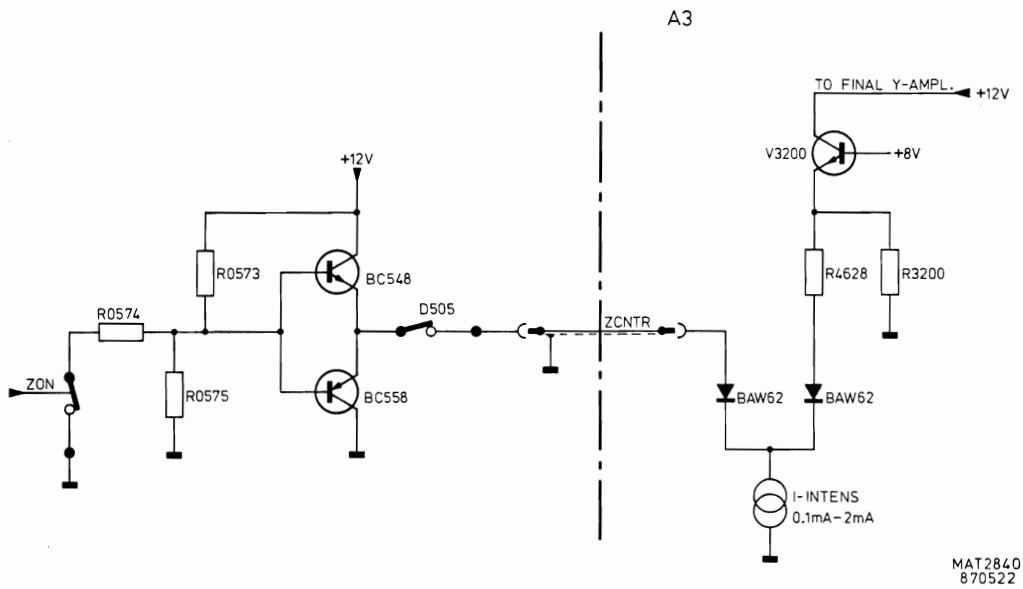


Figure 16.5 Z control for Z ON

During the flyback of the digital time base, ZON is low, this causes blanking of the screen.

16.6 PLOT AND PENLIFT CIRCUIT

This circuit generates the correct signals for an external plotter. The vertical + PLOT and - PLOT signals are derived from N503 and converted into an asymmetrical signals between 0...1 V by N512. The horizontal X PLOT signal is derived from N513 and also converted into a voltage signal between 0...1 V. Both voltage signals are applied to multiplexer D512. When PLOT is high the signals are fed to the PLOT output socket at the rear of the instrument.

Selectable by the service menu, the PLFT signals can be active low or active high. This signal is fed via V611, V612 and V613 and applied as an open-collector output to the PLOT socket.

The signals PLOT and PLFT are derived from D313 on the DCL circuit A13.

16.7 SIGNAL NAME LIST

Signal name	Description	Signal source	Signal destination(s)
ADO...7	Data bus from ADC circuit	D501	D412
BATT	Battery voltage	X501/B3	V302
CHAEV	Channel A even	R707	R501 - N927 - R937
CHAOD	Channel A odd	R702	R502 - N927 - R957
CHBEV	Channel B even	R707	R508 - N947 - R957
CHBOD	Channel B odd	R702	R509 - N947 - R947
CHSELO	Channel select 0	D411	D501
CHSEL1	Channel select 1	D411	D501
DGLT	Deglitch control	R584	D503 - R584
DTJN	Dot join not		D504 - R596
DSOSWP	Digital storage osc sweep	N513	V4521
DOTS--LT	Control signal for dot join	D313	D503 - D504
PLFT	Penlift	D313	R614
PLOT--HT	Control signal for plot	D313	D502 - D512
PLOTX	Plot X	R608	X505
PLOTY	Plot Y	R611	X505
+PLOT	Pos. plot	D503	R592
-PLOT	Neg. plot	D503	R591
POSX	X position	N7003	D113 - R560
POSOFFHT	Position off	D313	R555
POSXOUT	X position out	V554/V557	R4722
STCONVHT	Start conversion	D411	D501
XDACO...9	Data bus for X DAC	D311/D312	N507
XPLOT	X plot signal	N513	R587
YDACO...7	Data bus for Y DAC	D413	D502
+YOUT	Pos. Y DAC out	V531	R617
-YOUT	Neg. Y DAC out	V532	R616
ZCNTR	Z control	D505	V4618
ZON--HT	Z on control	D314	D504

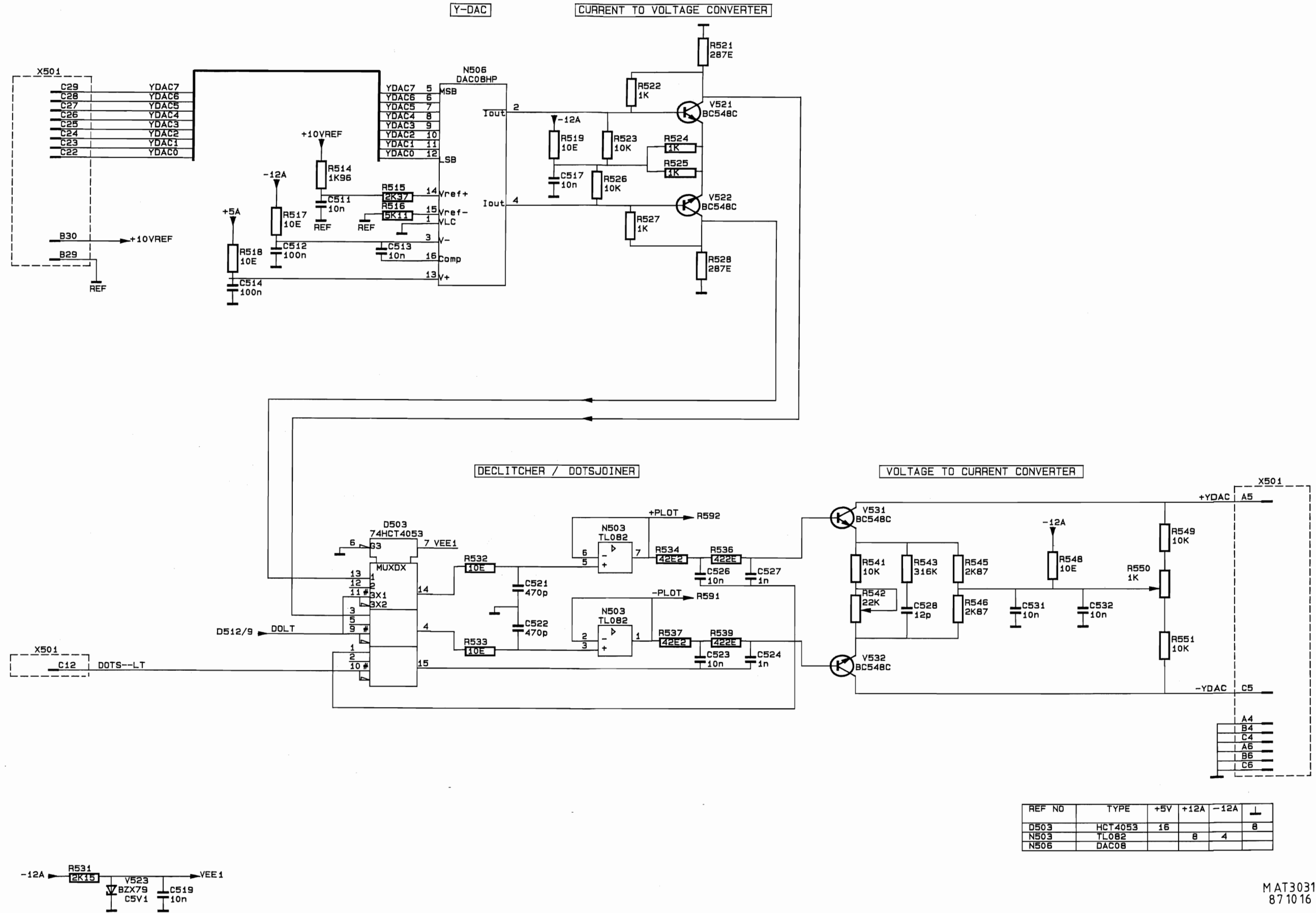


Figure 16.6 Circuit diagram of ADC DAC unit, Y-DAC circuit

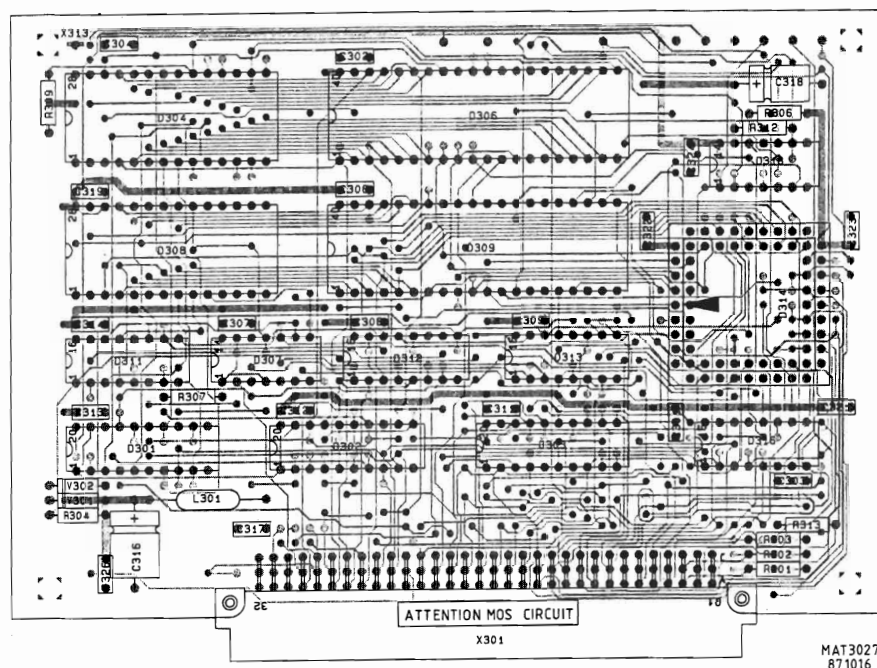


Figure 14.12 DCL unit p.c.b.

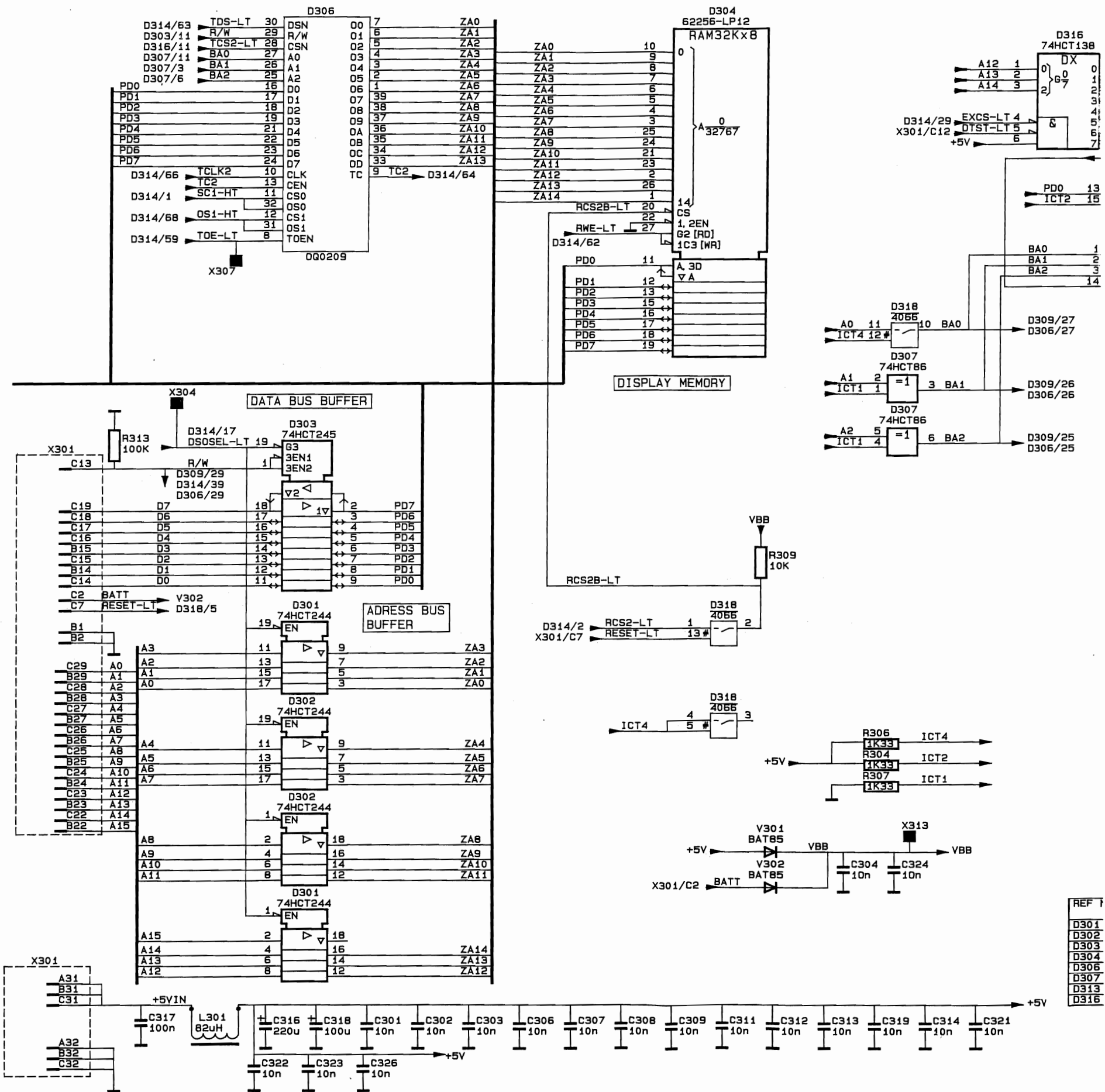


Figure 14.13 Circ

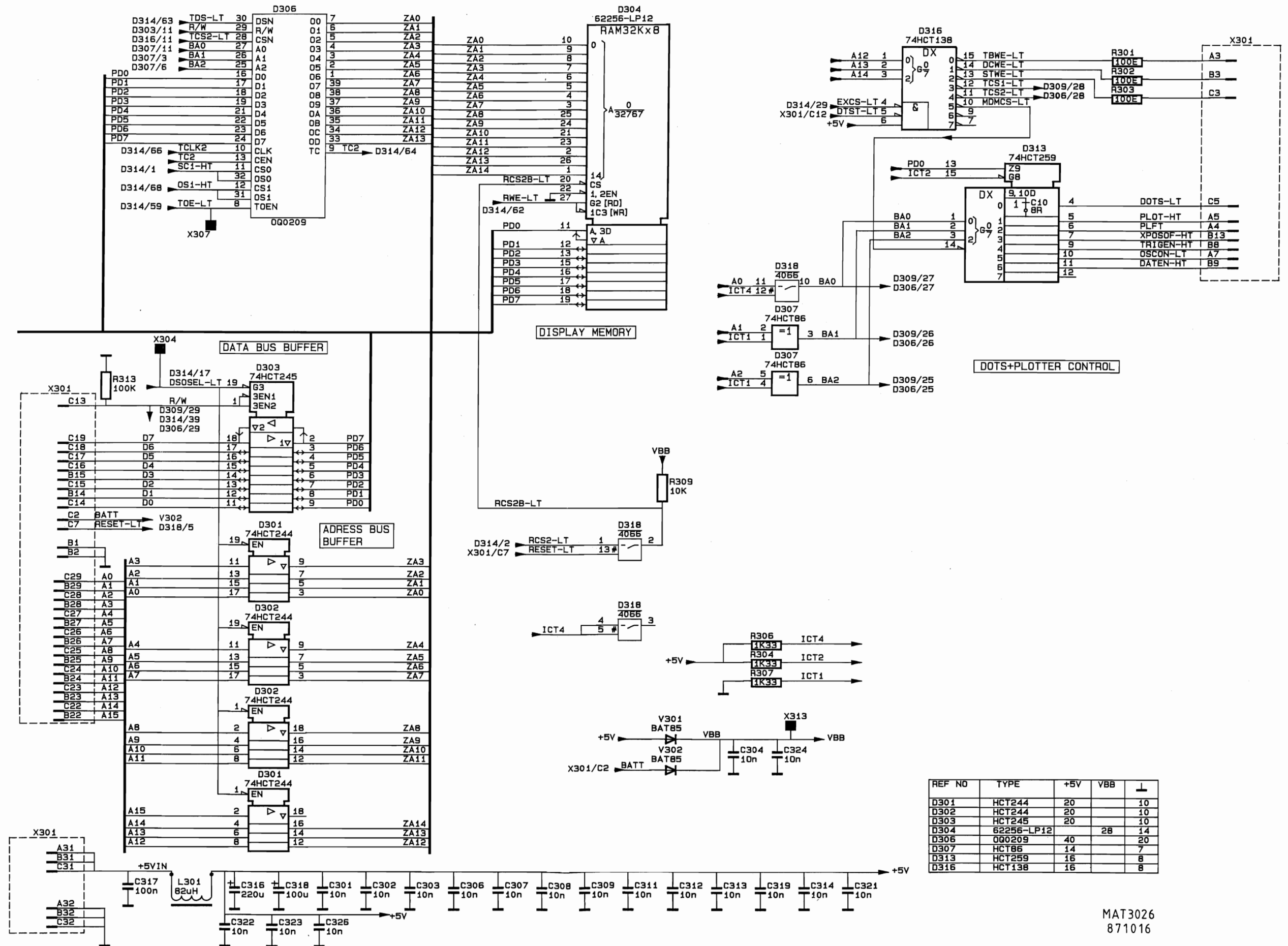
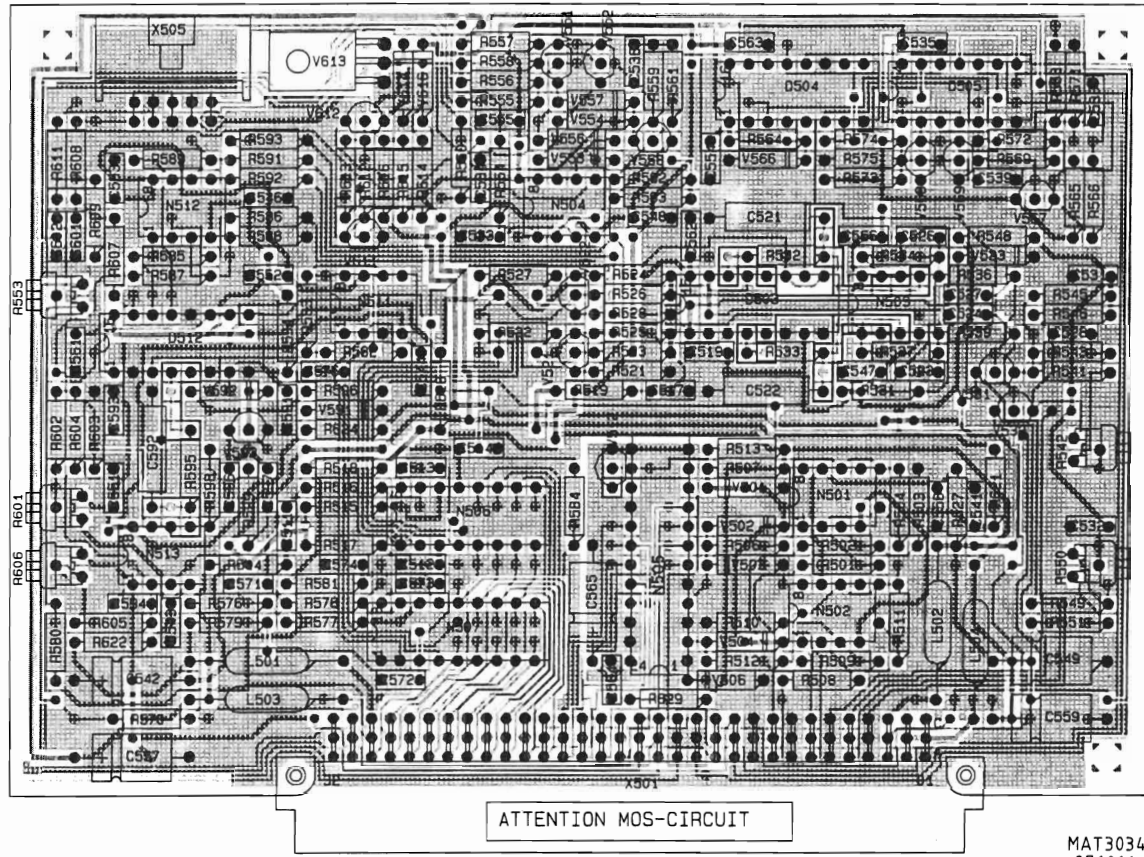


Figure 14.13 Circuit diagram of DCL unit, display memory



MAT3034
871016

Figure 16.7 ADC DAC unit p.c.b.

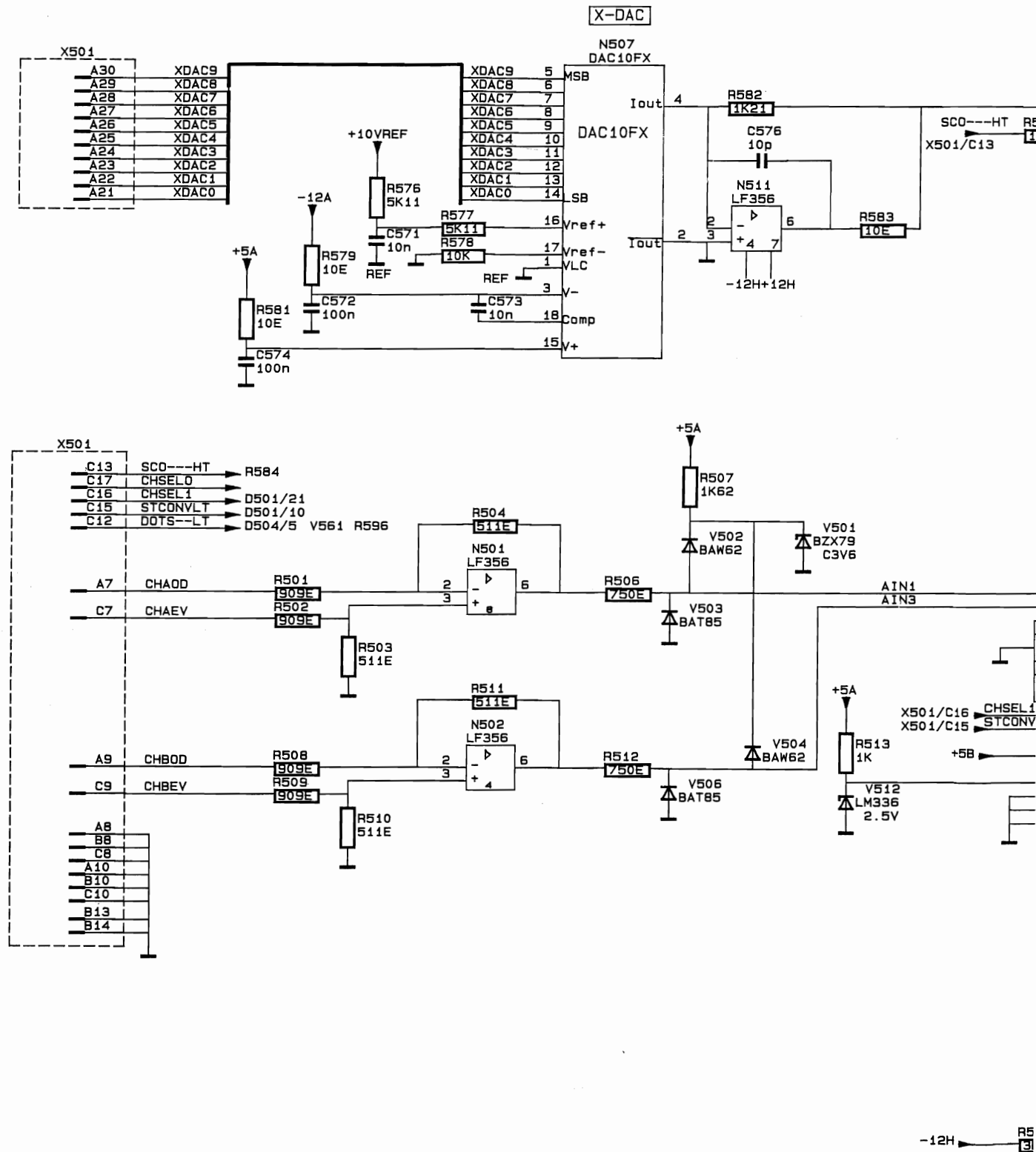
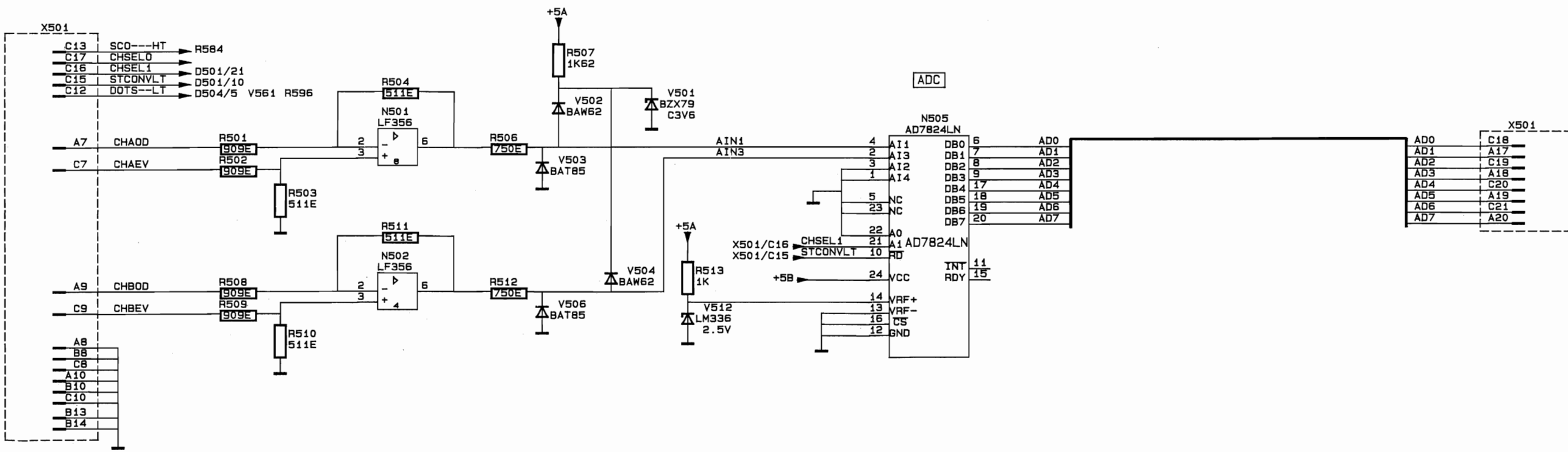
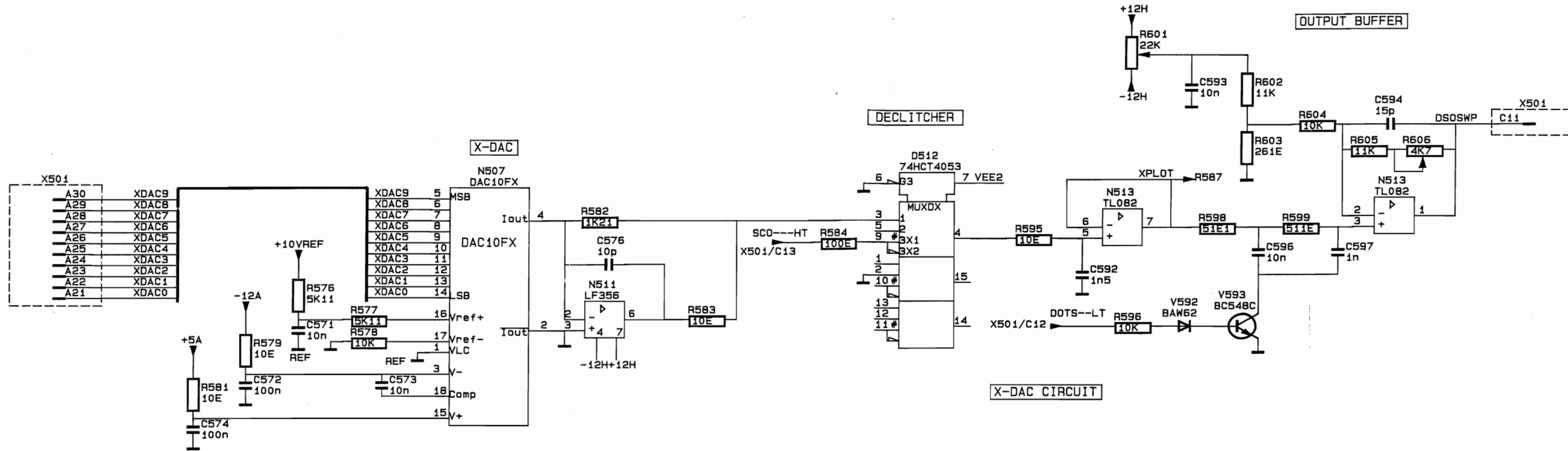


Figure 16.8 Circuit diagram of ADC DAC unit, X-DAC and ADC circuit



REF NO	TYPE	+5V	+5B	+12B	-12B	+12H	-12H	↓
D512	HCT4053	16						8
N501	LF356			7	4			
N502	LF356			7	4			
N505	AD7824		24					12
N507	DAC10FX							
N511	LF356					7	4	
N513	TL082					8	4	

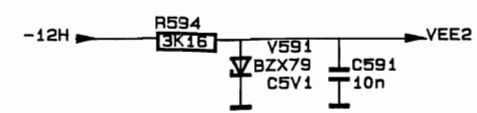


Figure 16.8 Circuit diagram of ADC DAC unit, X-DAC and ADC circuit

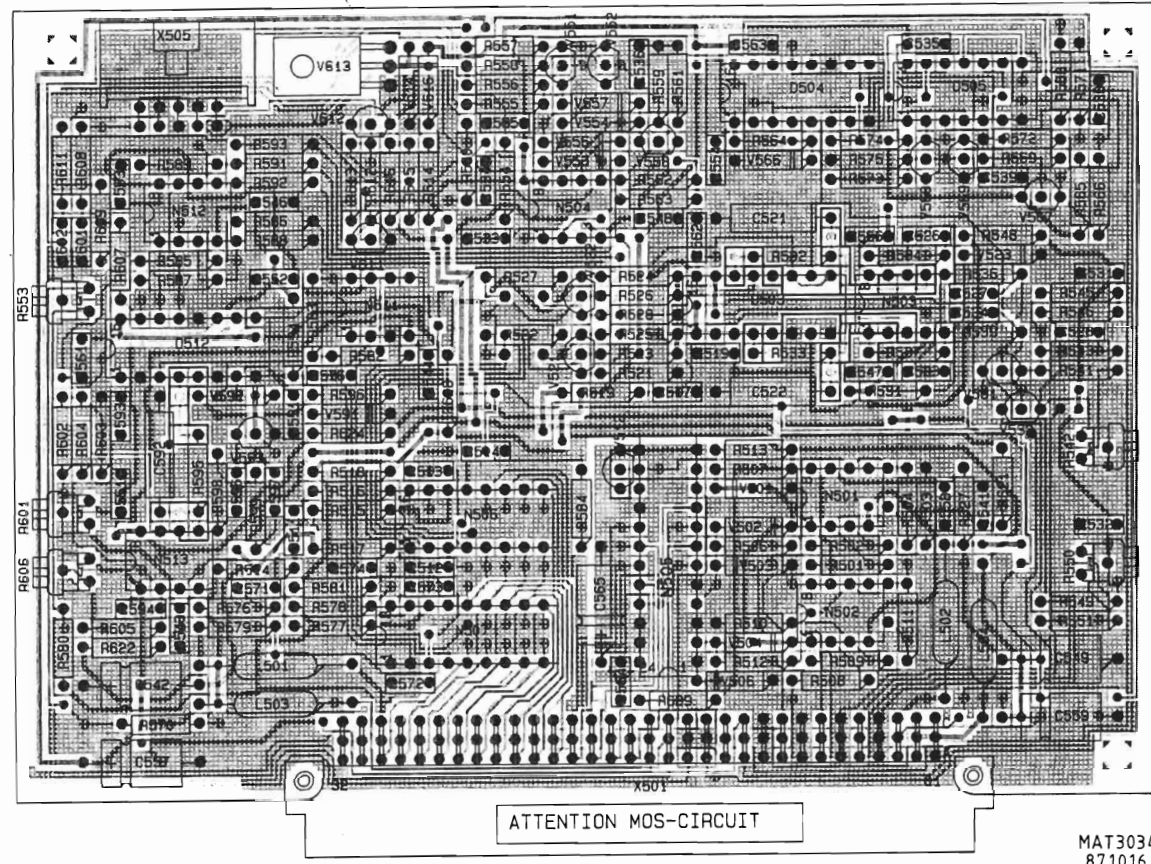
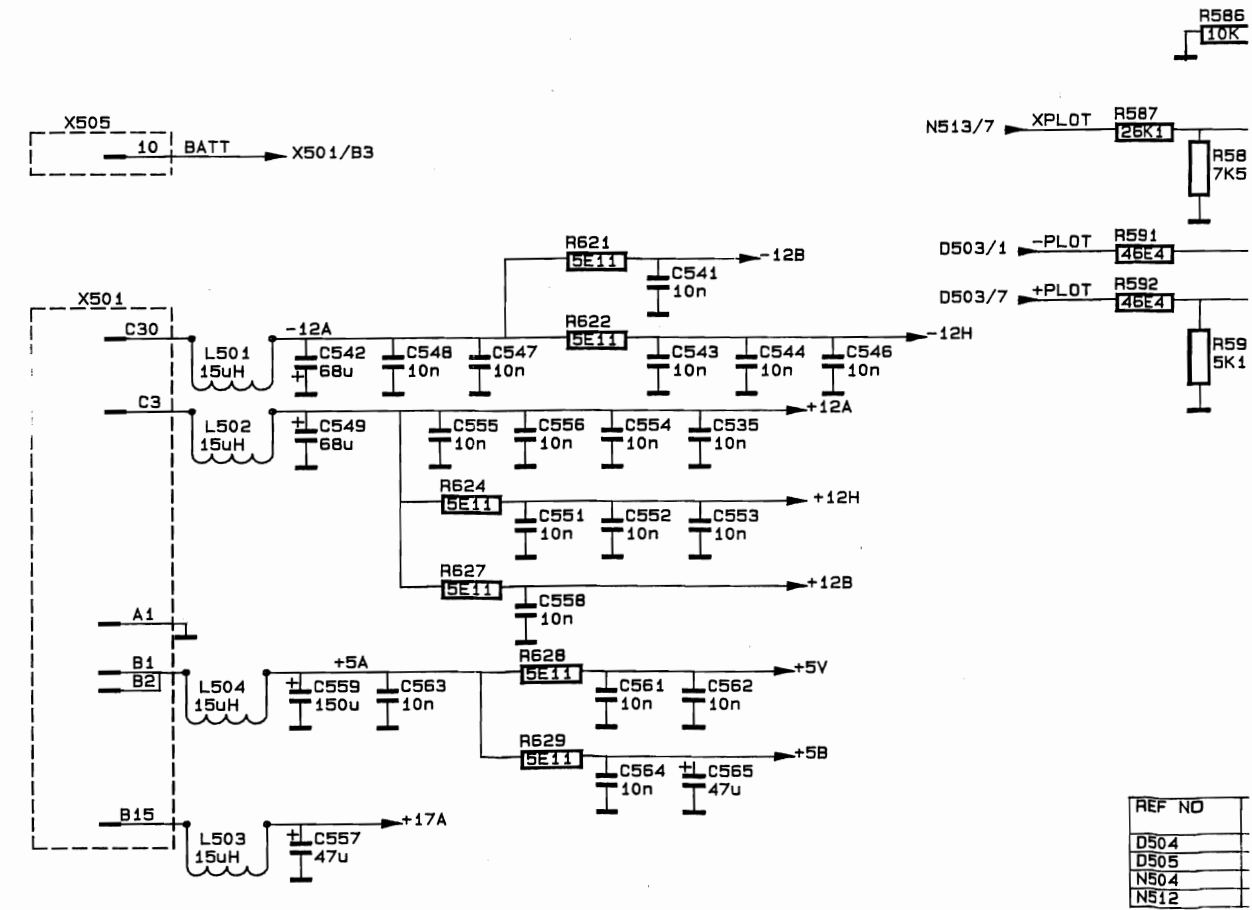
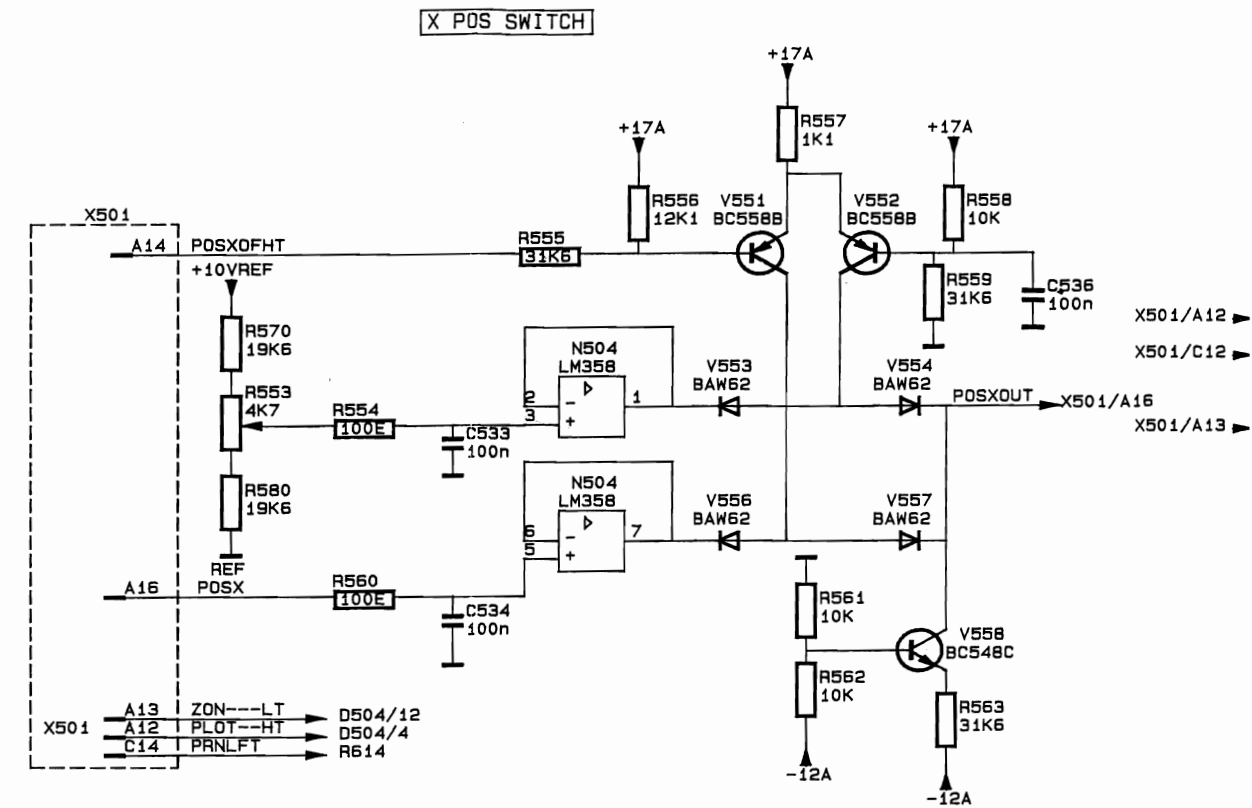
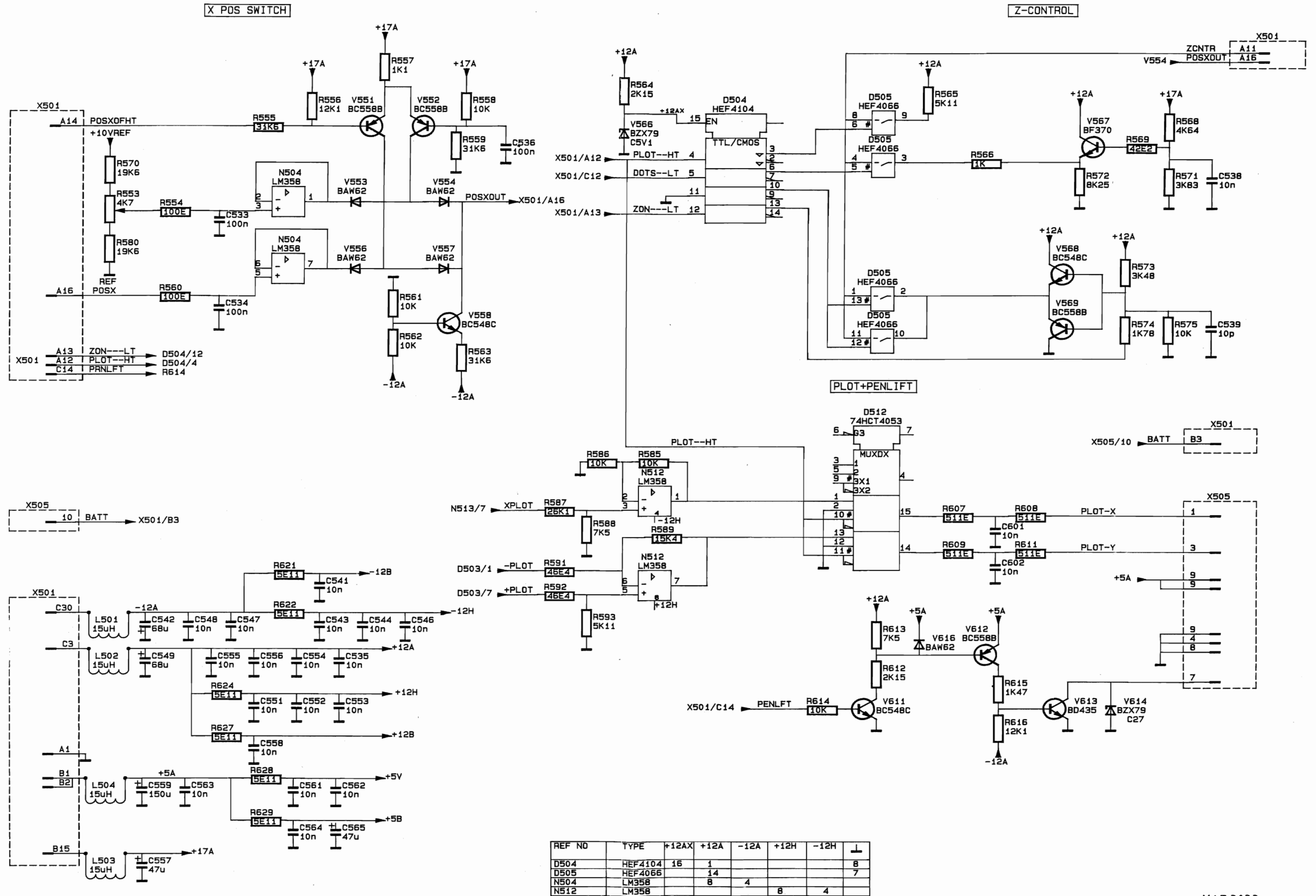


Figure 16.9 ADC DAC unit p.c.b.





REF NO	TYPE	+12AX	+12A	-12A	+12H	-12H	↓
D504	HEF4104	16	1				8
D505	HEF4066		14				7
N504	LM358		8	4			
N512	LM358				8	4	

MAT 3033
871016

Figure 16.10 Circuit diagram of ADC DAC unit, part 3

17. ADAPTATION UNIT (A16)

17.1 VERTICAL DISPLAY MODE SWITCH

The adaptation unit consists of diode switches. Depending on the selection of real-time mode or digital memory mode, the current signals of channels A and B are applied via the so-called "analogue signal path" or the so-called "digital signal path". The diode switches are under control of the signals SHAR and SHARN. The selection table is as follows:

signal	real-time mode	digital memory mode
MEMON-HT	LOW	HIGH
SHAR	-12 V	+12 V
SHARN	+12 V	-12 V

17.2 REAL TIME MODE AMPLIFIER

Selection of the analog signals path means that the current signals of channels A and B are directly coupled to the inputs of the analogue vertical channel switch D601 via diodes V609, V611, V612 and V613. The two devices D601 and D602 are connected in parallel and have the following switch selections:

	D601 pin 10	D602 pin 11	D602 pin 10
A	1	0	0
B	0	1	0
TRIG LEVEL VIEW	0	0	1
ADD	1	1	1

Furthermore all possible 2, 3 or 4 channel combinations are possible in alternated and chopped display (see also section 5.4).

The stage comprises the following real-time functions:

- Channel B normal/invert (HIGH is invert) on D601-11.
(The balance between normal/invert can be adjusted with R2212, see section 5.1)
- Trigger view invert (HIGH is invert) on D602-2.

The output is applied to the delay line driver on unit A2.

Channel A position control is obtained via long-tailed pair amplifier V626 and V627. This circuit is sourced by current source V628 and driven by N601. The channel B position control is identical but also includes a multiplexer D603 for normal/invert function.

17.3 DIGITAL MEMORY AMPLIFIER

Selection of the digital signal path means that the current signals of channels A and B are coupled to the common-base amplifier V616, V617, V621 and V622.

Because of the +12 V level of SHAR these transistors conduct and the currents are routed to the output. The output currents are applied to the P²CCD unit A18.

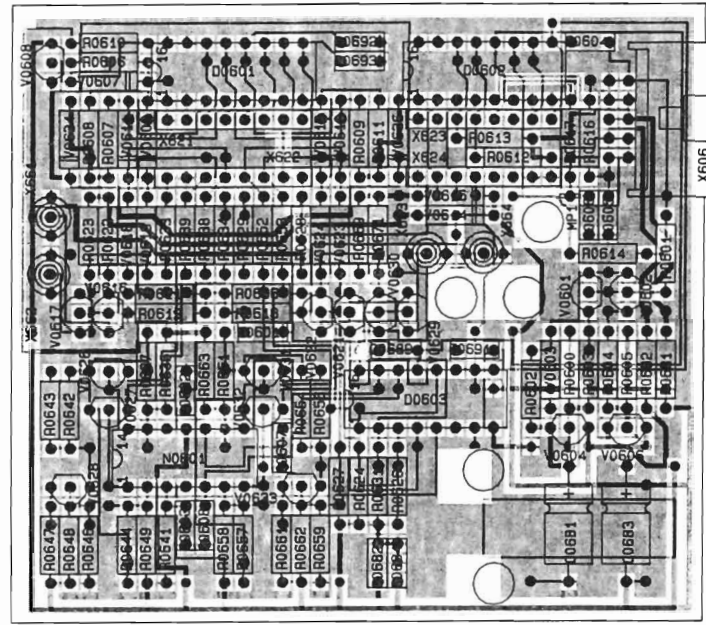
The position controls for both channels are determined by the same circuit as for the real-time path.

Next, MEMOM-HT also causes the selection of the vertical current signals -YDAC and +YDAC. These signals are now routed to the delay-line driver via D602 on unit A2. Note that the DLD1 and DLD2 outputs are only interconnected on A2 (see also figure 5.1).

In digital memory mode, selection can be made for trigger level view by applying a high level to D602-10. This d.c. signal is received from the trigger level view pre-amplifier on unit A2.

17.4 SIGNAL NAME LIST

Signal name	Description	Signal source	Signal destination(s)
CHA	Channel A selection	D2603	D601
CH+A	Channel +A output	V616	R702
CH-A	Channel -A output	V617	R707
CH+AI	Channel +A input	D2002	V611 - V618 - R638
CH-AI	Channel -A input	D2002	V609 - V619 - R639
CHB	Channel B selection	D2603	D601
CH+B	Channel +B output	V622	R702
CH-B	channel -B output	V621	R701
CH+AI	Channel +B input	D2102	V613 - V624 - R653
CH-AI	Channel -B input	D2102	V612 - V623 - R652
DLD1	Delay line driver ch A	D601	D2203
DLD2	Delay line driver ch B	D602	D2203
INVAM	Invert ch A	D2602	D602
INVB	Invert ch B	D2602	D601 - D603
MEMOM-HT	Memory on	D222	R601
POS A	Position ch A	R2200	R634
POS B	Position ch B	R2220	R629
+TRIG	+ Trigger	R2404	D602
-TRIG	- Trigger	R2412	D602
TRGVW	Trigger view	D2603	D602
SHAR	Store hardware	V604/V606	V614 - V615
SHARN	Store hardware not	V608	V634 - V635
+YDAC	+ Y DAC signal	V531	R617
-YDAC	- Y DAC signal	V532	R616



MAT3037
871016

Figure 17.1 Adaptation unit p.c.b.

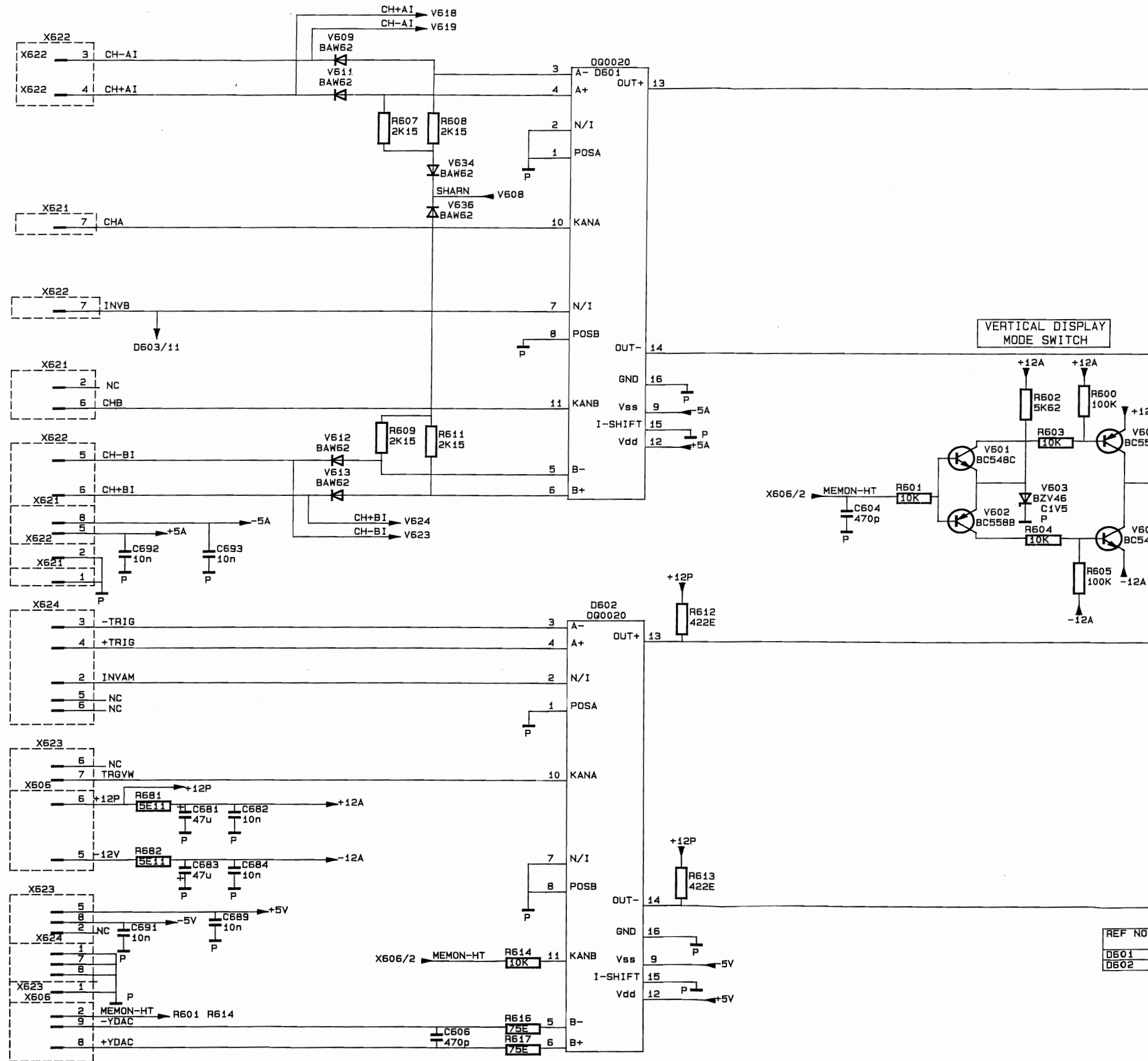
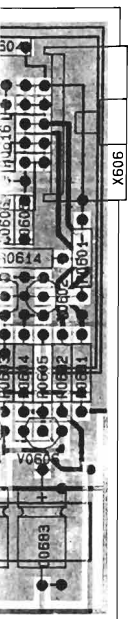
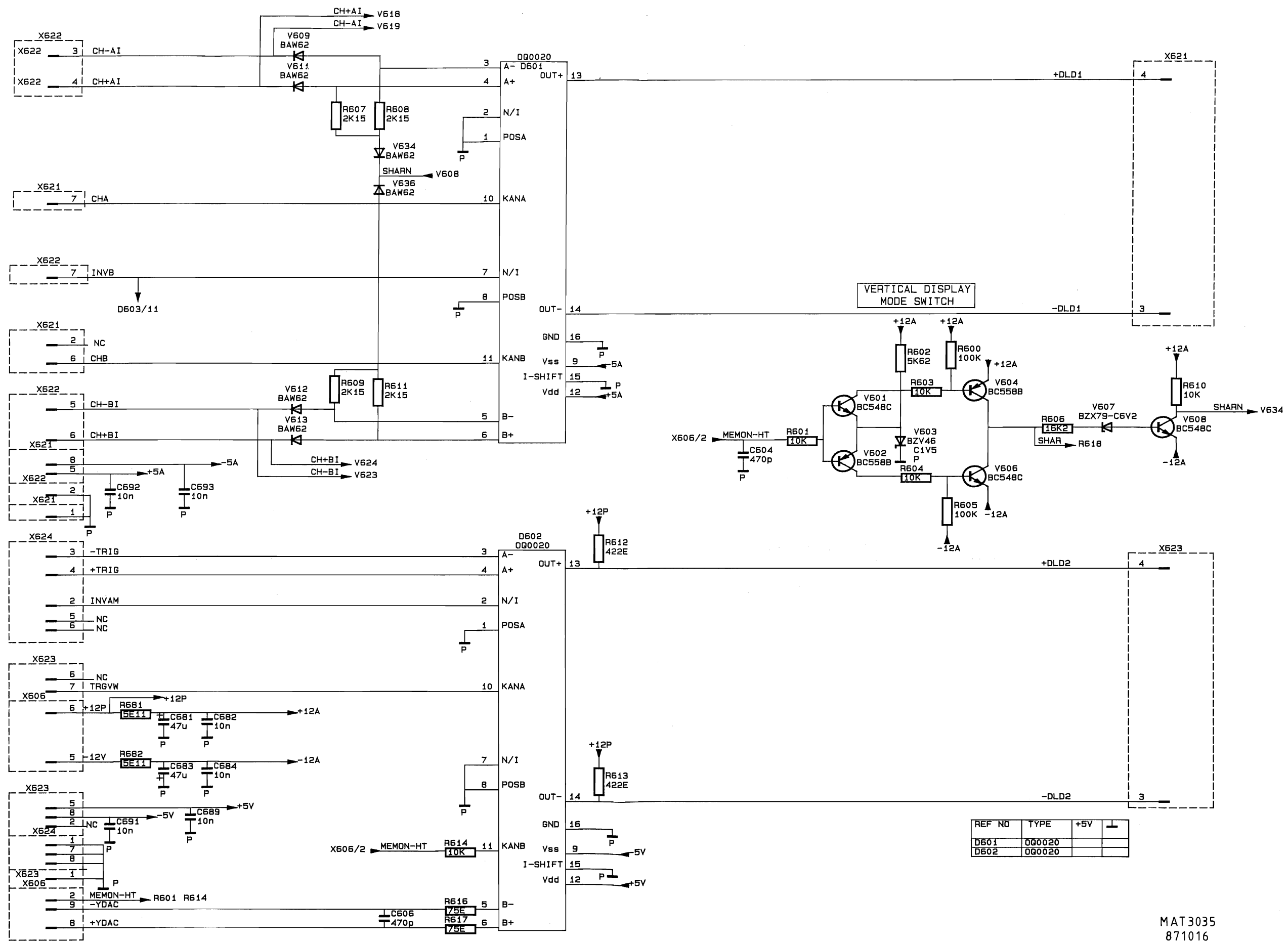


Figure 17.2 Circuit



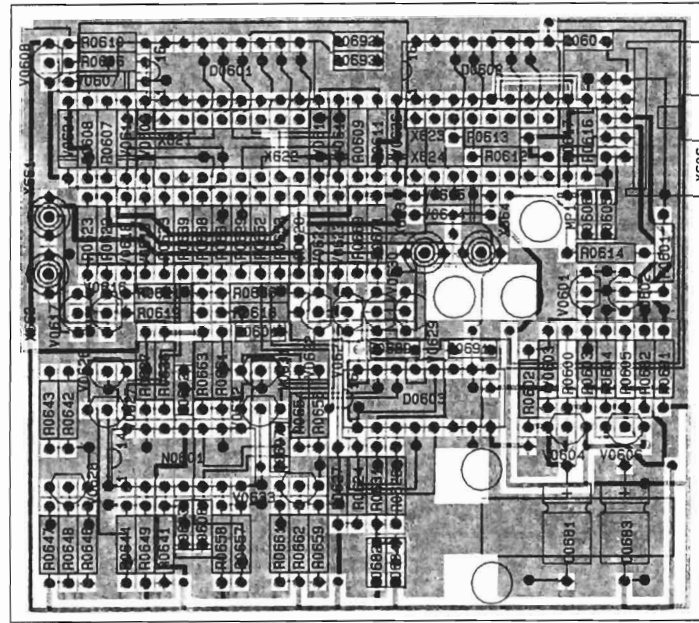
MAT3037
871016



REF NO	TYPE	+5V	-
D601	0G0020		
D602	0G0020		

MAT3035
871016

Figure 17.2 Circuit diagram of adaptation unit, part 1



MAT3037
871016

Figure 17.3 Adaptation unit p.c.b.

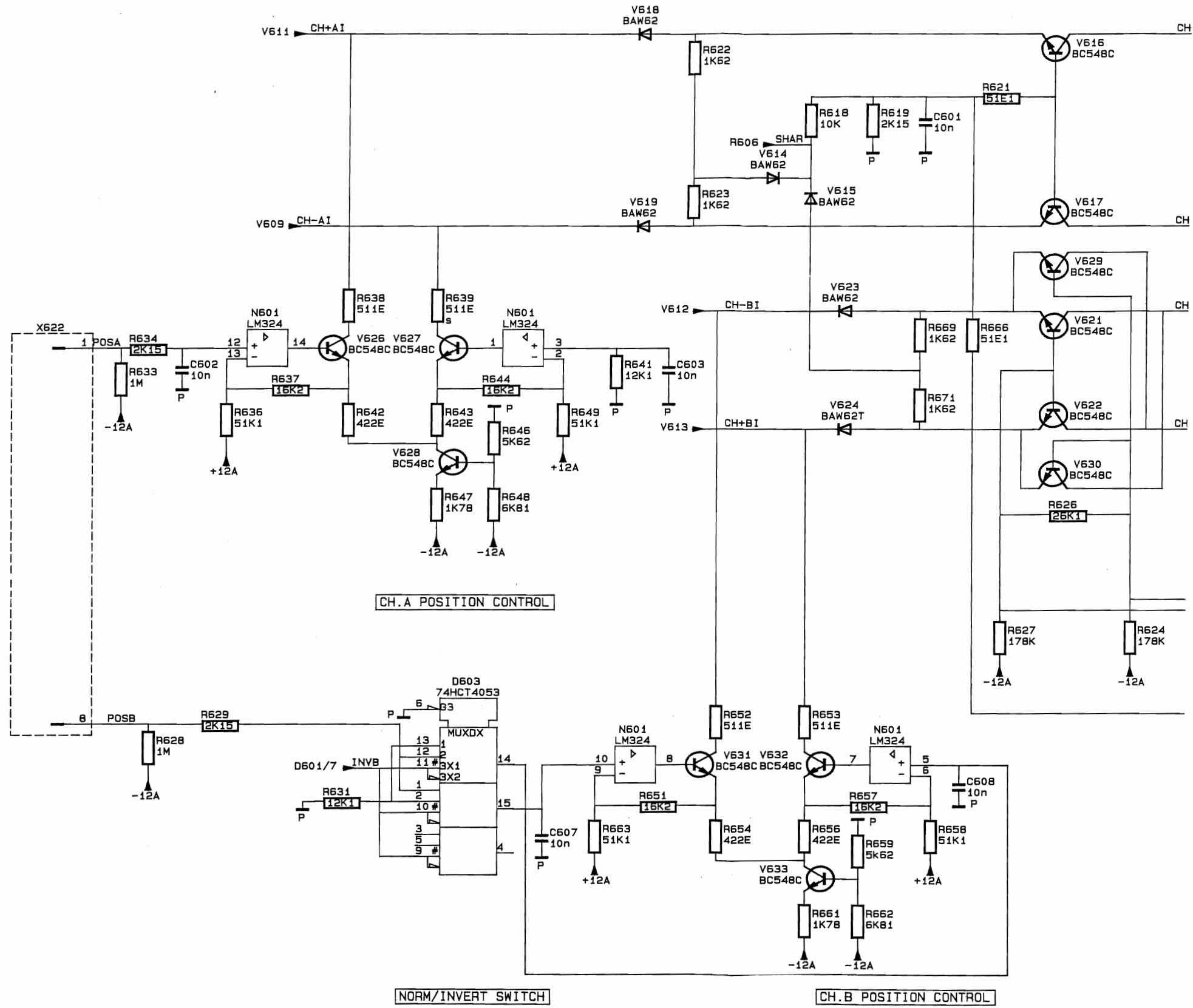
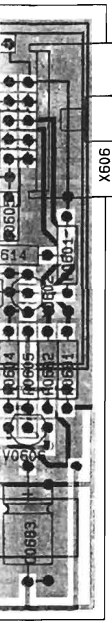
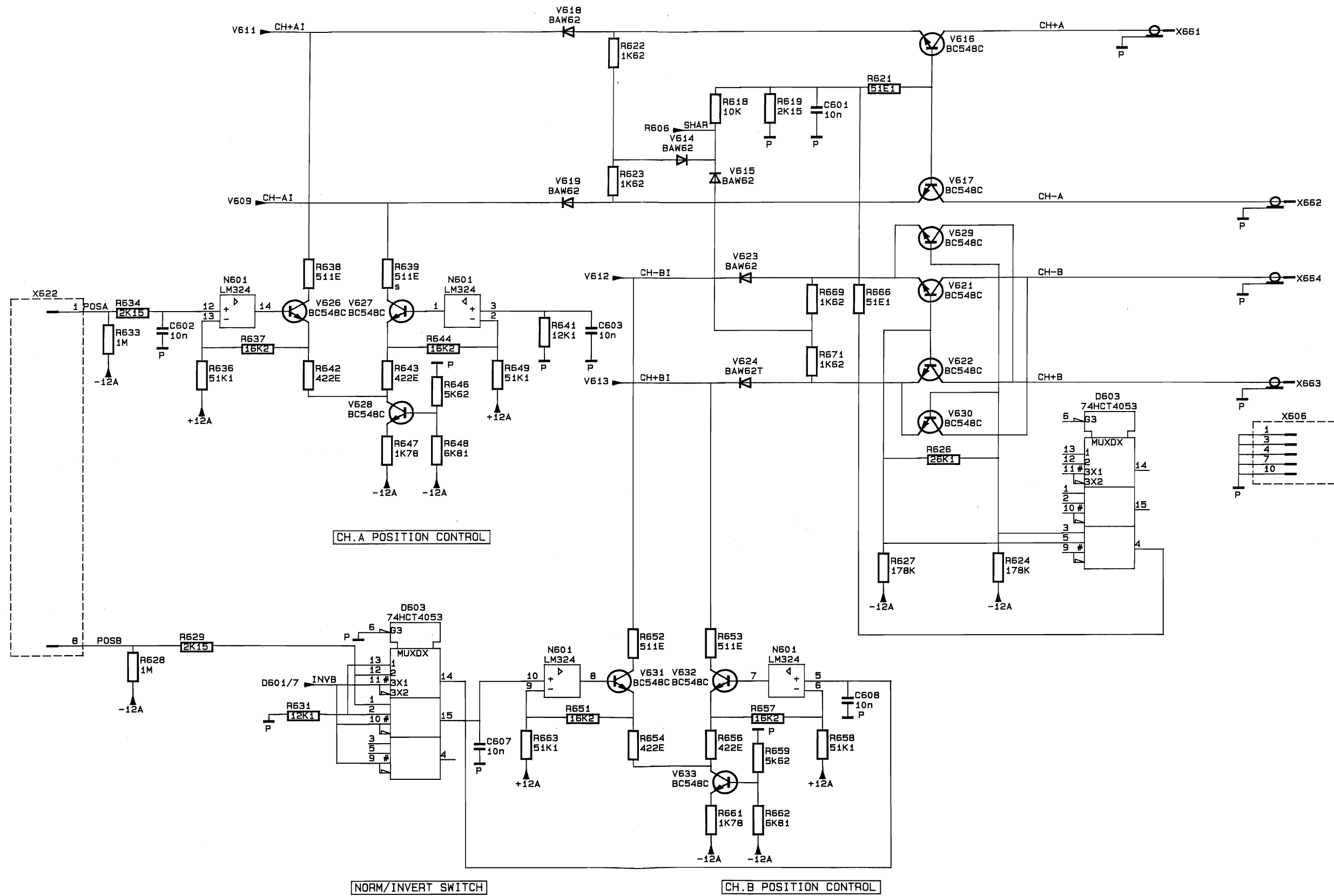


Figure 17.4 Circuit



MAT 3037
871016

Figure 17.4 Circuit diagram of adaptation unit, part 2

18. MINI CCD UNIT (A17)

18.1 INTRODUCTION

The P²CCD for channels A and B are situated on the mini CCD units A17 which are mounted on unit A18. The mini CCD units for ch. A and ch. B are identical.

WARNING: The P²CCD is a MOS device, which is highly sensitive to electrostatic discharges. It is not possible to replace it without causing damage, due to electrostatic discharges.

The P²CCD (Profiled Peristaltic Charge Coupled Device) - OQ0204 - which is basically an analogue shift register, consists of an ODD-side and an EVEN-side. Each side consists of a sample gate, 256 stages through which the samples can be shifted and an output gate (see figure 18.1).

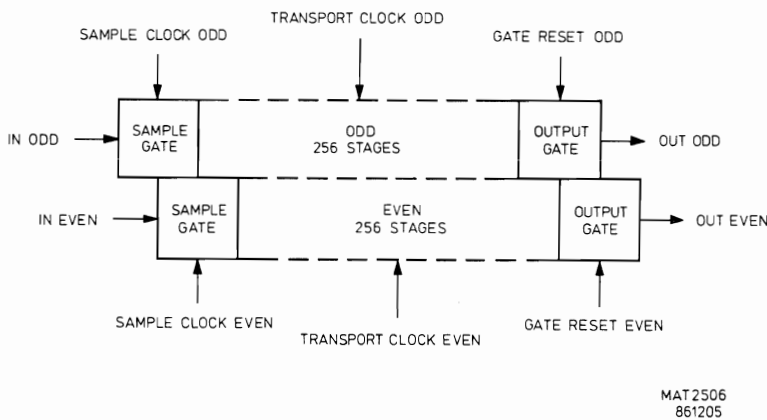


Figure 18.1 Schematic diagram of a P²CCD circuit

The clock signals of the ODD and the EVEN side are always in anti-phase (see figure 18.2).

- On the rising edge of the sample clock a sample of the input signal is taken.
- On the falling edge of the sample clock this sample is shifted to the first stage
- On the falling edge of the transport clock, all the samples in stages are shifted (transferred) one stage. The last sample is transferred to the output stage. The output stage is enabled when the gate reset signal is 0 V.

The P²CCD circuit applies the samples to the Clamp, Integrate and Hold circuit (CIH circuit) on unit A18, which takes over the samples. Then the gate reset signal is +12 V again, which resets the output capacitor.

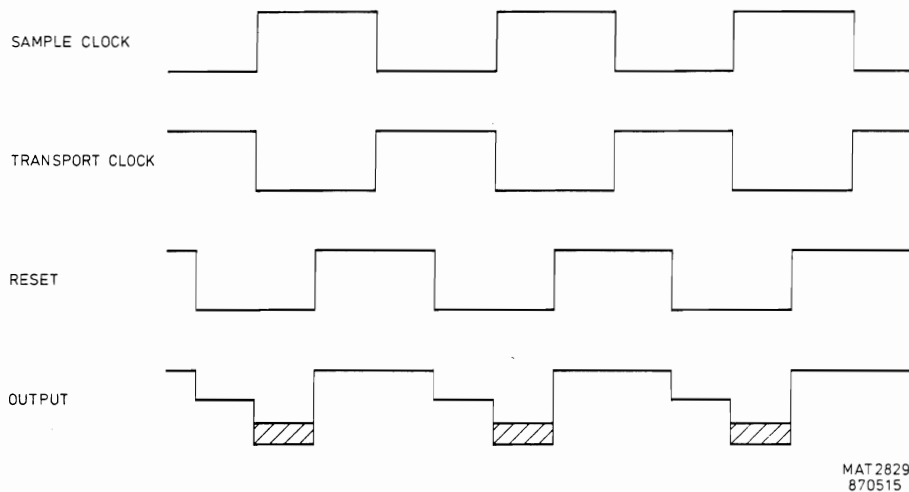


Figure 18.2 Sample and transport sequence

18.2 INPUT BUFFER

The differential input current with a sensitivity of 100 $\mu\text{A}/\text{DIV}$ is received via 50 Ohm cables from adaptation unit A16. This current is buffered by common-base amplifiers V701 and V702 and then applied to the shunt feedback amplifiers V703 and V704. This stage converts the input current into the voltage for the P²CCD. The d.c. level of this signal is controlled by the DCIA (or DCIB) signal.

18.3 P²CCD - OQ0204

The P²CCD circuit OQ0204 has the following pin connectors.

Pin	Name	Description
1	INE	Same signal as SAMPLE CLOCK EVEN but d.c. shifted. This d.c. value can be varied by potentiometer R894 for ch. A or R892 for ch. B on unit A18.
2	G1E	d.c. barrier voltage level. This d.c. value can be varied by potentiometer R974 for ch. A or R977 for ch. B on unit A18.
3	G2E	Input signal, even. The input signal can be varied by potentiometer R966 for ch. A or R970 for ch. B on unit A18.
4	G3E	SAMPLE CLOCK EVEN, takes samples of the input signal.
5	G4E	Same signal as SAMPLE CLOCK EVEN but d.c. shifted.
6	CL1IN	TRANSPORT CLOCK EVEN, transfers the samples in all 256 even stages one stage further.
7	CL2IN	Same signal as TRANSPORT CLOCK EVEN but d.c. shifted
8	SUB	Default value of -2 V approx.
9	CL20	nc
10	CL10	nc
11	GSP	GATE SEPARATION. Default value of +4,8 V approx.

12	OUT EVEN	Output signal even.
13	DRSE	DRAIN RESET EVEN. Default value of +19,2 V approx.
14	GRE	GATE RESET EVEN signal. When 0 V, the even output is enabled, when +12 V, the even output is disabled.
15	GRO	GATE RESET ODD signal. When 0 V, the odd output is enabled, when +12 V, the odd output is disabled.
16	DRSO	DRAIN RESET ODD. Default value of +19,2 approx.
17	OUT ODD	Output signal odd.
18	DSFS	Supply voltage of +25 V.
19	CL30	nc
20	CL40	nc
21	SUB	Default value of -2 V approx.
22	CL40	Same signal as TRANSPORT CLOCK ODD but d.c. shifted.
23	CL30	TRANSPORT CLOCK ODD, transfers the samples in all 256 odd stages one stage further.
24	G40	Same signal as SAMPLE CLOCK ODD but d.c. shifted.
25	G30	SAMPLE CLOCK ODD, takes samples of the input signal.
26	G20	Input voltage, odd. The input signal can be varied by potentiometer R966 for ch. A or R970 for ch. B on unit A18.
27	G10	d.c. barrier voltage level. This d.c. value can be varied by potentiometer R974 for ch. A or R977 for ch. B on unit A18.
28	INO	Same signal as SAMPLE CLOCK ODD but d.c. shifted. This d.c. value can be varied by potentiometer R894 for ch. A or R892 for ch. B on unit A18.

The output signals are buffered by emitter-followers V736 for EVEN and V766 for ODD and then applied to multiplexers D901 and D911 on the P²CCD unit A18.

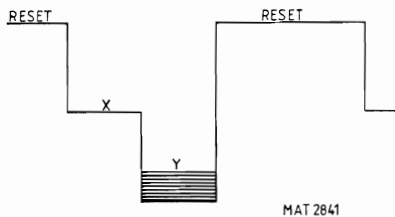


Figure 18.3 Output signal

While the output stage of the P²CCD is reset by the GRE signal its output voltage is about 19,2 V. This voltage is determined by a resistor divider network at the DRSE input.

When the RESET is removed, the output drops to an undefined level X. On the falling edge of the transport clock, the sample leaves the output stage of the P²CCD. Now the output voltage drops to level Y. The voltage difference between level X and level Y represents the value of the sample.

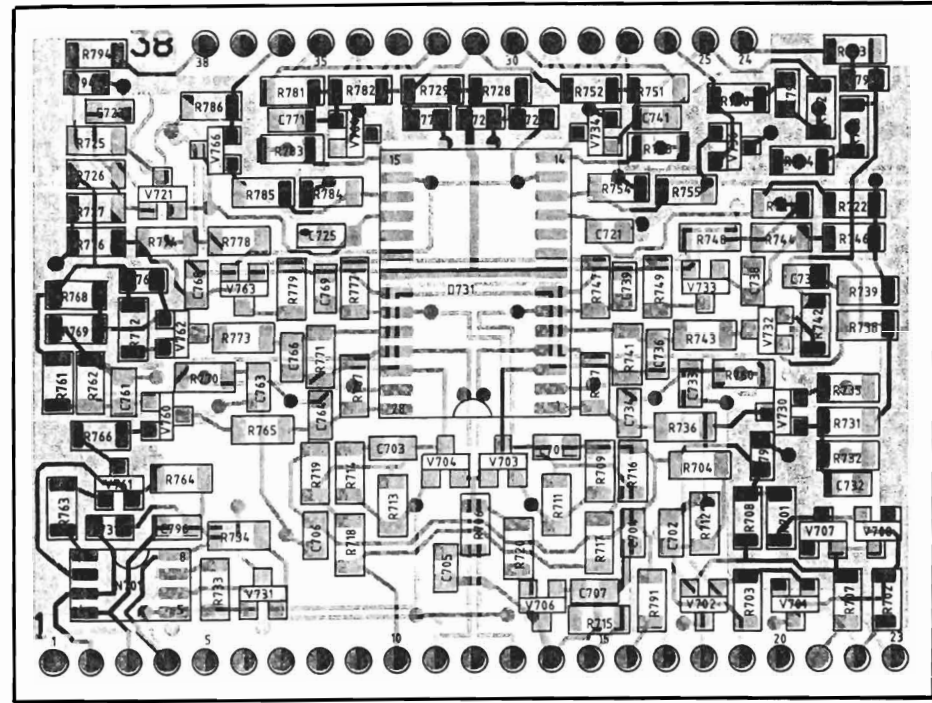
This voltage difference is detected by the input of the CIH circuit (see section 19.4).

The following table gives a list of sample clock frequencies and the slower read-out frequencies for all-time base position.

TIME/DIV	mode	sample clock freq.	read-out freq.
0,5 us	P	50 MHz	50 kHz
1 us	P	25 MHz	50 kHz
2 us	P	12,5 MHz	50 kHz
5 us	P	5 MHz	50 kHz
10 us	P	2,5 MHz	50 kHz
20 us	P	1,25 MHz	50 kHz
50 us	P	500 kHz	50 kHz
0,1 ms	P	250 kHz	50 kHz
0,2 ms	P	125 kHz	50 kHz
0,5 ms	D	50 kHz	50 kHz
1 ms	D	50 kHz	50 kHz
2 ms	D	50 kHz	50 kHz
5 ms	D	40 kHz	40 kHz
10 ms	D	40 kHz	40 kHz
20 ms	D	40 kHz	40 kHz
50 ms	D	40 kHz	40 kHz
0,1 s	D	40 kHz	40 kHz
0,2 s	D	40 kHz	40 kHz
0,5 s	D	40 kHz	40 kHz
1 s	R	40 kHz	40 kHz
2 s	R	40 kHz	40 kHz
5 s	R	40 kHz	40 kHz
10 s	R	40 kHz	40 kHz
20 s	R	40 kHz	40 kHz
50 s	R	40 kHz	40 kHz

18.4 SIGNAL NAME LIST

Signal name	Description	Signal source	Signal destination(s)
BARA	Barrier ch. A	R974	R725
BARB	Barrier ch. B	R977	R725
BIASA	Bias voltage ch. A	R894	N701
BIASB	Bias voltage ch. B	R892	N701
CH+A	Channel +A input	V616	R702
CH-A	Channel -A input	V617	R707
CH+B	Channel +B input	V622	R702
CH-B	Channel -B input	V621	R701
DCIA	DC level in ch. A	N921	R715
DCIB	DC level in ch. B	N922	R715
DCOA	DC level out ch. A	R717/R718	N921
DCOB	DC level out ch. B	R717/R718	N922
OUTAEV	Output ch. A even	V736	D911
OUTAOD	Output ch. A odd	V766	D901
OUTBEV	Output ch. B even	V736	D911
OUTBOD	Output ch. B odd	V766	D901
RSTEV-LT	Reset even	R407	R751
RSTOD-LT	Reset odd	R406	R781
SCEAM	Sample clock even ch. A	L806	D731
SCEBM	Sample clock even ch. B	L836	D731
SCOAM	Sample clock odd ch. A	L801	D731
SCOBM	Sample clock odd ch. B	L831	D731
TCEAM	Transport clock even ch. A	L822	D731
TCEBM	Transport clock even ch. B	L852	D731
TCOAM	Transport clock odd ch. A	L816	D731
TCOBM	Transport clock odd ch. B	L846	D731



MAT 3039
871016

Figure 18.4 Mini CCD unit p.c.b.

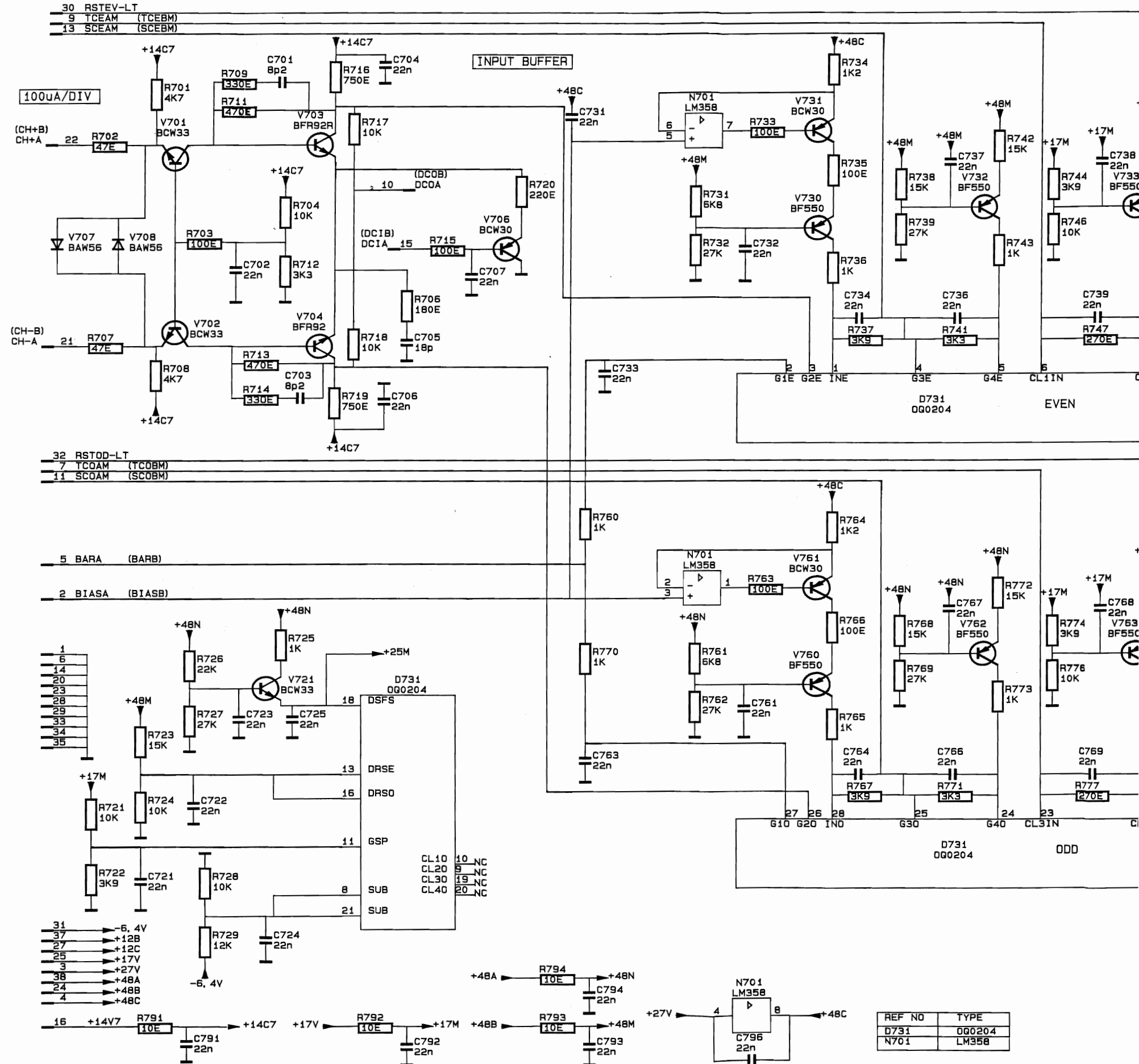
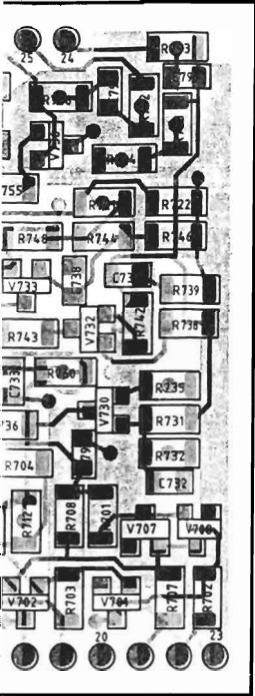


Fig.



MAT3039
871016

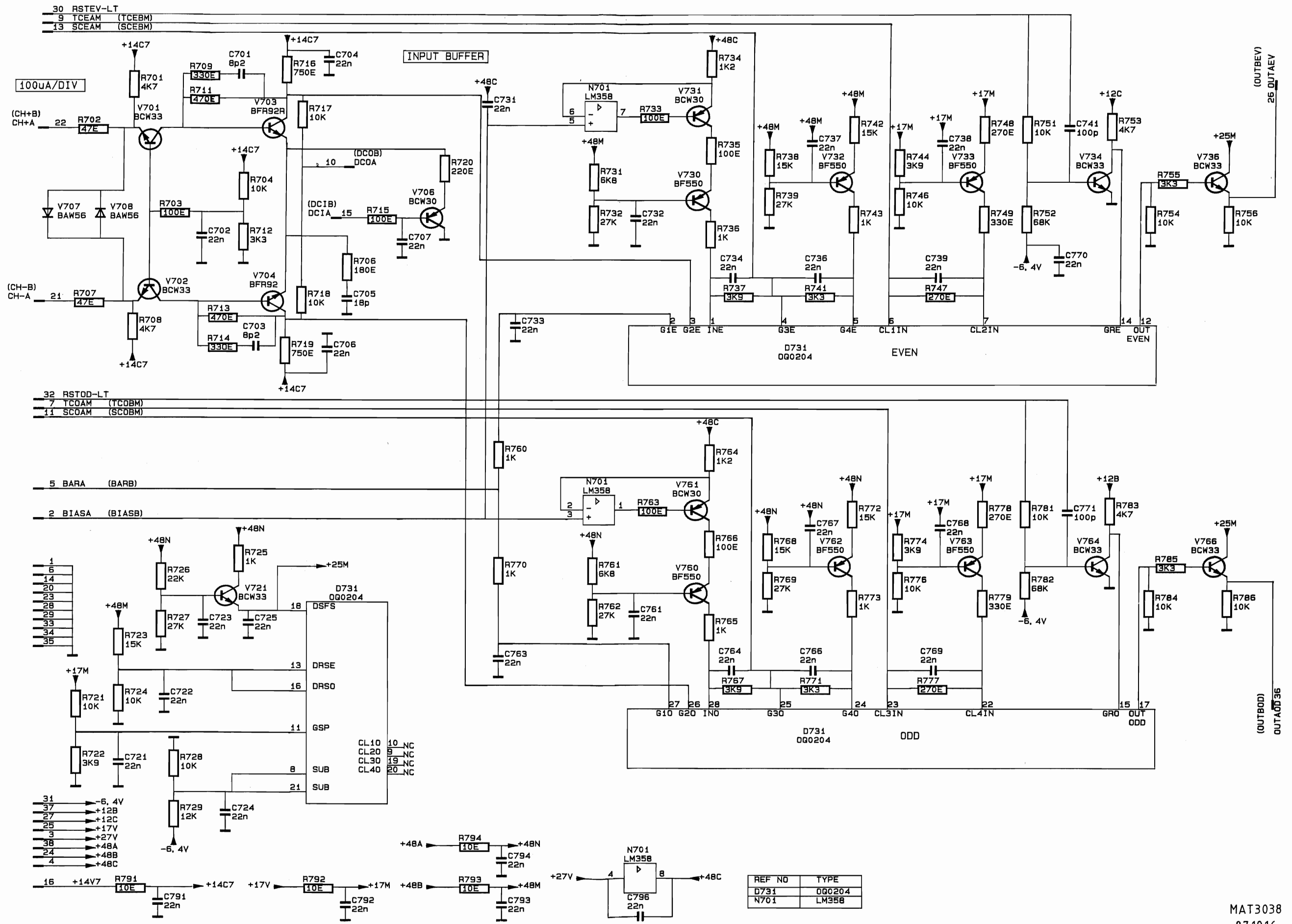


Figure 18.5 Circuit diagram of mini CCD unit

MAT3038
871016

19. P²CCD UNIT (A18)

The P²CCD unit consists of:

- The ACE (Advanced Customised ECL) device with associated circuit
- The clock drivers circuits.-The Mini CCD default circuits
- The P²CCD output circuit

Next, the two mini CCD units which are mounted on this unit are described separately in Chapter 18.

19.1 ACE (ADVANCED CUSTOMISED ECL)

The CCD logic and fast time-base divider are integrated in an ECL-GATE-ARRAY D801. It contains various fast dividers to generate the sample and transport clock from the FCH and FCL signals in P-mode. It also contains the logic for the change over to the slow clock (SWCK) for the read out stroke in P-mode. In the Direct mode the sample and transport clocks are derived from SWTB.

In D-mode, the sample and transport clock has a clock-frequency of 50 kHz (D1 mode) or 40 kHz (D2 mode). These frequencies are derived from signal SWCK (100 kHz in D1 mode and 80 kHz in D2 mode).

In P-mode the delay counter indicates the moment when the P²CCD is read. The delay counter consists of a 4-bit presettable counter internal in the ECL-GATE-ARRAY and a 16-bit external counter D887.

The output lines are at ECL level (-0,9 V...-1,7 V).

The output signals TCEV, CDRD, DTUF and DCC are buffered and converted into a TTL level.

The digital time-base generator in P-mode is driven by a 100 MHz crystal oscillator. The oscillator can be switched-on and -off by the signal OSCON-LT.

19.2 CLOCK DRIVERS

Each SAMPLE AND TRANSPORT clock driver consists of two transistors with a current source. To increase the bandwidth of the signal a coil is added between the collector and the gate capacitance of the P²CCD; the sample clock drivers are buffered by a bridged T-network.

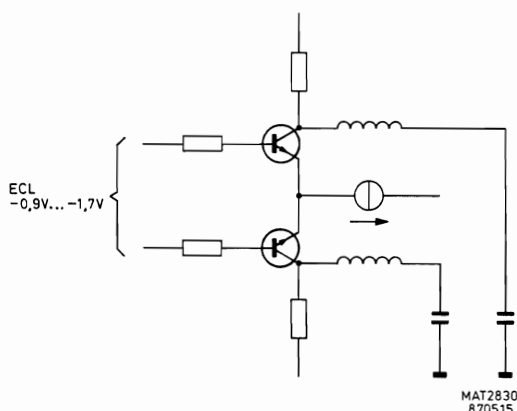


Figure 19.1 Principle of the sample clock drivers

The inputs are at ECL level (-0,9 V...1,7 V) and are derived from the ACE. These are converted into a 0 ... 9 V signal for the sample clock drivers or 0...6 V signal for the transport clock drivers.

19.3 MINI CCD DEFAULT CIRCUITS

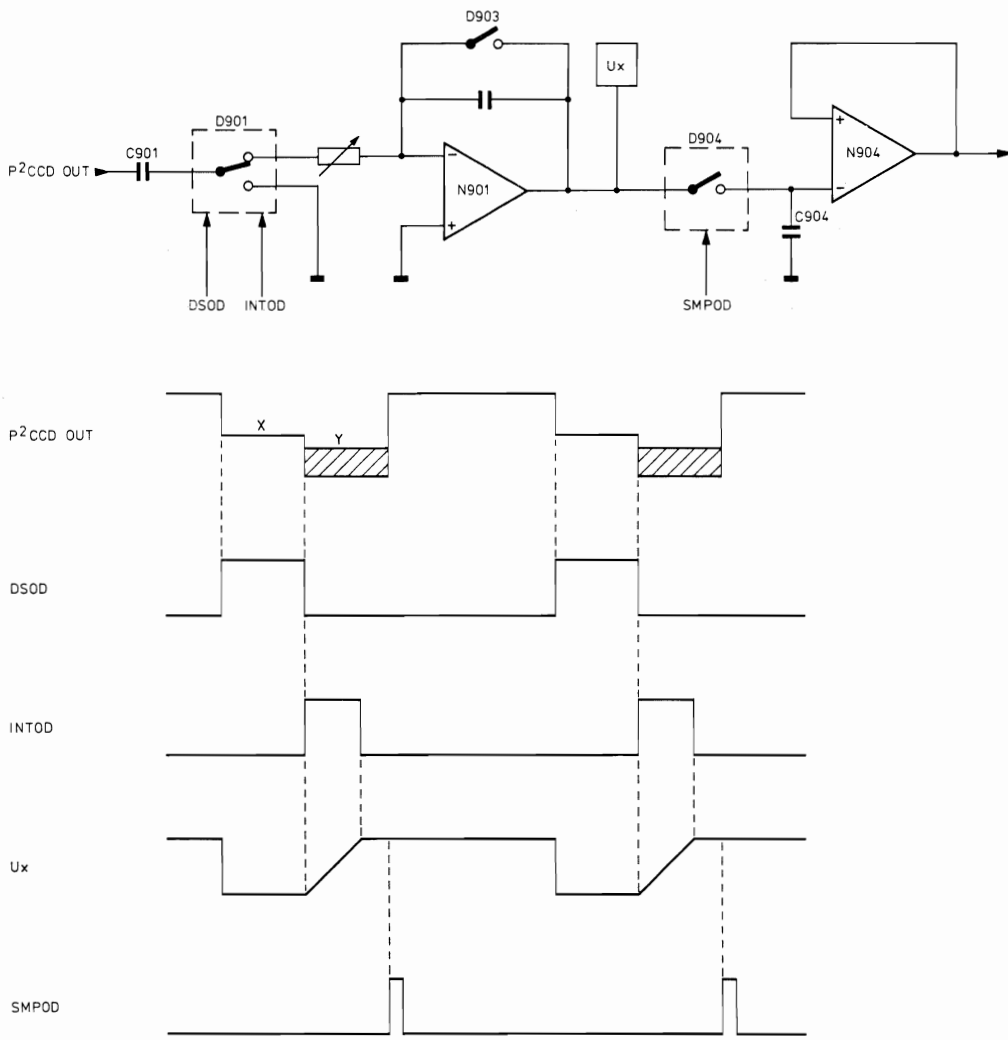
The default settings BIAS A (BIAS B) and +27 V for the P²CCD are obtained by resistor dividers or by a zener diode. The d.c. value of BIAS A (BIAS B) can be varied by potentiometer R894 (R892).

The level shifter D921 converts the TTL signals DISOD-HT, DISEV-HT, SPOD and SPEV into the same signals but at CMOS level (signal between 0...+12 V). The sample signal SAMPLEHT is split up into a sample Odd or sample Even signal by D922.

19.4 P²CCD OUTPUT

The P²CCD output circuit consists of 4 CIH (Clamp Integrate Hold) circuits followed by the analogue leakage correction.

Since channel A and B are identical, and the even and odd side of each channel are identical, only channel A odd side of the CIH is described.



MAT2831
870522

Figure 19.2 CIH circuit

The CIH receives its signal from the P²CCD.

The first stage is multiplexer D901, which serves as a level shifter. D901 detects the voltage difference between level X and Y which represents the value of the sample and sets the voltage reference level X to 0 V. When DSOD is high, capacitor C901 is clamped to ground and charged to the voltage X. Then, when INTOD is high, capacitor C901 passes this d.c. sample voltage Y-X to the next stage.

The second stage, integrator N901 has two functions: it filters and amplifies the sample voltage. During the time that INTOD is high the sample voltage is present and the output of N901 is rising linearly. Then when INTOD is low again, the output of N901 gives a constant voltage. Next, when DISOD is high capacitor C903 is short-circuited by D903 and is discharged so that it is ready for a new cycle. The output of this stage is buffered by a dual FET V903.

The third stage is the sample and hold circuit D904. The constant output voltage of the previous stage charges the hold capacitor C904 during the time that SMPOD is high.

If SMPOD is low, the capacitor C904 is isolated from the second stage and holds its charge; the output voltage of N904 is now constant.

The outputs of the odd and even signals of ch. A (B) are applied to the analogue leakage correction.

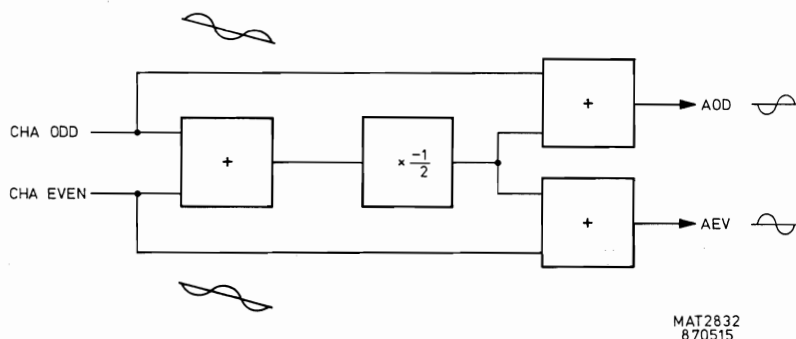


Figure 19.4 Analogue leakage correction.

The two samples CH.A ODD and CH.A EVEN contain the samples with a certain analogue common leakage. The odd and even signals are in anti-phase while the leakage is in phase. The circuit can be split into three phases:

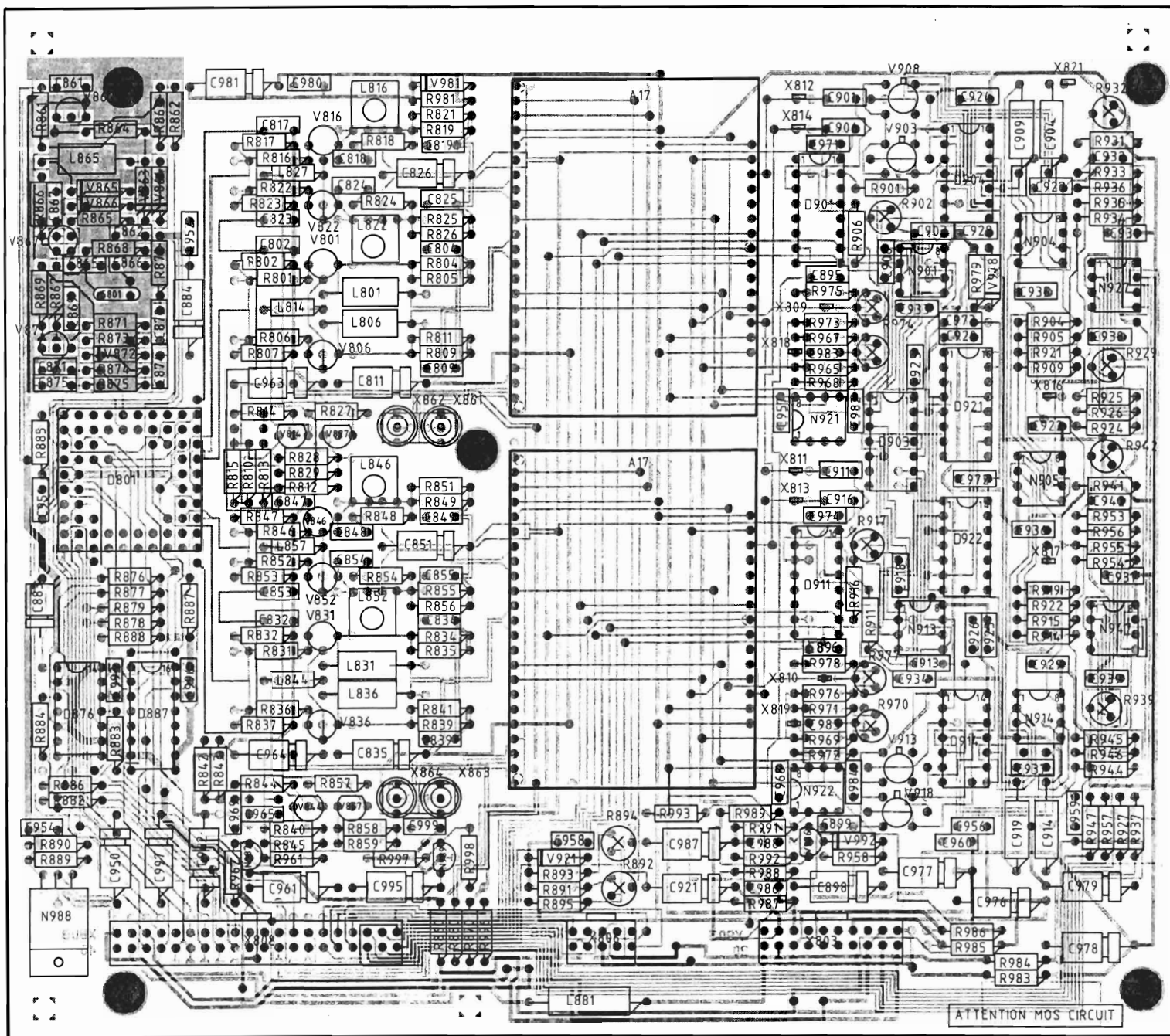
- Adding of both signals by R904 and R909. This results in a double leakage signal on N905-6.
- Amplifier by $-1/2$ by N905. The result is a pure leakage signal on N905-7.
- Adding the pure leakage signal to the ch. A odd (or: ch. A even) signal by N9267. This results in the AOD and AEV signals.

In this way, the final samples AOD and AEV are corrected for leakage. These samples are applied to the ADC circuit on unit A15.

19.5 SIGNAL NAME LIST

Signal name	Description	Signal source	Signal destination(s)
BARA	Barrier ch. A	R974	R760 - R770
BARA	Barrier ch. A	R974	R760 - R770
BARB	Barrier ch. B	R977	R760 - R770

Signal name	Description	Signal source	Signal destination(s)
BIASA	Bias voltage ch. A	R894	N701
BIASB	Bias voltage ch. B	R892	N701
CDRD-HT	CCD read	R883	D406 - D411
CHAOD	Channel A odd signal	R927	R501
CHAEV	Channel A even signal	R937	R502
CHBOD	Channel B odd signal	R947	R508
CHBEV	Channel B even signal	R957	R509
DCCLK	Delay counter clock	R886	D218
DCIA	DC level in ch. A	N921	R715
DCIB	DC level in ch. B	N922	R715
DCOA	DC level out ch. A	R717/718	R968
DCOB	DC level out ch. B	R717/718	R972
DCWE-HT	Delay counter write	D316	D801
DISEV-HT	Discharge even (5V)	R403	D921 - D922
DISOD-HT	Discharge odd (5V)	R404	D921 - D922
DSEV-HT	Discharge even (12V)	D921	D903
DSOD-HT	Discharge odd (12V)	D921	D903
DTTC-LT	Delay trigger terminal count	D218	D801
DTUF-HT	Delay trigger underslow	R884	D402
ED0...3	Buffered data bus	R413...R417	D801
EDC--LT	Enable delay counter	R401	D221 - D801
FCH	Fast clock high	R874	D801
FCL	Fast clock low	R875	D801
INTEV-HT	Integrate even	R411	D911
INTOD-HT	Integrate odd	R409	D901
OUTAEV	Output ch. A even	V736	D911
OUTAOD	Output ch A odd	V766	D901
OUTBEV	Output ch. A even	V736	D911
OUTBOD	Output ch. B odd	V766	D901
OSCON-LT	Oscillator on	D313	D401 - D406 - D801 - R862
RSSW	Reset slow clock	R407	D801
SAMPLEHT	Sample clock	R408	D922
SCEA	Sample clock even ch. A	D801	R806
SCEAM	Sample clock even ch. A	L806	D731
SCEB	Sample clock even ch. B	D801	R836
SCEBM	Sample clock even ch. B	L836	D731
SCOA	Sample clock odd ch. A	D801	R801
SCOAM	Sample clock odd ch. A	L801	D731
SCOB	Sample clock odd ch. B	D801	R831
SCOBM	Sample clock odd ch. B	L831	D731
SMPEV-HT	Sample even	D921	D914
SMPOD-HT	Sample odd	D921	D904
STWE-HT	Status write	D316	D801
SWCK	Slow clock	D412	D801
SWTB	Slow time base	D218	D801 - D412
TBWE-HT	Time base write	D316	D801
TCEA	Transport clock even ch. A	D801	R822
TCEAM	Transport clock even ch. A	L822	D731 - R747
TCEB	Transport clock even ch. B	D801	R852
TCEBM	Transport clock even ch. B	L852	D731 - R747
TCEV-LT	Transport clock even	R882	D401 - D408 - D411
TCOA	Transport clock odd ch. A	D801	R816
TCOAM	Transport clock odd ch. A	L816	D731 - R777
TCOB	Transport clock odd ch. B	D801	R846
TCOBM	Transport clock odd ch. B	L846	D731 - R777



MAT3044
871016

Figure 19.4 P²CCD unit p.c.b.

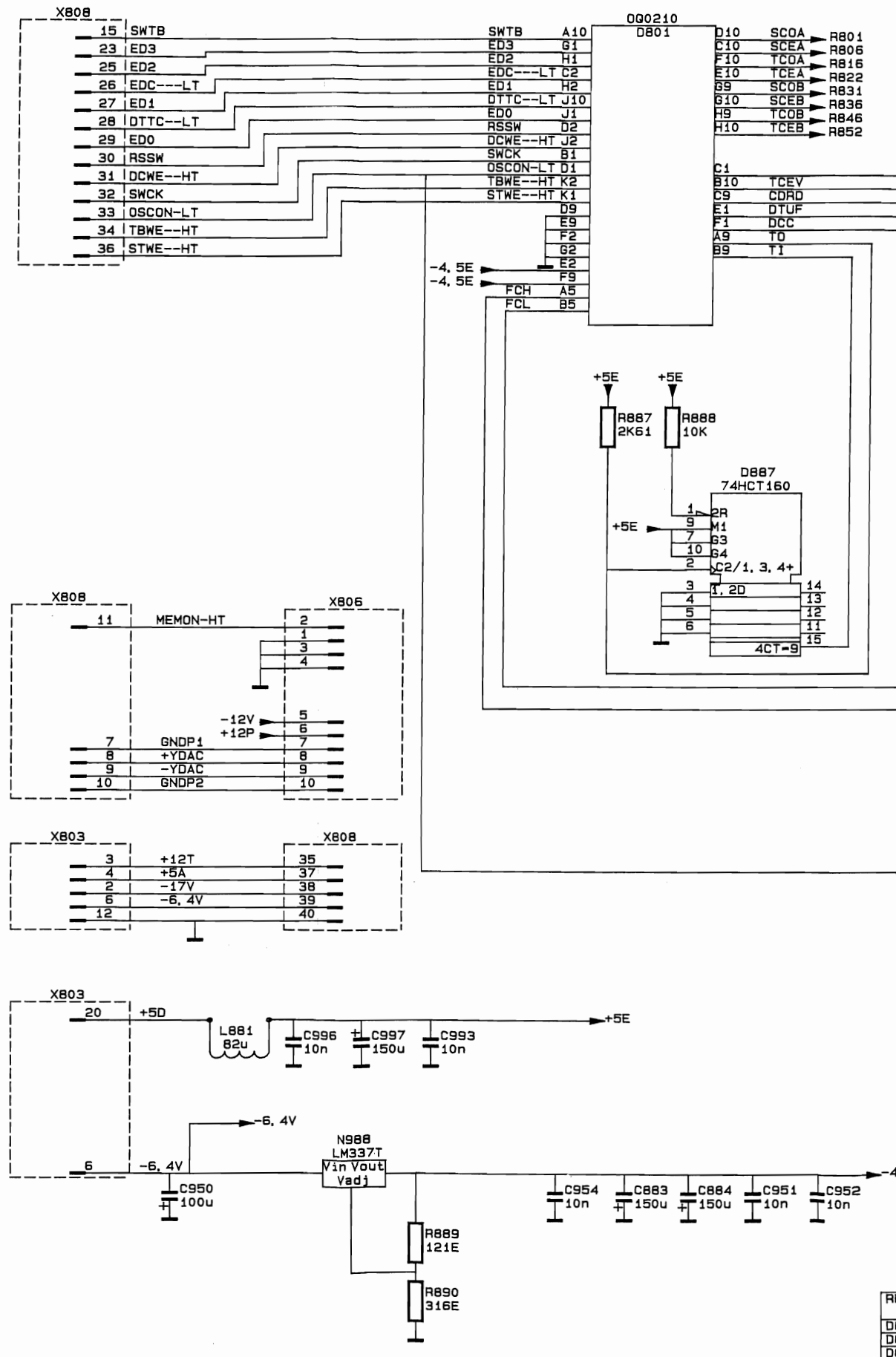
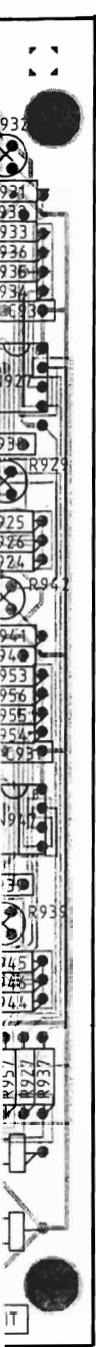
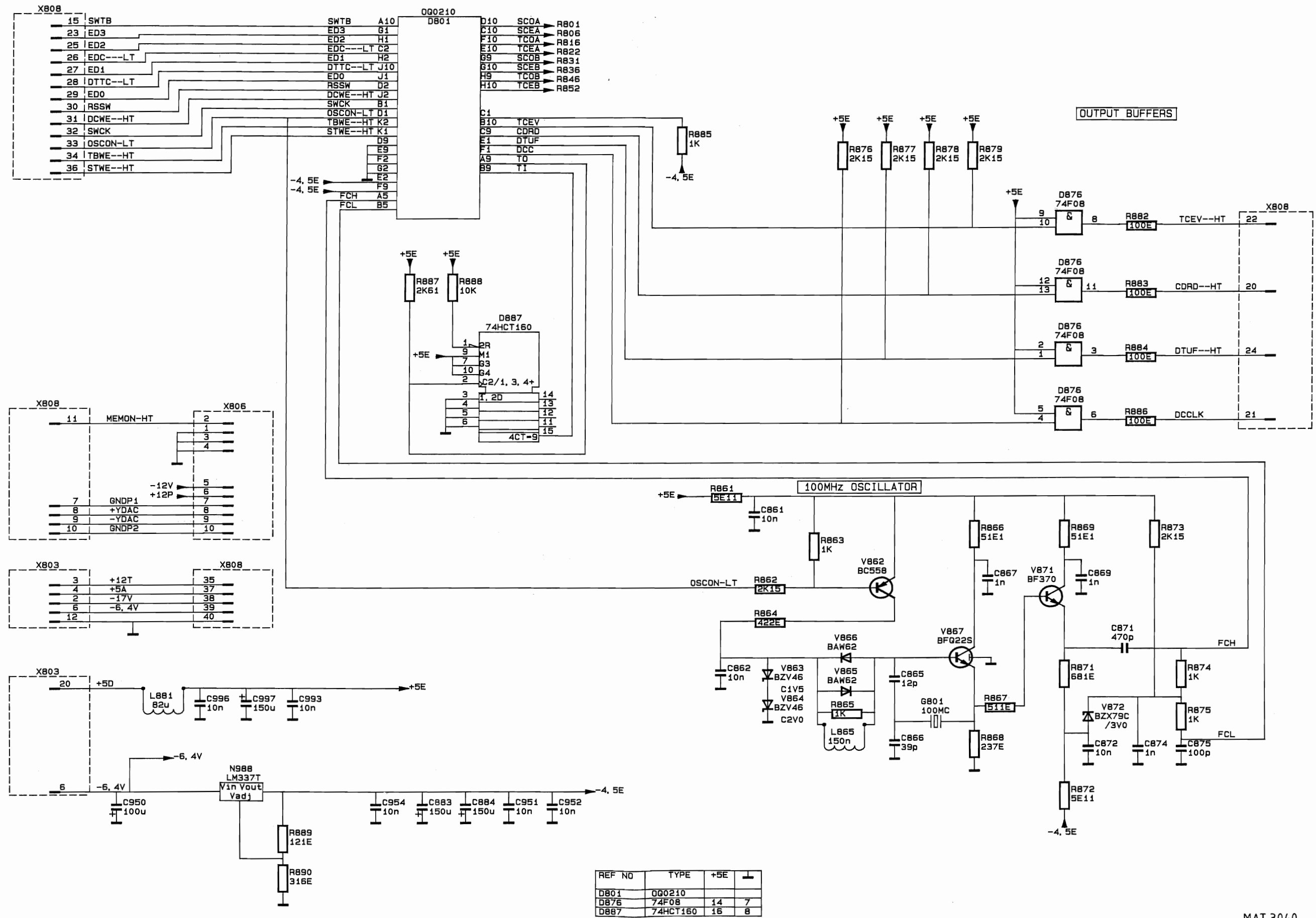


Figure 19.5 Circuit diagram of P²CCD, ACE



MAT3044
871016

REF NO	TYPE	+5E	-
D801	QG0210		
D876	74F08	14	7
D887	74HCT160	16	8

Figure 19.5 Circuit diagram of P²CCD, ACE

MAT 3040
871016

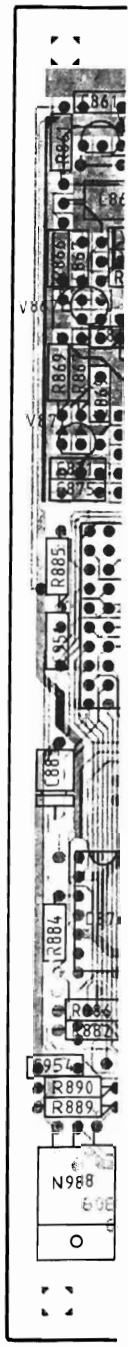
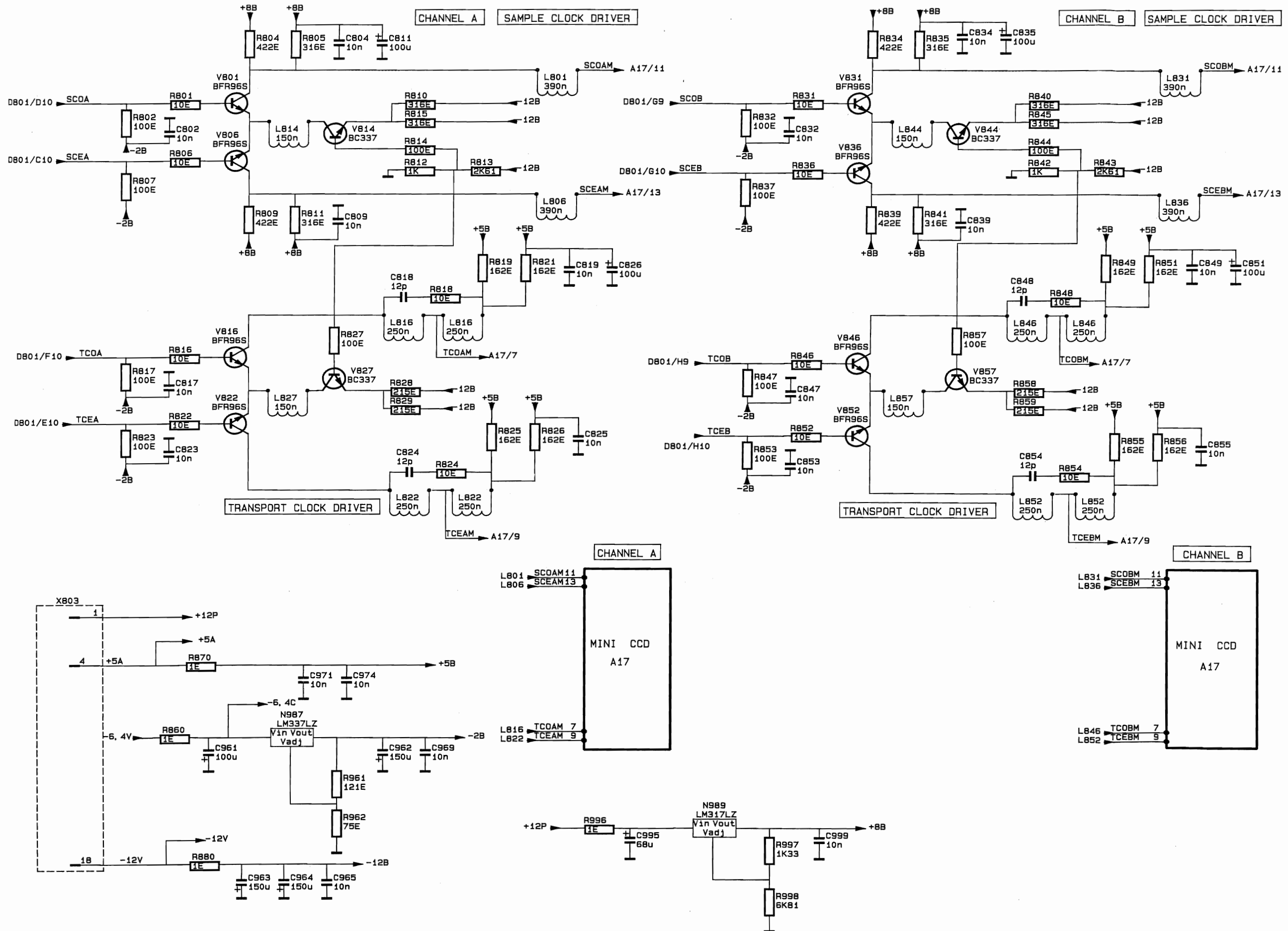
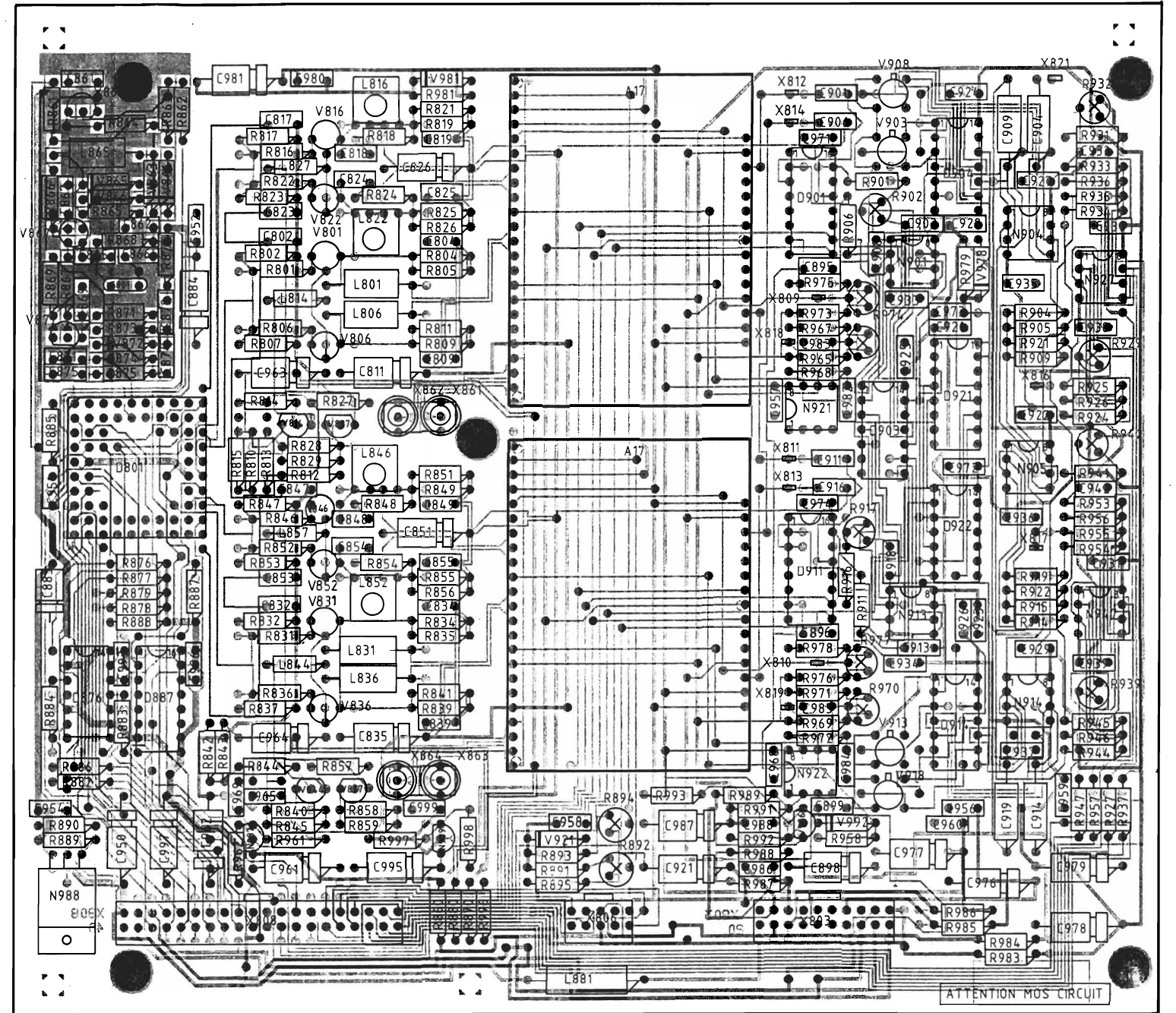
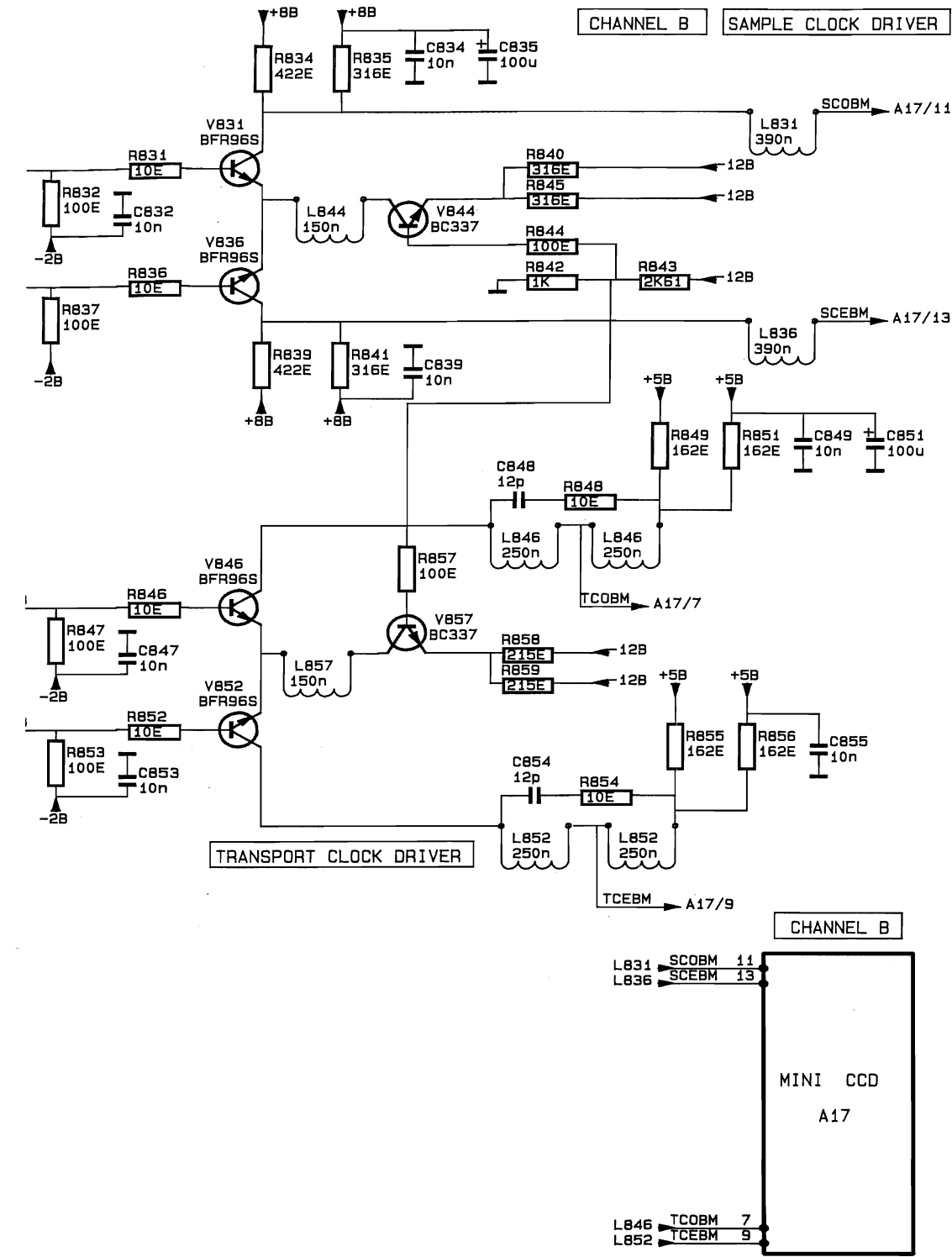
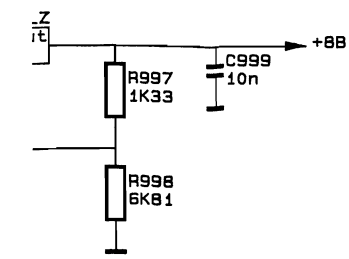


Figure 19.6 Circuit diagram of P²CCD, clock drivers



MAT3044
871016

Figure 19.7 P²CCD unit p.c.b.



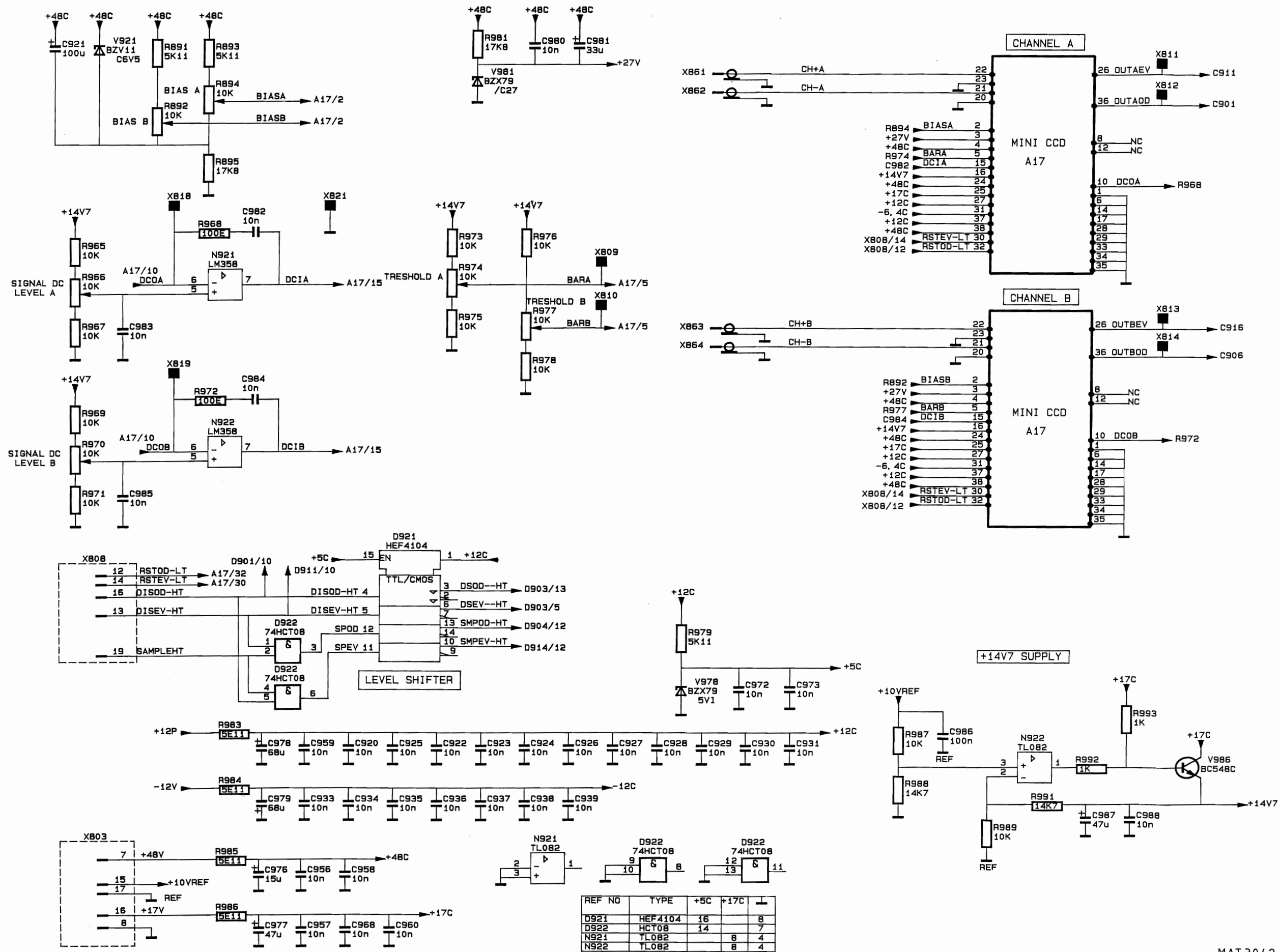
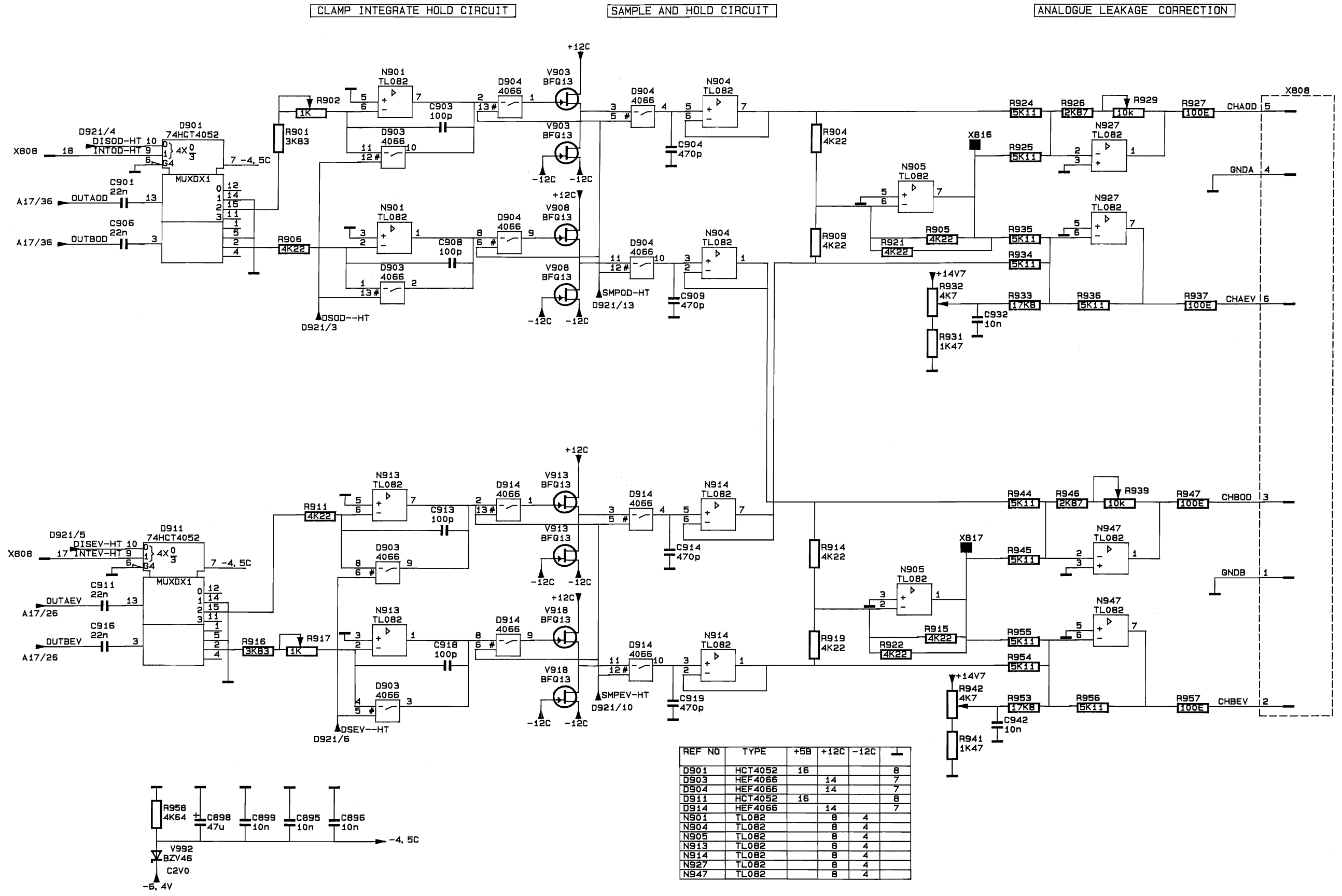


Figure 19.8 Circuit diagram of P²CCD, part 3

MAT 3042
871016



MAT 3043
871016

Figure 19.9 Circuit diagram of P²CCD, CIH circuit

20. PERFORMANCE CHECK

20.1 GENERAL INFORMATION

WARNING: Before switching-on, ensure that the instrument has been installed in accordance with the Installation Instructions outlined in Section 2 of the Operating Manual.

This procedure is intended to:

- Check the instruments' specification.
- Be used for incoming inspection to determine the acceptability of newly purchased instruments and/or recently recalibrated instrument.
- Check the necessity of recalibration after the specified recalibration intervals.

NOTE: The procedure does not check every facet of the instruments calibration; rather, it is concerned primarily with those parts of the instrument which are essential to measurement accuracy and correct operation. Removing the instruments covers is not necessary to perform this procedure. All checks are made from the outside of the instrument.

If the test is started within a short period after switching-on, bear in mind that steps may be out of specification, due to insufficient warming-up time.

Warming-up time under average conditions is 30 minutes.

The performance checks are made with a stable, well-focussed, low-intensity display. Unless otherwise noted, adjust the intensity and trigger-level controls as needed.

IMPORTANT NOTES

- * At the start of every check, the controls always occupy the AUTO SET position, unless otherwise stated.
- * The input voltage has to be supplied to the A-input; unless otherwise stated. Set the TIME/DIV switch to a suitable position; unless otherwise stated.
- * Tolerances given are for the instrument under test and do not include test equipment error.
- * In this chapter in some checks channel B is mentioned between brackets behind channel A. It is advised to perform first channel A checks. After that the checks for channel B can be done.

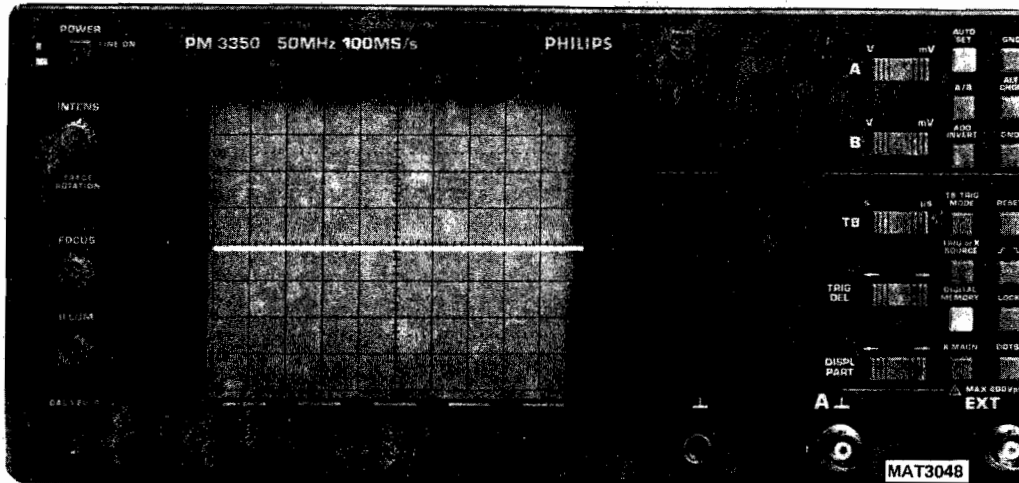


Figure 20.1 SOFTSTART condition

20.2 PRELIMINARY SETTINGS

- Switch-on the instrument (no input signal).
- Check if all LCD segments are on for approx. 1 sec.
- Press MENU and AUTO SET in sequence.
- Check if the frontcontrols are set the softstart condition as indicated in figure 20.1.
- At the start of every check only AUTO SET must be pressed (after the input signal is applied).

20.3 RECOMMENDED TEST EQUIPMENT

The test equipment that must be used for this performance check is as given in section 22.2, except:

Trimming tool kit
 Oscilloscope
 Digital multimeter

20.4 CHECKING PROCEDURE

20.4.1 POWER SUPPLY (characteristics section 2.14)

*	SUBJECT	Line voltage input
	TEST EQUIPMENT	Variable mains transformer
	MAINS VOLTAGE	Between 100 V and 240 V ac (r.m.s.) Frequency: 50 Hz...400 Hz
	SETTINGS	- Press POWER ON - Apply CAL signal to input A - Press AUTO SET
	REQUIREMENTS	- Starts at any mains voltage between 100 V...240 V ac (r.m.s.) - Instruments performance does not change over indicated mains voltage range; displayed CAL signal distortion-free and with equal intensity.
	MEASURING RESULTS
*	SUBJECT	Power Consumption (ac source)
	TEST EQUIPMENT	Wattmeter (moving iron meter)
	MAINS VOLTAGE	Mains voltage 220 V (r.m.s.).
	SETTINGS	Press POWER ON
	REQUIREMENTS	Consumes : 70 W
	MEASURING RESULTS

20.4.2 VERTICAL DEFLECTION OR Y-AXIS (characteristics section 2.2)

*	SUBJECT	Vertical Deflection coefficients and input coupling of Channels A and B
	TEST EQUIPMENT	Square-wave calibration generator (PG506)
	INPUT VOLTAGE	Square-wave signal 1 kHz to input A(B), amplitude 10 mVpp...20 Vpp in 1-2-5 steps
	SETTINGS AND REQUIREMENTS	- Apply a 1 kHz square wave signal of 5 mV to input A(B) - Set A (B) to 2 mV/div. - Check if the amplitude of the signal is 5 div. (+or- 3%) - Increase the input amplitude and vertical sensitivity with the following steps:

Input voltage (pp)	A (B) setting	Requirements	Measuring results
10 mV	2 mV	5 div.(+or-3%)
20 mV	5 mV	4 div.(+or-3%)
50 mV	10 mV	5 div.(+or-3%)
0,1 V	20 mV	5 div.(+or-3%)
0,2 V	50 mV	4 div.(+or-3%)
0,5 V	100 mV	5 div.(+or-3%)
1 V	200 mV	5 div.(+or-3%)
2 V	500 mV	4 div.(+or-3%)
5 V	1 V	5 div.(+or-3%)
10 V	2 V	5 div.(+or-3%)
20 V	5 V	4 div.(+or-3%)
50 V	10 V	5 div.(+or-3%)

- * SUBJECT Variable gain control range (continued procedure of previous subject)
- SETTING - Turn VAR control fully anti-clockwise
- REQUIREMENTS - Check if displayed amplitude < 2 div. (1: $> 2,5$)
- MEASURING RESULTS
- * SUBJECT Input coupling (continued procedure of previous subject)
- SETTINGS AND REQUIREMENTS - Turn VAR control fully clockwise.
- Press "0"; check if input signal is interrupted.
- Press "0" again and then AC/DC
- Check if in DC position the signal shifts upwards
- MEASURING RESULTS
- * SUBJECT Frequency response
- TEST EQUIPMENT Constant amplitude sine-wave generator (SG503)
- INPUT VOLTAGE Constant amplitude sine-wave signal, 120 mV frequency 50 kHz...50 MHz to input A (B).
- SETTINGS AND REQUIREMENTS - Set A (B) to 20 mV/div.
- Apply 50 kHz sine-wave signal to A (B)
- Adjust trace height to exactly 6 div.
- Increase the frequency of the input signal up to 50 MHz.
- Check if the vertical deflection is $\geq 4,2$ div. (-3 dB) over the complete bandwidth range (> 50 MHz).
- Reduce the amplitude of the input signal to 12 mV and the frequency to 50 kHz.
- Set A (B) to 2 mV.
- Adjust the trace height to exactly 6 div.
- Increase the frequency up to 35 MHz.
- Check if the vertical deflection is $\geq 4,2$ div. (-3 dB) over the complete bandwidth range (> 35 MHz)
- MEASURING RESULTS
- * SUBJECT Rise-Time
- IMPORTANT THE RISE TIME IS A CALCULATED VALUE, ACCORDING FORMULA: BANDWIDTH X RISE-TIME = 0,35
- TEST EQUIPMENT Fast-rise square-wave generator (PG506)
- INPUT VOLTAGE Fast-rise square-wave signal ≤ 1 ns to input A (B) frequency: 1MHz.
- SETTINGS - Set A(B) to 50 mV/div
- Press TB MAGN
- Set TB to 5 ns/div
- Adjust the trace height exactly between the dotted lines 0% and 100% (5 div.)

REQUIREMENTS

Important: $T_R(\text{measured}) =$

$$\sqrt{T_R(\text{input signal})^2 + T_R(\text{oscilloscope})^2}$$

- Check the rise-time, measured between the 10% and 90% lines (4 div.);
- * rise-time must be: 7 ns or less (1,4 subdiv. or less).

MEASURING RESULTS

- * SUBJECT Pulse response
- TEST EQUIPMENT Fast-rise square-wave generator (PG506)
- INPUT VOLTAGE Fast-rise square-wave signal (≤ 1 ns) to input A (B)
- SETTINGS AND REQUIREMENTS NOTE: Take the pulse distortion of the calibration generator (2%) into account when performing the now following calibration steps. The pulse response of the signal at the output of the generator is optimal with max. pulse amplitude.
- The required fast rise-time square-wave must be obtained from the square-wave generator.
 - Adjust channel A (B) to an input sensitivity of 20 mV/div.
 - Select DC input coupling for channel A (B)
 - Apply a 1 MHz/5 div. (+ and - 2,5 div.) square-wave signal with a rise-time of 1 ns to input A (B)
 - Set TB to 50 ns/div.
 - Press TB MAGN on.
 - Check the pulse response;
 - * Overshoot, ringing and rounding: <1,5 subdiv. p-p
 - * Duration of ringing: 20 ns (ringing must be ended when amplitude is 1/3 of starting amplitude)
 - * Hole or bump: <0,7 subdiv. (peak)
 - * Drop or tilt: <0,7 subdiv. (peak)

MEASURING RESULTS

- * SUBJECT Noise
- TEST EQUIPMENT -
- INPUT VOLTAGE -
- SETTINGS
- Set channel A and B to 20 mV/div.
 - Press A/B: channel A and B on
 - Press ALT/CHOP for CHOP mode
 - Press AC/DC of both channels for DC input coupling
- REQUIREMENT
- Check if the traces are not thicker than 0,5 subdiv.
- MEASURING RESULTS

*	SUBJECT	Vertical Dynamic range
	TEST EQUIPMENT	Constant amplitude sine-wave generator
	INPUT VOLTAGE	Sine-wave signal of 10 MHz, 2,4 Vpp to input A(B)
	SETTINGS	<ul style="list-style-type: none"> - Apply sine-wave signal of 10 MHz, 2,4 Vpp to input A(B). - Set A (B) to 100 mV/div. - Shift with the Y POS control the sine-wave vertically over the screen.
	REQUIREMENT	- Check if the top and bottom of the sine-wave signal can be displayed distortion-free (24 div. trace height).
	INPUT VOLTAGE	Sine-wave signal of 50 MHz, 1,6 Vpp to input A(B)
	SETTINGS	<ul style="list-style-type: none"> - Set A (B) to 200 mV/div. - Set the trace height to exactly 8 div. - Increase the frequency of the input signal up to 50 MHz
	REQUIREMENT	- Check if a sine-wave signal of 8 div. is displayed distortion-free.
	MEASURING RESULTS
*	SUBJECT	Position range (vertical)
	TEST EQUIPMENT	LF Sine-wave generator
	INPUT VOLTAGE	Sine-wave signal of 1 kHz, 8 V to input A(B)
	SETTINGS	<ul style="list-style-type: none"> - Adjust the channel A (B) input sensitivity to 1 V/div. - Apply a sine-wave of 1 kHz/8 div. to the channel A (B) input. - Adjust the channel A (B) input sensitivity to 500 mV/div. - Rotate the channel A (B) Y POS control fully clockwise and anti-clockwise
	REQUIREMENT	- Check if the top and the bottom of the signal can be positioned on the vertical centre line of the screen.
	MEASURING RESULTS
*	SUBJECT	Decoupling factor between channels A and B at 10 MHz
	TEST EQUIPMENT	Sine-wave calibration generator (SG503)
	INPUT VOLTAGE	Sine-wave signal 10 MHz, 4 V to input A(B)
	SETTINGS	<ul style="list-style-type: none"> - Set channel A and B to 0,5 V/div. - Apply sine-wave input signal to input A(B) - Press AUTO SET - Set the trace height to 8 div. - Press A/B (channel with input signal off).
	REQUIREMENTS	- Check if trace height of channel without input signal B(A) is < 0,08 div. (1:>100)
	MEASURING RESULTS

- * SUBJECT Decoupling factor between channels A and B at 50 MHz
- TEST EQUIPMENT HF sine-wave generator (SG503)
- INPUT VOLTAGE 50 MHz sine-wave signal, 4 V to input A(B)
- SETTINGS - Do the same settings as indicated above
- REQUIREMENTS - Check if trace height of channel without input signal B(A) is <0,16 div. (1:>50)
- MEASURING RESULTS
- * SUBJECT Common Mode Rejection Ratio
- TEST EQUIPMENT HF constant Amplitude sine-wave generator (SG503)
- INPUT VOLTAGE Sine wave signal 1 MHz, 4 Vpp to inputs A and B
- SETTINGS - Set A and B to 500 mV/div. (8 div.)
 - Set input coupling of channels A and B to DC
 - Adjust the VAR controls for minimum trace height difference of channel A and B
 - Press ADD/INVERT three times (ADD and INVERT on)
- REQUIREMENT - Check if the trace height of the A-B signal is <0,08 div.
- MEASURING RESULTS
- * SUBJECT LF linearity (vertical)
- TEST EQUIPMENT LF square-wave generator
- INPUT VOLTAGE Square-wave signal 50 kHz, 200 mV to input A(B)
- SETTINGS - Set A (B) to 100 mV/div.
 - Set the square-wave signal in the vertical centre of the screen.
 - Adjust the square-wave signal to exactly 2 div. trace height.
 - Shift the signal with the Y POS control to the two upper and lower div. of the screen.
- REQUIREMENT - Check if the trace height in the two upper and lower div. is 2 div. (max. ampl. deviation must be <3%)
- MEASURING RESULTS
- * SUBJECT Visual Signal Delay
- TEST EQUIPMENT Square wave calibration generator (PG506)
- INPUT VOLTAGE Fast-rise input signal 1 MHz, <u>1 ns</u>, 0,5 V to input A
- SETTINGS - Apply fast-rise input signal to input A
 - Press AUTO SET
 - Set A to 100 mV/div.
 - Set MAIN TB to 50 ns/div.
 - Press TB MAGN and turn X POS
 - Set INTENSITY fully clock-wise
- REQUIREMENT - Check if visual signal delay is >15 ns
- MEASURING RESULTS

* SUBJECT Base line jump

TEST EQUIPMENT -

INPUT VOLTAGE -

SETTINGS Attenuator balance

- This check must be done in the service menu OFFS-A.
To enter this menu proceed as follows:
- Press MENU and keep it pressed and then press AUTO SET.
- Select OFFS-A of CRT function controls.
- Check LCD display: "3.0" flashing.
- The attenuator is now switched between the 1-2-5 positions.
- Check if the base line do not jump more than 1,5 subdiv.

VAR balance

- Press mV of ch. A UP-DOWN control.
- Check LCD display: "3.1" flashing.
- Rotate VAR control of channel A and B
- Check if the base lines do not jump more than 1 subdiv.

X1/X10 attenuator offset

- Press mV of ch. A UP-DOWN control.
- Check LCD display: "3.2" flashing.
- Check if the base lines do not jump more than 1 subdiv.

NORMAL-INVERT jump

- Press mV of ch. A UP-DOWN control four times.
- Check LCD display: "3.6" flashing.
- Check if the displayed point does not jump more than 1 subdiv.
- Press AUTO SET two times to leave the SERVICE MENU

MEASURING RESULTS

20.4.3

HORIZONTAL DEFLECTION OR X-AXIS
(characteristics section 2.3)

*	SUBJECT	OFFSET of trigger point
	TEST EQUIPMENT	-
	INPUT VOLTAGE	-
	SETTINGS AND REQUIREMENT	<ul style="list-style-type: none"> - This check must be done in the SERVICE MENU OFFS-A. To enter this menu proceed as follows: - Press MENU and keep it pressed and then press AUTO SET. - Select OFFS-A of CRT function controls. - Press mV of ch. A UP-DOWN control three times. - Check LCD display: "3.3" flashing. - Turn Y POS of channel B and set the point in vertical centre of the screen. - Check if the displayed point does not jump more than 1,5 subdiv horizontally - Press mV of ch. A UP-DOWN control. - Check LCD display: "3.4" flashing. - Turn Y POS of A and set point in the vertical centre - Check if the displayed point does not jump more than 1,5 subdiv. horizontally - Press mV of ch. A UP-DOWN control. - Check LCD display: "3.5" flashing. - Turn Y POS of B and set point in vertical centre - Check if the displayed point does not jump more than 1,5 subdiv. - Press AUTO SET two times to leave the SERVICE MENU
	MEASURING RESULTS
*	SUBJECT	X Deflection
	TEST EQUIPMENT	LF sine-wave generator
	INPUT VOLTAGE	Sine wave signal 2 kHz, 3 div. trace height to input A
	SETTINGS AND REQUIREMENTS	<ul style="list-style-type: none"> - Press AUTO SET - Set the trace height to 3 div. - Press X DEFL - Check if only X DEFL is on - Select A of trigger source - Check if a line under an angle of 45° is displayed.
	MEASURING RESULTS
*	SUBJECT	Deflection coefficient
	TEST EQUIPMENT	Time marker generator (TG501)
	INPUT VOLTAGE	Time marker signal 50 ns...0,5 s
	SETTINGS	<ul style="list-style-type: none"> - Apply a time marker signal of 50 ns to input A - Press AUTO SET

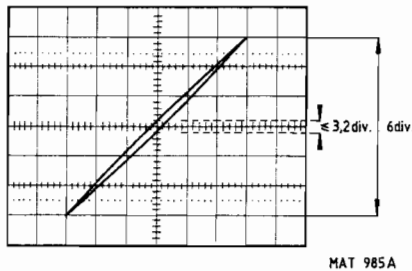
REQUIREMENT - Check the deflection coefficients in TB X1 and TB X10 according the table below:

Time marker pulse	TB setting	Max. coeff. error		Measuring results
		TB X1	TB X10 TB MAGN on	
50 ns	50 ns	3%	4%
0,1 us	0,1 us	3%	4%
0,2 us	0,2 us	3%	4%
0,5 us	0,5 us	3%	4%
1 us	1 us	3%	4%
2 us	2 us	3%	4%
5 us	5 us	3%	4%
10 us	10 us	3%	4%
20 us	20 us	3%	4%
50 us	50 us	3%	4%
0,1 ms	0,1 ms	3%	4%
0,2 ms	0,2 ms	3%	4%
0,5 ms	0,5 ms	3%	4%
1 ms	1 ms	3%	4%
2 ms	2 ms	3%	4%
5 ms	5 ms	3%	4%
10 ms	10 ms	3%	4%
20 ms	20 ms	3%	4%
50 ms	50 ms	3%	4%
0,1 s	0,1 s	3%	4%
0,2 s	0,2 s	3%	4%
0,5 s	0,5 s	3%	4%

- * SUBJECT Variable control ratio (VAR TB) and TB Magnifier balance
- TEST EQUIPMENT Time marker generator (TG501)
- INPUT VOLTAGE Time marker signal 1 us to input A
- SETTINGS
 - Set TB to 0,2 us/div; marker on first and sixth graticule line
 - Set the TB VAR fully anti-clockwise
- REQUIREMENT
 - Check if the VAR control range overlaps the time base steps 0,2 us to 0,5 us; first marker on first graticule line and second marker on the third graticule line or closer to the first marker (2,5:1)
- SETTINGS
 - Set the TB VAR control fully clockwise
 - Set the top of the second marker pulse exactly in the horizontal centre of the graticule
 - Press TB MAGN (on)
- REQUIREMENT
 - Check if the top of the second marker pulse is not shifted more than 2,5 subdiv.
- MEASURING RESULTS

*	SUBJECT	Horizontal Deflection coefficients
	TEST EQUIPMENT	Sine wave generator
	INPUT VOLTAGE	Sine wave signal 2 kHz, 4 div. trace height to input A
	SETTINGS	<ul style="list-style-type: none"> - Press EXT X DEFL - Press A/B twice for only ch. B display - Select A as X DEFL source with TRIG or X SOURCE
	REQUIREMENT	- Check if a horizontal line of 4 div. is displayed (+or- 5%).
	INPUT VOLTAGE	- Sine wave signal 2 kHz, 1 V to input EXT
	SETTINGS AND REQUIREMENTS	<ul style="list-style-type: none"> - Select EXT with TRIG or X SOURCE - Press X DEFL - Check if a horizontal line of 10 div. (+or- 5%) is displayed. - Select LINE with TRIG or X SOURCE - Check if a horizontal line is displayed of approx 6 div. (at 220 V mains voltage)
	MEASURING RESULTS
*	SUBJECT	Frequency response (horizontal)
	TEST EQUIPMENT	Constant amplitude sine-wave generator (PG506)
	INPUT VOLTAGE	Constant amplitude sine-wave signal, 30 mV, 50 kHz...2 MHz to input A
	SETTINGS	<ul style="list-style-type: none"> - Set A to 5 mV/div - Apply a 50 kHz sine-wave signal to input A - Adjust the trace height to exactly 6 div. - Press X DEFL - Select A as horizontal deflection source with TRIG or X SOURCE - Adjust the input voltage for exactly 6 div. horizontal deflection - Increase the frequency of the input signal up to 2 MHz
	REQUIREMENTS	- Check if the trace width is > 4,2 div. (-3 dB) over the complete bandwidth range.
	MEASURING RESULTS
	TEST EQUIPMENT	LF Sine-wave generator
	INPUT VOLTAGE	Sine-wave signal, 10 Hz, 6 div. trace height to input A
	SETTINGS	<ul style="list-style-type: none"> - Set the vertical deflection of A to exactly 6 div. - Select X DEFL and A as X DEFL source - Decrease the frequency of the input signal.
	REQUIREMENT	- Check if the frequency of the input signal is much lower than 10 Hz at a trace width of 4,2 div.
	MEASURING RESULTS

- * SUBJECT Maximum phase shift between horizontal and vertical deflection.
- TEST EQUIPMENT LF sine-wave generator
- INPUT VOLTAGE Sine wave signal, 2 kHz...100 kHz, trace height 6 div.
- SETTINGS
 - Press X DEFL
 - Select A for horizontal deflection with TRIG or X SOURCE
 - Set the trace height to exactly 6 div.
 - Increase the input frequency up to 100 kHz.
- REQUIREMENT
 - Check if the phase shift $< 3^\circ$ (see figure below)



MEASURING RESULTS

20.4.4 TRIGGERING (characteristics section 2.4.)

- * SUBJECT Trigger Sources and trigger coupling
- TEST EQUIPMENT Square-wave generator
- INPUT VOLTAGE Square-wave signal 2 kHz, 4 div. trace height to input A (EXT)
- SETTINGS AND REQUIREMENTS
 - Set the trace height to 4 div.
 - Press TRIG COUPL and select DC
 - Adjust LEVEL for a triggered signal
 - Check if a square wave signal is displayed of 4 div.
 - Press TRIG COUPL and select p-p
 - Turn LEVEL and check if the signal is triggered over the complete level range.
 - Connect CAL signal to input B
 - Set B to 200 mV.
 - Select B as trigger source with TRIG or X SOURCE (A is not triggered)
 - Check if a square wave of 6 div. is displayed
 - Increase the freq. of the square-wave signal to input A up to 20 kHz (CAL signal to B)
 - Press TRIG or X SOURCE four times (A and B selected.)
 - Check if two well triggered traces are displayed.
 - Remove input signals

MEASURING RESULTS

* SUBJECT Slope selection and Level control range.

TEST EQUIPMENT LF Sine-wave generator

INPUT VOLTAGE Sine-wave signal 2 kHz - 800 mV to input A(B) (EXT)

SETTINGS AND REQUIREMENTS

- Set A(B) to 0,1 mV/div (DC input coupling)
- Press TRIG COUPL for p-p triggering
- Turn LEVEL fully clockwise and fully anti-clockwise
- Check if the signal is well triggered over the complete LEVEL range
- Set the LEVEL control in its mid-position
- Start of signal display must be in the vertical centre
- Press TB TRIG (TRIG mode)
- Press SLOPE
- Check if the sine-wave signal is inverted and is triggered on the negative slope.
- Press SLOPE once again
- Set A(B) to 50 mV/div (16 div. trace height)
- Turn the LEVEL
- Check if the LEVEL range is > +or- 8 div. and if the signal is triggered on the positive slope.
- Set A(B) to 0,1 V/div
- Check if NOT TRIG'D is on, if the LEVEL control is set in its extreme positions
- Remove input signal

MEASURING RESULTS

* SUBJECT Trigger Sensitivity

TEST EQUIPMENT Sine-wave generator (SG503)

INPUT VOLTAGE Sine-wave signal 10 MHz-(50 MHz)-(100 MHz) to input A (B) (EXT)

SETTINGS AND REQUIREMENTS

- Press AC/DC (input coupling of A(B) to DC)
- Press TB TRIG MODE for TRIG mode
- Press TRIG COUPL for DC trigger coupling
- Apply a sine-wave signal of 10 MHz approx. 250 mVpp to input A(B)
- Set A(B) to 0,2 V/div.
- Decrease amplitude of input signal
- Turn LEVEL
- Check if the signal is well-triggered at amplitudes $\geq 0,5$ div.
- Decrease the frequency of the input signal to 50 kHz
- Check if the signal stays well triggered at amplitudes $\geq 0,5$ div.
- Increase the frequency of the input signal up to 50 MHz.
- Decrease amplitude of input signal to approx 1 div.
- Turn LEVEL
- Check if the signal is well-triggered at amplitudes ≥ 1 div.
- Increase the frequency of the input signal up to 100 MHz

- Decrease amplitude to approx 2 div.
- Check if the signal is well-triggered at amplitudes > 2 div.
- Remove input signal

MEASURING RESULTS

*	SUBJECT	Trigger sensitivity TVL-TVF
	TEST EQUIPMENT	TV pattern generator with video output (PM5518)
	INPUT VOLTAGE	Video signal to input A (B)
	SETTINGS	<ul style="list-style-type: none"> - Press TB TRIG mode for TRIG mode - Press AC/DC for DC input coupling - Apply a video signal to input A(B) with an amplitude of 0,7 div. sync. pulse amplitude - Press TRIG COUPL for TVL and TVF
	REQUIREMENTS	- Check for a stable triggering on TVL and TVF at sync. amplitudes of $>0,7$ div.
	MEASURING RESULTS

20.4.5 CURSORS (characteristics section 2.13)

*	SUBJECT	Voltage cursor accuracy
	TEST EQUIPMENT	SQ. wave calibration generator
	SETTINGS	<ul style="list-style-type: none"> - Apply a sq. wave voltage of 1 Vpp to the ch. A input. - Set A to 200 mV/div. - Press DIGITAL MEMORY - Press LOCK. - Select CURSORS of CRT function controls. - Position the 1st cursor in the horizontal mid of top of the waveform. - Position the 2nd cursor in the horizontal mid of bottom of the waveform.
	REQUIREMENT	Check for a voltage cursor read-out at the top of the screen of 1.00 V + or - 30 mV.
	MEASURING RESULTS

*	SUBJECT	Time cursor accuracy
	TEST EQUIPMENT	Time marker generator
	SETTINGS	<ul style="list-style-type: none"> - Apply an 1 ms time marker signal to the ch. A input. - Press DIGITAL MEMORY. - Set TB to 1 MS/DIV. - Press LOCK. - Select CURSORS of CRT function controls. - Position the 1st cursor and the 2nd cursor so that they cover a distance of 8 time marker intervals.
	REQUIREMENT	Check for a time cursor read-out of 8.00 ms, + or - 0,0016 ms.
	MEASURING RESULTS

20.4.6

AUXILIARY INPUTS AND OUTPUTS
(characteristics section 2.16)

*	SUBJECT	Z-MOD Sensitivity
	TEST EQUIPMENT	Square-wave generator
	INPUT VOLTAGE	Square-wave signal, 1 kHz, duty cycle 50%, amplitude 0...5 Vpp to input A and Z-in (rear side)
	SETTINGS AND REQUIREMENTS	<ul style="list-style-type: none"> - Set TB to 0,5 ms/div. - Set the trace of A in mid-position - Select DC for channel A Input coupling - Apply square-wave signal of 2,5 Vpp, 1 kHz to input A and Z-MOD input. (base line 0 V) - Check if only the bottom half of the square wave signal is displayed (500 us blanking and 500 us unblanking) - Decrease the amplitude of the input signal to 1 Vpp. - Set A to 0,5 V/div. - Check if the top half of the square-wave signal is visible with a lower intensity and will be completely unblanked at an input voltage of < 0,8 V
	MEASURING RESULTS
*	SUBJECT	CAL Frequency and output voltage
	TEST EQUIPMENT	-
	INPUT VOLTAGE	CAL output signal to input A
	SETTINGS	<ul style="list-style-type: none"> - Press 0 of channel A - Set the trace in the centre of the screen - Press 0 of channel A - Select DC of A input coupling
	REQUIREMENTS	- Check if a positive going square wave signal is displayed of 1,2 Vpp, frequency 2 kHz
	MEASURING RESULTS

21. DISMANTLING THE INSTRUMENT

21.1 GENERAL INFORMATION

This section provides the dismantling procedures required for the removal of components during repair operations.

All circuit boards removed from the instrument must be adequately protected against damage, and all normal precautions regarding the use of tools must be observed.

During the dismantling a careful note must be made of all disconnected leads so that they can be reconnected to their correct terminals during assembly.

CAUTION: Damage may result if:

- The instrument is switched-on when a circuit board has been removed.
- a circuit board is removed within one minute after switching-off the instrument.

21.2 REMOVING THE TOP AND BOTTOM COVERS

The instrument is protected by two covers: a top cover and a bottom cover. To remove these covers, proceed as follows:

- Slacken the two screws that secure both covers, located at the rear of the instrument.
- Gently push each cover backwards until it can be lifted.
- The covers can be removed by lifting them clear of the instrument.

21.3 ACCESS TO PARTS FOR THE CHECKING AND ADJUSTING PROCEDURES

After removing both covers (section 21.2), the P²CCD unit and the time base unit have to fix vertically in the chassis.

NOTE: To avoid damage of the flatcables, the metal bracket that fixes the P²CCD unit have to be removed from the chassis first. Then you can easily fix the P²CCD unit vertically in the chassis.

Next the digital unit (A10 ... A15) has to be removed out of the instrument. It can be placed beside the instrument using the metal cover as a bottom plate. The four already existing holes in the cover must be used to position the digital unit in this place.

If necessary, the power supply unit can be lifted out of the instrument. To do so, proceed as follows:

- Push both parts at the back of the extension shaft towards each other so that the extension shaft can easily be loosened from the ON/OFF switch on the power supply unit.
- Remove the complete extension shaft.
- Push both lips that secure the power supply unit sideways and gently lift this unit out of the instrument.
- Fix the power supply unit in the available p.c.b. guide fixing.

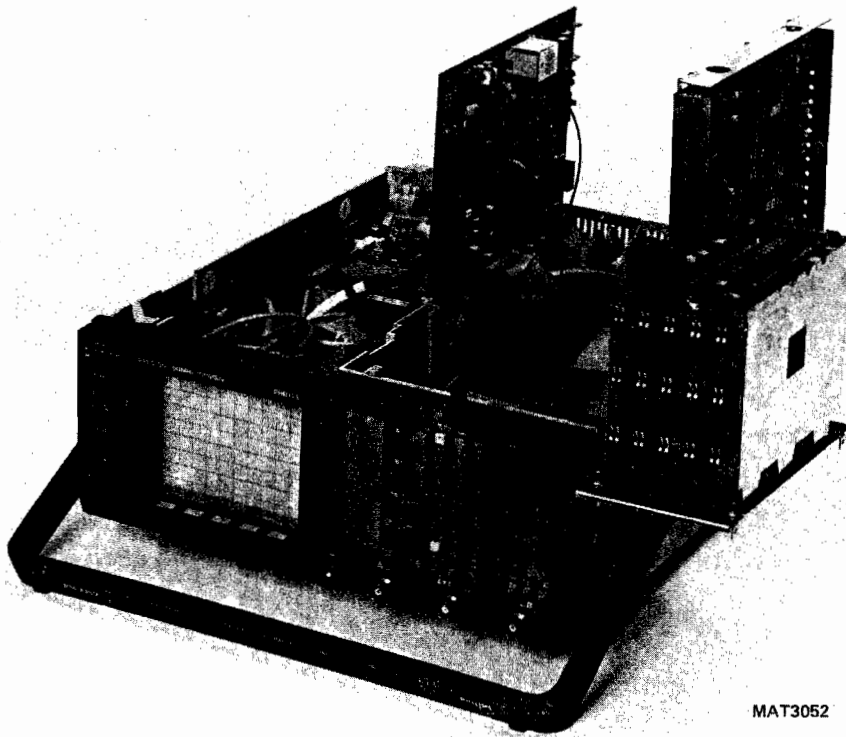


Figure 21.1 Access to all parts for checking and adjusting

NOTE: For checking and adjusting the instrument it is not necessary to remove the bottom cover.

22. CHECKING AND ADJUSTING

22.1 GENERAL INFORMATION

The following information provides the complete checking and adjusting procedure for the instrument. As various control functions are interdependent, a certain order of adjustment is necessary.

The procedure is, therefore, presented in a sequence which is best suited to this order, cross-reference being made to any circuit which may affect a particular adjustment.

Before any check or adjustment, the instrument must attain its normal operating temperature.

- Warming-up time under average conditions is 30 minutes.
- Where possible, instrument performance should be checked before any adjustment is made.
- All limits and tolerances given in this section are calibration guides, and should not be interpreted as instrument specifications unless they are also published in section 2.
- Tolerances given are for the instrument under test and do not include test equipment error.
- The most accurate display adjustments are made with a stable, well-focused low intensity display.
- All controls that are mentioned without item numbers are located on the outside of the instrument.

WARNING: The opening of covers or removal of parts, except those to which access can be gained by hand, is likely to expose live parts, and also accessible terminals may be live. The instrument shall be disconnected from all voltage sources before any adjustment, replacement or maintenance and repair during which the instrument will be opened. If afterwards any adjustment, maintenance or repair of the opened instrument under voltage is inevitable, it shall be carried out only by qualified person who is aware of the hazard involved. Bear in mind that capacitors inside the instrument may still be charged even if the instrument has been separated from all voltage sources.

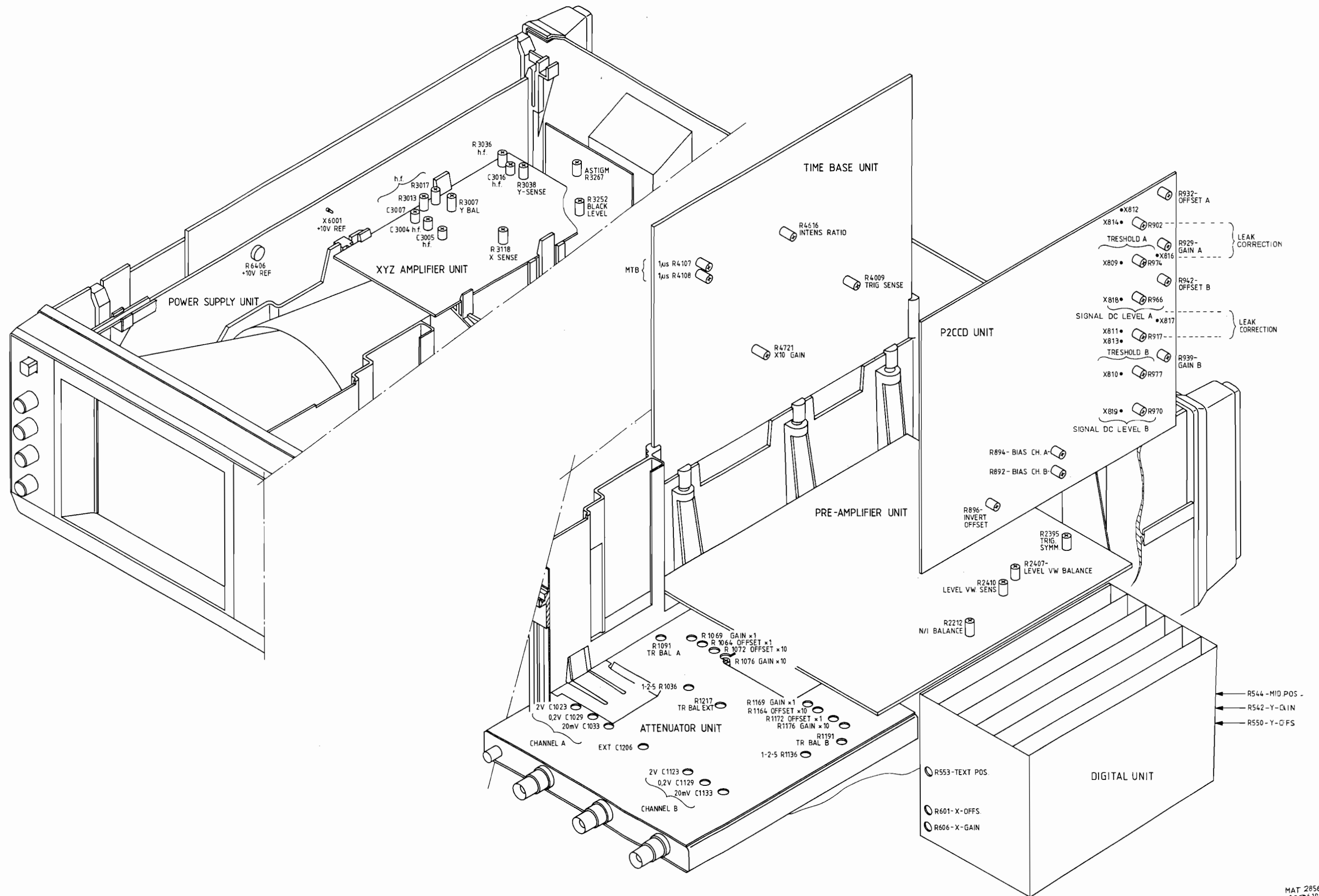


Figure 22.1 Adjusting elements

22.2 RECOMMENDED TEST AND CALIBRATION EQUIPMENT

Type of instrument	Required specification	Example of recommended instrument
Function generator	Freq.: 1 MHz ... 10 MHz Sine-wave/Square-wave Ampl. 0...20 Vpp DC offset 0...+5 V Rise-time <30 ns Duty cycle 50 %	Philips PM5134
Constant amplitude sine-wave generator	Freq.: 100 kHz ... 50 MHz Constant ampl. of 120 mVpp and 3 Vpp	Tektronix SG 503
Square-wave calibration generator	For ampl. calibration: Freq.: 1 kHz Ampl.: 10 mV ... 50 V For rise-time measurements: Freq.: 1 MHz Ampl.: 10 mV ... 500 mV Rise-time: <1 ns	Tektronix PG 506
Time-marker generator	Repetition rate: 0,5 s ... 0,05 /us	Tektronix TG 501
Digital multimeter	Wide voltage, current	Philips PM2524 and resistance ranges. high-voltage probe Required accuracy 0,1% PM9246
Oscilloscope	The bandwidth must be the same or higher than the bandwidth of the instrument under test.	Philips PM3055
Variable mains transformer	Well-insulated output voltage 90...264 Vac	Philips ord.number 2422 529 00005
Moving-iron meter		
Dummy probe 2:1	1 Megohm <u>+0,1 %</u> / 20 pF	
Cables, T-piece, 10:1 attenuator, terminations for the generators	General Radio types for fast rise-time square-wave and high freq. sine-wave. BNC-types for other applications	
Trimming tool		Philips 800NTX (ord. kitnumber 4822 310 50015)

22.3 SURVEY OF ADJUSTING ELEMENTS

Adjustment	Adjusting element(s)	Unit	Signal type, Generator, menu	Requirement
<u>POWER SUPPLY</u> (see section 22.4.2)				
+10 V supply	R6406 X6001	power supply	digital voltm.	10 V (+, - 10 mV)
<u>CRT DISPLAY</u> (see section 22.4.3)				
pre adjustment	R4616	time base	-	mid position
black level	R3252	CRT socket	-	INTENS 10 ⁰ from c.c.w spot just invisible. line parr.
TRACE ROTATION	front	-		graticule
Astigmatism	R3267	CRT socket	function generator 1 kHz/6 div. sine wave	well defined trace
<u>GAIN, LF S.Q. WAVE</u> (see sections 22.4.4 and 22.4.5)				
EXT input	C1206	atten. unit	calibrated sq. wave: 0,5 V/ 1 kHz	dots at beginning + end of line
	R3118	XYZ ampl.	calibrated sq. wave: 0,5 V/ 1 kHz	5 div. horizontal
A input	R1069	atten. unit	calibrated sq. wave: 0,1 mV/ 1 kHz	5 div. vertical at A sens. 20 mV/div.
	C1033	atten. unit	calibrated sq. wave: 0,1 V/ 1 kHz	Straight pulse top at A sens. 20 mV/div.
	R3038	XYZ ampl.	calibrated sq. wave: 0,1 mV/ 1 kHz	5 div. vertical at A sens. 20 mV/div.
	R1076	atten. unit	calibrated sq. wave: 10 mV/ 1 kHz	5 div. vertical at A sens. 2 mV/div.
	C1029	atten. unit	calibrated sq. wave: 1 V/ 1 kHz	Straight pulse top at A sens. 0,2 V/div.
	C1023	atten. unit	calibrated sq. wave: 10 V/ 1 kHz	Straight pulse top at A sens. 2 V/div.

Adjustment	Adjusting element(s)	Unit	Signal type, Generator, menu	Requirement
B input	C1133	atten. unit	calibrated sq. wave: 0,1 V/ 1 kHz	Straight pulse top at B sens. 20 mV/div.
	R1169	atten. unit	calibrated sq. wave: 0,1 V/ 1 kHz	5 div. vertical at B sens. 20 mV/div.
	R1176	atten. unit	calibrated sq. wave: 10 mV/ 1 kHz	5 div. vertical at B sens. 2 mV/div.
	C1129	atten. unit	calibrated sq. wave: 1 V/ 1 kHz	Straight pulse top at A sens. 0,2 V/div.
	C1132	atten. unit	calibrated sq. wave: 10 V/ 1 kHz	Straight pulse top at A sens. 2 V/div.

OFFSET (see section 22.4.6)

1-2-5 bal. A	R1036	atten. unit	serv.menu: 3.0	minimise jump
1-2-5 bal. B	R1136	atten. unit	serv.menu: 3.0	minimise jump
VAR balance A	R1064	atten. unit	serv.menu: 3.1	Turn VAR jump
VAR balance B	R1164	atten. unit	serv.menu: 3.1	Turn VAR jump
1-10 balance A	R1072	atten. unit	serv.menu: 3.2	VAR CAL jump
1-10 balance B	R1172	atten. unit	serv.menu: 3.2	VAR CAL jump
Trig.bal. A	R1091	atten. unit	serv.menu: 3.3	VAR CAL jump
Trig.bal. B	R1191	atten. unit	serv.menu: 3.4	VAR CAL jump
Trig.bal. EXT	R1217	atten. unit	serv.menu: 3.5	VAR CAL jump
Norm.Inv. bal.	R2212	preamplifier	serv.menu: 3.6	VAR CAL jump
Final Y ampl.	R3007	XYZ-ampl.	serv.menu: 3.7	Minimise jump with LEVEL. Centre line with R3007

TRIGGERING (see section 22.4.7)

trigg.symmetry	R2395	preamplifier	sine-wave to A	max. symmetry
trigger gap	R4009	time base	4 V/1 kHz	min. gap
trigg.symmetry	R2395	preamplifier	sine-wave to A	max. symmetry
trigger gap	R4009	time base	0,4 V/1 kHz	min. gap
LEVEL preset	R2410	preamplifier	sine-wave to A 8 V/1 kHz	LEVEL pos. such that does not move when turning R2410

Adjustment	Adjusting element(s)	Unit	Signal type, Generator, menu	Requirement
LEVEL VIEW balance	R2407	preamplifier	sine-wave to A 8 V/1 kHz	min. jump between LEVEL VIEW on/off
LEVEL VIEW sensitivity	R2410	preamplifier	sine-wave to A 8 V/1 kHz	LEVEL 3 div. up or down. Min. jump between LEVEL VIEW on/off
<u>TIME BASE</u> (see section 22.4.8)				
sweep speed: 1 ms/div.	R4108	time base	time markers: 1 ms	max. accuracy between 2nd and 10th graticule line
1 us/div.	R4107	time base	1 us	max. accuracy between 2nd and 10th graticule line
X MAGN and 0,1 ms/div.	R4721	time base	0,1 us	max. accuracy between 2nd and 10th graticule line
<u>HF SQ. WAVE</u> (see section 22.4.9)				
cross talk A,B	R3017	XYZ-ampl.	fast-rise sq. wave: 100 mV/ 10 kHz	minimal cross-talk
pulse response A (B)	R3013	XYZ-ampl.	100 mV/ 1 MHz	A sens: 20 mV/div.
	C3007	XYZ-ampl.	100 mV/ 1 MHz	Optimal pulse response
	R3017	XYZ-ampl.	100 mV/ 1 MHz	
	C3004	XYZ-ampl.	100 mV/ 1 MHz	A sens: 20 mV/div.
	C3005	XYZ-ampl.	100 mV/ 1 MHz	Optimal pulse response
	C3016	XYZ-ampl.	100 mV/ 1 MHz	X MAGN on
	R3036	XYZ-ampl.	100 mV/ 1 MHz	

Adjustment	Adjusting element(s)	Unit	Signal type, Generator, menu	Requirement
<u>P²CCD ADJUST</u> (see section 22.4.10)				DIGITAL MEMORY
Treshold A	R974, X809	P ² CCD unit	digital voltm.	6 V d.c
Treshold B	R977, X810	P ² CCD unit	digital voltm.	6 V d.c
Bias charge A	R894	P ² CCD unit	digital voltm.	43,3 V
Bias charge B	R892	P ² CCD unit	digital voltm.	43,3 V
Signal DC level A	R966, X811 X812	P ² CCD unit	measuring oscilloscope	300 mV d.c.
Signal DC level B	R970, X813 X814	P ² CCD unit	measuring oscilloscope	300 mV d.c.
Leakage corr. A	R902, X816	P ² CCD unit	measuring oscilloscope	line
Leakage corr. B	R917, X817	P ² CCD unit	measuring oscilloscope	line
<u>DISPLAY SECTION</u> (see section 22.4.11)			service menu DISPLAY	DIGITAL MEMORY on
Y-offset	R550	digital unit	step 1	display vertical mid
Y-gain	R542	digital unit	step 2	6 div. vertical
X-offset	R601	digital unit	step 3	display horizontal mid
X-gain	R606	digital unit	step 4	10 div. horizontal
Text position	R553	digital unit	step 5	text in horizontal mid
<u>GAIN OFFSET</u> (see section 22.4.12)				
Offset A	R932	digital unit	-	Position 2,5 div. downwards with DIGITAL MEMORY on
Gain A	R929	digital unit	calibrated sq. wave: 100 mV/ 1 kHz	A sens.: 20 mV/ div. 5 div. deflection
Offset A	R932	digital unit	-	Position vertical mid with DIGITAL MEMORY on
Offset B	R942	digital unit	-	Position 2,5 div. downwards with DIGITAL MEMORY on

Adjustment	Adjusting element(s)	Unit	Signal type, Generator, menu	Requirement
Gain B	R939	digital unit	calibrated sq. wave: 100 mV/1 kHz	B sens.: 20 mV/div. 5 div. deflection
Offset B	R942	digital unit	-	Position vertical mid with DIGITAL MEMORY on
Invert offset	R896	digital unit	-	Position trace in vertical mid with INVERT on.

22.4 CHECKING AND ADJUSTING PROCEDURE

The adjusting elements and measuring points are given in figure 22.1.

NOTE: Use always an insulated adjustment tool.

22.4.1 Preparation

Before starting the checking and adjusting procedure, it is necessary to be aware of the following.

- Unless otherwise indicated, the time base must be triggered on the channel that is selected for vertical display and the trigger path is P-P coupled. The time base must function in the AUTO mode and its sweep speed must be adjusted to give good display of the phenomena of interest. The INTENS and FOCUS control must be adjusted to a well-defined trace display.
- Preliminary setting of the controls:
 - All VAR controls must be set in CAL position
 - All POS and LEVEL controls must be set in mid-position.
 - The HOLD OFF control must be set to MIN position.
- Take care to remove the input voltage after each section.
- All signal values are peak-to-peak values (pk-pk), unless otherwise indicated.

For better access to the adjusting elements on the time base unit and the power supply unit, proceed as indicated in section 21.3.

ATTENTION: Do not readjust potentiometer R2395, situated on the Pre-amplifier unit. However, if this potentiometer is inadvertently turned, proceed as follows:

- Set R2395 in its mid-position.
- Readjust R4009 according to section 22.4.7.

22.4.2 Power supply adjustment

- Connect the instrument to the mains voltage and switch on the oscilloscope.
- Connect a digital multimeter to connection point X6001 (+10V REF) on the power supply unit and the instrument's ground.
- Adjust R6406 so that the supply voltage is exactly +10 V (tolerance: +or- 0,01 V).

22.4.3 CRT display adjustment

Black level:

- Press X DEFL key.
- Set the INTENS control to 10⁰ from its left hand stop.
- Set R4616 in its mid position.
- Adjust R3252 so that the spot is just not visible.

Trace rotation:

- Press X DEFL key again for deflection via MTB.
- Adjust the front-panel TRACE ROTATION control so that the trace runs exactly in parallel with the horizontal graticule lines.

Astigmatism:

- Apply a 120 mV/1 kHz sine-wave signal to input A.
- Press AUTO SET key.
- Set the INTENS control for normal brightness.
- Adjust R3267 (and the FOCUS control) so that the trace is sharp and well-defined over the whole screen area.

22.4.4 Gain and LF-sq.wave response EXT and A input

Adjustments on attenuator unit, unless otherwise indicated.

Input EXT:

- Press MENU and then AUTO SET.
- Press X DEFL.
- Select TRIG SOURCE "EXT".
- Select TRIG COUPL "DC".
- EXT input signal: calibrated sq.wave 0,5 V/1 kHz.
- Adjust C1206 for equal dots at beginning and end of horizontal line.
- Adjust R3118 on XYZ-amplifier for 5 div. horizontal deflection (+ or -0,1 div.).

Input A:

- Select TRIG SOURCE "B".
- A input signal: calibrated sq.wave 100 mV/1 kHz.
- Channel A sensitivity: 20 mV/div.
- Adjust R1069 for 5 div. vertical deflection (+ or - 0,1 div.).
- Remove the input signal.

22.4.5 Gain and LF-sq.wave response channel A(B)

Adjustments are located on attenuator unit, except R3038 that is located on XYZ-amplifier.

- Do the adjustments for channel A first. Then those mentioned between brackets for channel B.
- Press MENU and then AUTO SET.
- Select TRIG SOURCE "A(B)".
- Adjust vertical gain to 5 div. (+ or - 0,1 div.) and pulse top as straight as possible (max. distortion + or - 0,075 div.).
Use a calibrated sq.wave signal.

Input signal channel A(B)	Input sensitivity channel A(B)	Adjusting element	
		sq.wave resp.	gain
0,1 V	20 mV/div.	C1033 (C1133)	R3038 (R1169)
10 mV	2 mV/div.	-	R1076 (R1176)
1 V	0,2 V/div.	C1029 (C1129)	-
10 V	2 V/div.	C1023 (C1123)	-

22.4.6 Offset channel A(B)

- Press MENU and AUTO SET together in order to reach the service menu.
- Press CRT-softkey OFFS-A.
- The successive steps in the following adjustment procedure must be selected with the channel A UP-DOWN control for the input sensitivities.
- The adjustments are located on the attenuator unit; unless otherwise noted in last column of table.

Adjustment step	Adjustment point	Max instab.
3.0 1-2-5 balance A(B)	R1036 (R1136)	0,1 div.
3.1 VAR-balance A(B)	R1064 (R1164)	0,2 div. Turn VAR A(B)
3.2 1-10 balance A(B)	R1072 (R1172)	0,2 div. VAR A(B) in CAL
3.3 Trig. balance A	R1091	0,3 div.
3.4 Trig. balance B	R1191	0,3 div.
3.5 Trig. balance EXT	R1217	0,3 div.
3.6 Norm/Inv. bal. B	R2212	0,1 div. on pre amplifier
3.7 Final Y bal.	R3007	0,2 div. on XYZ-ampl. Minimise jump with TRIG LEVEL. Centre line with R3007.

- Press AUTO SET to leave the service menu.

22.4.7 Triggering

Adjustments on preamplifier unless otherwise noted.

- Press MENU and then AUTO SET.
- Channel A input signal: 4 V/1 kHz sine-wave.
- TRIGGER LEVEL: mid position.
- Trigger slope pushbutton must be continuously switched.
- Adjust R2395 for gap symmetrical around vertical mid.

- Adjust R4009 (time base) for gap as small as possible.
- Channel A input signal: 0,4 V/1 kHz sine-wave.
- Repeat the adjustments of R2395 and R4009.
- Stop operating the trigger slope switch.

- Channel A input signal: 8 V/1 kHz sine-wave.
- Select TRIGGER COUPL "DC".
- Press LEVEL VIEW.
- Put TRIG LEV in such a position that line does not move when turning R2410 between its utmost positions. Keep TRIG LEVEL in this position.

- Switch LEVEL VIEW off.
- Time base sweep speed: 50 ns/div.
- INTENS control: fully clockwise.
- Adjust R2407 for minimal trace jump (+ or - 0,4 div. max) when switching LEVEL VIEW on and off.

- Switch LEVEL VIEW on.
- Shift the line with TRIG LEVEL 3 div. upwards or downwards from its present situation (within graticule).
- Adjust R2410 for minimal trace jump (+ or - 0,4 div. max) when switching LEVEL VIEW on and off.
- Remove the input signal.

22.4.8 Time base sweep speeds

Adjustments on time base unit.

- Press MENU and then AUTO SET.
- Select TRIG COUPL "DC".
- Channel A input signal: time marker pulse 1 ms.
- Adjust Y POS A, TRIG LEVEL and channel A input sensitivity for a well-readable display.
- Adjust R4108 so that 2nd and 10th marker pulse coincide with the corresponding graticule lines (max. deviation 0,16 div.). Use X POS for a correct horizontal position.

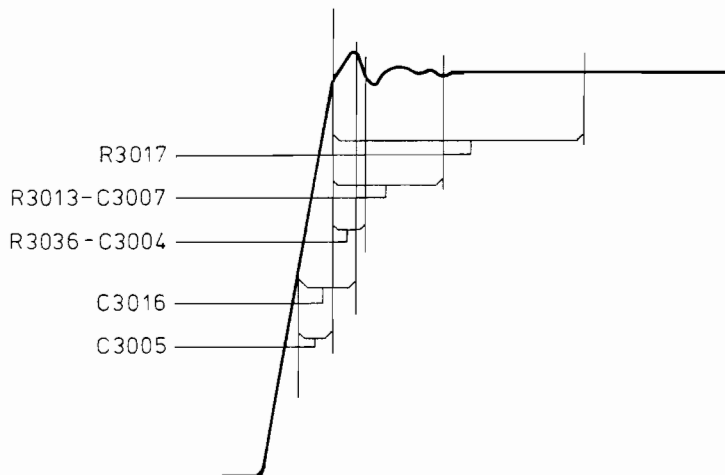
- Channel A input signal: time marker pulse 1 us.
- Time base sweep speed: 1 us/div.
- Adjust R4107 so that 2nd and 10th marker pulse coincide with corresponding graticule lines. Max. deviation 0,16 div.

- Channel A input signal: time marker pulse 0,1 ms.
- Press X MAGN.
- Time base sweep speed: 0,1 ms/div.
- Adjust R4721 so that 2nd and 10th marker pulse coincide with corresponding graticule lines. Use X POS for a correct horizontal position; the control must stay approximately in its mid position. Max. deviation 0,24 div.
- Turn X POS fully clockwise and fully counter clockwise and check that the marker pulse deviation does not exceed 0,24 div.
- Remove the input signal.

22.4.9 HF sq.wave response

Adjustments on XYZ-amplifier.

- Press MENU and then AUTO SET.
- Channel A input signal: fast rise time sq.wave 10 kHz/100 mV/rise time ≤ 1 ns via external 10:1 attenuator and 50 ohm termination resistor.
- Select channel A and B for vertical display.
- Channel A and B input sensitivity: 10 mV/div.
- Time base sweep speed: 50 us/div.
- Adjust R3017 for minimal cross-talk from channel A into B (max. interference on B 0,05 div.).
- Select channel A for vertical display and TRIGGER SOURCE.
- Channel A input signal: increase frequency to 1 MHz. Adjust the generator's output voltage for 5 div. vertical deflection.
- Channel A input sensitivity: 20 mV/div.
- Adjust R3013 and C3007 for a pulse top as flat as possible. Also small readjustment of R3017 may be necessary: however bear in mind that R3017 also influences the crosstalk.
- Press X MAGN.
- Adjust C3004, C4005, C3016 and R3036 for a pulse top as flat as possible.



MAT2233
860210

Figure 22.2 Square-wave response

- Check that the pulse via channel A has a rise-time of ≤ 7 ns and that pulse aberrations are $\leq 0,2$ div. peak-to-peak. Tilt must not exceed + or - 0,1 div.
- Select channel B for vertical display and TRIGGER SOURCE.
- Channel B input sensitivity: 20 mV/div.
- Apply the generator signal to channel B.
- Check the pulse response of channel B. Because B has no separate adjustments, it is necessary to average between A and B if the pulse response of B is out of tolerance.
- Remove the input signal.

22.4.10 P²CCD-adjustment (DIGITAL mode)

Adjustments located on P²CCD-unit.

Treshold A (B)

- Switch DIGITAL MEMORY on.
- Select channel A and B for vertical display.
- Y POS A and B: must stay in mid position during the adjustments in this chapter.
- Adjust the d.c. voltage between measuring point X809 (X810) and earth to 6 V (+ or - 100 mV) with R974 (R977).

Bias charge A (B)

- Adjust the d.c. voltage between connector point 2 of A17 of ch. A (ch. B) and earth to 43,3 V (+ or - 0,1 V) with R894 (R892).

Linearity A (B)

- Press MENU and then AUTO SET.
- Select channel A and B for vertical display.
- Switch DIGITAL MEMORY on.
- Channel A and B sensitivity: 0,1 V/div.
- Connect a measuring oscilloscope with a.c. coupled input to measuring point X811 (X813) and X812 (X814).
- Channel A (B) input coupling: GND.
- Adjust R966 (R970) so that the the voltage V between the measuring point X811-X812 (X813-X814) and earth is 300 mV (+ or - 30 mV). Refer to figure 22.3.
- Channel A (B) input signal: triangular 1 V/1 kHz.
- Check with the measuring oscilloscope that the triangular voltage is visible in the bottom level of the measured signal.
- Disconnect the input signal.

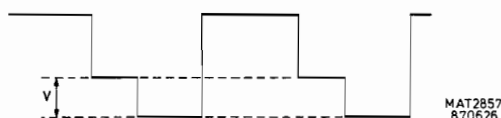


Figure 22.3 Linearity adjustments

Leakage correction

- Channel A (B) input signal: square wave 800 mV/1 kHz.
- Connect a measuring oscilloscope with a.c. coupled input to measuring point X816 (X817) and earth.
- Adjust R902 (R917) so that the square wave signal has become a line.

22.4.11 Display section adjustments

All adjustments are located on the front unit, unless otherwise noted.

DAC and text adjustments

- Press MENU and then AUTO SET.
- Adjust X POS so that trace starts at first vertical graticule line.
- Press MENU and AUTO SET together.
- Press CRT softkey DISPLAY.
- The CRT now shows the picture as given in figure 24.4.
- Adjust INTENS and FOCUS for a good display.

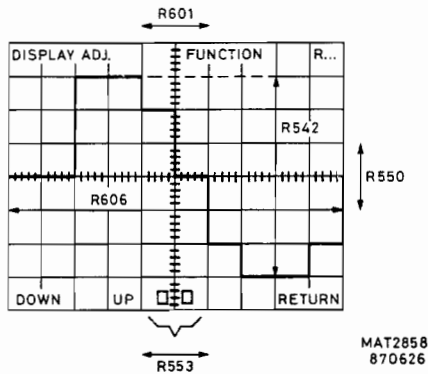


Figure 22.4 DAC and text adjustments

- Do the adjustments steps describe in the table:

Step	Adjustment	Requirement
1	R550, Y-offset	display in vertical mid (+ or - 0,07 div.)
2	R542, Y-gain	6 div. pk-to-pk, + or - 0,07 div.
3	R601, X-offset	display horizontal mid (+ or - 0,2 div.)
4	R606, X-gain	10 div. pk-to-pk, + or - 0,12 div.
5	R553, test pos.	text in horizontal mid, + or - 0,2 div.

- Press AUTO SET to leave the service menu.

22.4.12 Gain and offset channel A (B)

All adjustments located on P²CCD-unit.

For channel A:

- Press MENU and then AUTO SET.
- Channel A sensitivity: 20 mV/div.
- Channel A coupling: GND.
- Adjust Y POS A 2,5 div. downwards from vertical mid.
- Switch DIGITAL MEMORY on.
- Position the trace 2,5 div. downwards from vertical mid.

- Channel A coupling: switch GND off.
- Channel A input signal: calibrated sq.wave 100 mV/div.
- Adjust R929 to 5 div. vertical deflection (+ or - 0,1 div.).
- Channel A coupling: GND.
- Switch DIGITAL MEMORY off.
- Position the trace in vertical mid.
- Switch DIGITAL MEMORY on.
- Position the trace in vertical mid of screen with R932 (+ or - 0,2 div.).

For channel B:

- Press MENU and then AUTO SET.
- Vertical display and TRIG SOURCE: B.
- Channel B sensitivity: 20 mV/div.
- Channel B coupling: GND.
- Adjust Y POS B 2,5 div. downwards from vertical mid.
- Switch DIGITAL MEMORY on.
- Position the trace 2,5 div. downwards from vertical mid with R942.

- Channel B coupling: switch GND off.
- Channel B input signal: calibrated sq.wave 100 mV/div.
- Adjust R939 to 5 div. vertical deflection (+ or - 0,1 div.).
- Channel B coupling: GND.
- Switch DIGITAL MEMORY off.
- Position the trace in vertical mid.
- Switch DIGITAL MEMORY on.
- Position the trace in vertical mid of screen with R942 (+ or - 0,2 div.).

- Switch the INVERT mode on.
- Position the trace in vertical mid of screen with R896.

23. CORRECTIVE MAINTENANCE

23.1 REPLACEMENTS

WARNING: The EHT cable is directly connected to the CRT.
When the EHT cable to the post-acceleration anode is disconnected, the cable must be discharged by shorting the terminal to the instrument's earth.

23.1.1 Standard parts

Electrical and mechanical replacement parts can be obtained through your local Philips organisation or representative. However, many of the standard electronic components can be obtained from other local suppliers. Before purchasing or ordering replacement parts, check the parts list for value, tolerance, rating and description.

NOTE: Physical size and shape of a component may affect the instrument's performance, particularly at high frequencies. Always use direct-replacement components, unless it is known that a substitute will not degrade the instrument's performance.

23.1.2 Special parts

In addition to the standard electronic components, some special components are used:

- Components, manufactured or selected by Philips to meet specific performance requirements.
- Components which are important for the safety of the instrument.

ATTENTION: Both type of components may only be replaced by components obtained through your local Philips organisation or representative.

23.1.3 Transistors and Integrated Circuits

- Return transistors and IC's to their original positions, if removed during routine maintenance.
- Do not renew or switch semi-conductor devices unnecessarily, as it may affect the calibration of the instrument.
- Any replacement component should be of the original type or a direct replacement. Bend the leads to fit the socket or pcb-holes and cut the leads to the same length as on the component being renewed.
- When a device has been renewed, check the operation of the part of the instrument that may be affected.
- When re-installing power-supply transistors, use silicon grease to increase the heat-transfer capabilities.

WARNING: Handle silicon grease with care. Avoid contact with the eyes. Wash hands thoroughly after use.

23.1.4 Static-sensitive components

This instrument contains electrical components that are susceptible to damage from static discharge. Servicing static-sensitive assemblies or components should be performed only at a static-free work station by qualified service personnel.

23.1.5 Handling MOS devices

Though all our MOS integrated circuits incorporate protection against electrostatic discharges, they can nevertheless be damaged by accidental over-voltages. In storing and handling them, the following precautions are recommended.

CAUTION: Testing or handling and mounting calls for special attention regarding personal safety. Personnel handling MOS devices should normally be connected to ground via a resistor.

23.1.5.1 Storage and transport

Store and transport the circuits in their original packing. Alternatively, use may be made of a conductive material or a special IC carrier that either short-circuits all leads or insulates them from external contact.

23.1.5.2 Testing or handling

Work on a conductive surface (e.g. metal table top) when testing the circuits or transferring them from one carrier to another. Electrically connect the person doing the testing or handling to the conductive surface, for example by a metal bracelet and a conductive cord to a chain. Connect all testing and handling equipment to the same surface. Signals should not be applied to the same surface. Signals should not be applied to the inputs while the device power supply is off. All unused input leads should be connected either to the supply voltage or to ground.

23.1.5.3 Mounting

Mount MOS integrated circuits on printed circuit boards after all other components have been mounted. Take care that the circuits themselves, metal parts of the board, mounting tools, and the person doing the mounting are kept at the same electrical (ground) potential. If it is impossible to ground the printed-circuit board, the person mounting the circuits should touch the board before bringing the MOS circuits into contact with it.

23.1.5.4 Soldering

Soldering iron tips, including those of low voltage irons, or soldering baths should also be kept at the same potential as the MOS circuits and the board.

23.1.5.5 Static charges

Dress personnel in clothing of non-electrostatic material (no wool, silk or synthetic fibres). After the MOS circuits have been mounted, the proper handling precautions should still be observed. Until the sub-assemblies are inserted into the complete system in which the proper voltages are supplied, the board is not more than an extension of the leads of the devices mounted on the board. To prevent static charges from being transmitted through the board wiring to the device it is recommended that conductive clips or conductive tape is put on the circuit board terminals

23.1.5.6 Transient voltages

To prevent permanent damage due to transfer voltages, do not insert or remove MOS devices, or printed-circuit boards with MOS devices, from test sockets or systems with power on.

23.1.5.7 Voltage surges

Beware of voltage surges due to switching electrical equipment ON or OFF, relays and d.c. lines.

23.1.6 Soldering and desoldering of surface mounted devices

23.1.6.1 Introduction

This description gives you a method for replacing surface mounted devices (SMD's) and incorporates subjects such as:

- required tools and materials.
- how to arrange the S.M.D.-workshop. (see figure 23.1).
- general hints for S.M.D.-handling.
- interchanging S.M.D.'s.

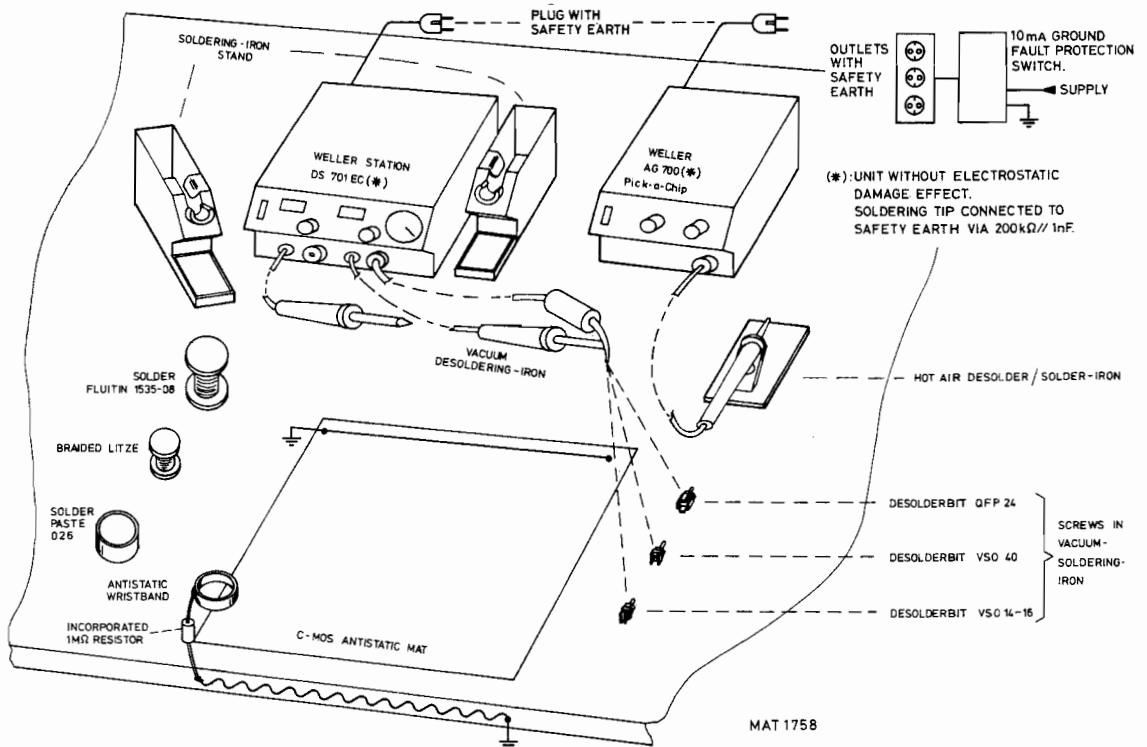


Figure 23.1 Arrangement of working area for S.M.D. exchange and MOS device

23.1.6.2 Required tools and materials

The following tools are necessary:

- A hot-air soldering/desoldering station for components with two or three leads: Weller AG 700 pick-a-chip.
- A vacuum, temperature controlled, soldering/desoldering station for components with four or more connections: Weller DS 701 EC.
- Desoldering accessories that can be attached to the Weller DS 701 EC-equipment: for dual-in-line S.M.D.'s VS0 40 (with 40 connections such as used on the LCD-unit) the type with Weller ordering code 587 13 703.
- A working area that has been secured against electro static discharge (E.S.D.).
- A pair of tweezers.

NOTE: The Weller equipment can be ordered via your local Weller-dealer.

The following material is necessary:

- "Fluittin" solder diameter of 0,8 mm, 15/35, Sn Pb 60.
- Solder paste 026.
- Components. Since not all the components are marked, they must be kept in their original packing in order to avoid interchanging them.
- Desoldering braided wire.

23.1.6.3 General hints for s.m.d.-mounting

- Protection against E.S.D.: since the working area must be suitable for repair of MOS-devices, some precautions must be taken (see figure 23.1). All repairs must be done earthed which means that the repair surface, the soldering iron and the technician must be connected to the earth potential. This is achieved by using a C-MOS antistatic mat that must be connected to earth. The service-technician is connected to earth by wearing an antistatic wristband.
- Components: desoldered components cannot be used again since desoldering is done at a temperature of 350 degrees Celcius while they can only withstand 240 degrees Celcius for max. 10 sec. Keep the new components as long as possible in their original packing in order to avoid damage and mixing up new and old S.M.D.'s.
- For an optimal supply of heat a working area must be used that does not lead away the heat: the antistatic mat in figure 23.1. meets this requirement.

23.1.6.4 Interchanging the s.m.d.'s

Use the equipment Weller DS 701 EC and attach the suitable desoldering piece for VS0 40. Then proceed as follows:

- Adjust the desoldering temperature to 350 degrees Celcius and place the desoldering piece on the IC that has to be removed. (Take care that all connections of the IC are equally heated up).
- Switch the vacuum on and lift the component from the p.c.b.
- Clean the p.c.b. tracks, on which the new component has to be soldered, with braided wire or with the use of the vacuum desoldering equipment DS 701 EC.
- Put solder paste on the connections of the new component and position it on the p.c.b.
- Position the component by soldering first the outside connections in a crosswise manner. Soldering temperature must be 240 degrees Celcius. Keep the soldering time as short as possible.

- Solder now the other connections.
- If necessary you must remove superfluous rests of solder with the use of braided wire.

23.2 REMOVING THE UNITS AND MECHANICAL PARTS

NOTE: For installation, reverse the sequence.

23.2.1 Attenuator unit (A1)

- First remove the digital unit (see section 23.2.8).
- Push gently both clamping lips that secure the metal locking plate for the attenuator unit and remove the locking plate.
- Push the attenuator unit backwards for about 1 cm.
- Remove the front unit (see section 23.2.7).
- Remove the control knobs of the CRT control unit.
- Pull gently both clamping lips that secure the front profile gently backwards and loosen the front profile.

ATTENTION: To avoid damage, ensure that the BNCs of the attenuator unit are behind the front profile before loosening the front profile.

Now the attenuator unit can easily be pulled out of the instrument after removing the connector with flat cable and the ground connector.

Dismantling the Attenuator unit:

- For access to the components of the unit, remove both upper and bottom covers.
- When removing the BNCs first unsolder the wire to the pcb and then unscrew the BNC-nut with a spanner of max. 5 mm thickness.

23.2.2 Pre-amplifier unit (A2) and Adaptation unit (A16)

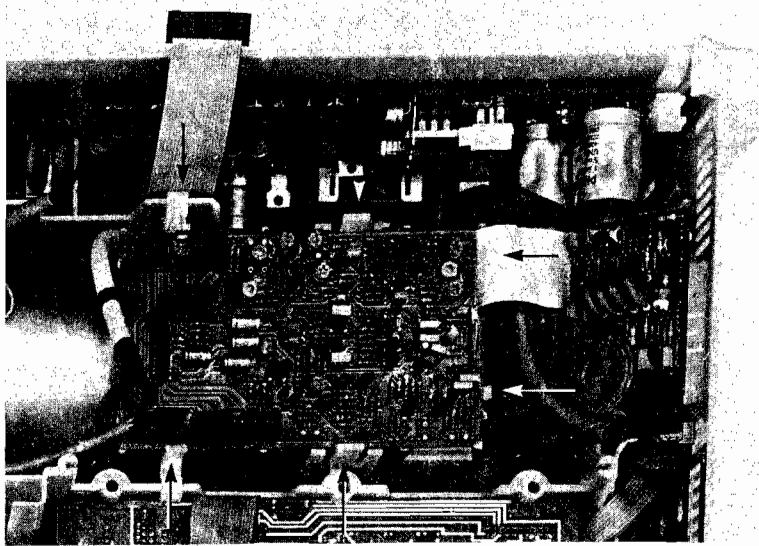
- First remove the P²CCD unit (see section 23.2.9).
- Then remove the time-base unit (see section 23.2.4).
- Unlock the two p.c.b. supports
- The complete p.c.b. can be removed from the instrument after having removed all flat cables.

23.2.3 XYZ-amplifier unit (A3)

The XYZ amplifier unit incorporates two separate p.c.b.'s connected via a flat cable. One p.c.b. includes among other things the CRT socket and must be loosened first. For this, the CRT socket must be gently removed from the CRT.

Now the part situated above the CRT can be removed as follows:

- Remove all flat cables and the delay line cable plug.
- Pull all six clamping lips that secure the XYZ-amplifier unit p.c.b. outwards and take out the complete unit.



MAT 2234

Figure 23.2 Six clamping lips for XYZ-amplifier unit

23.2.4 Time-base unit (A4)

- Remove the P²CCD unit (see section 23.2.9).
- Unlock the p.c.b. support with a special tool that fits the diameter of the p.c.b. support (see section 23.6.2).
- The complete p.c.b. can be taken out of the instrument after having removed all flat cables.

23.2.5 CRT control unit (A5)

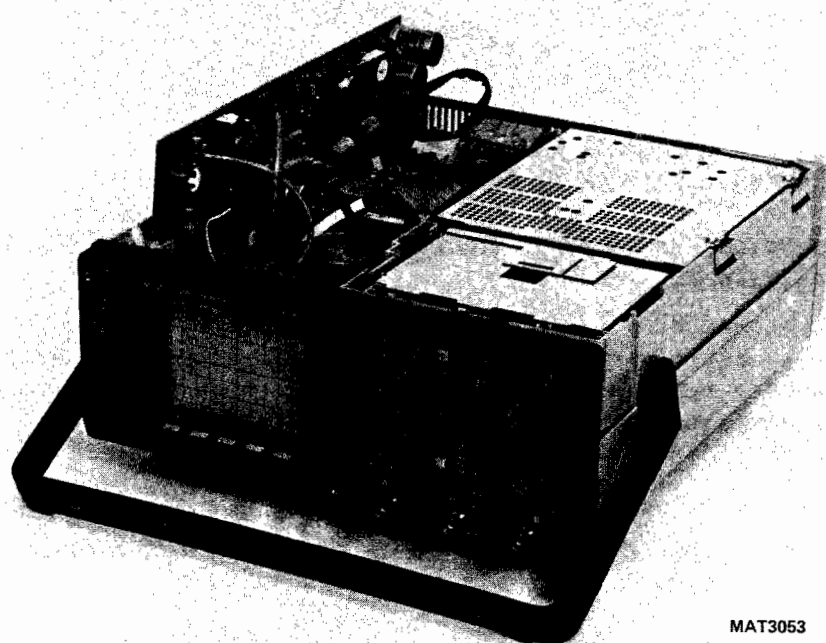
- Remove the front unit (see section 23.2.7)
- Loosen the front profile (see section 23.2.1)
- Now the CRT control unit can be pulled out of the front profile after having removed the flat-cable and the CAL connector.

23.2.6 Power supply unit (A6)

WARNING: Inside the power supply pcb there are many parts that carry dangerous high voltages. Some of these voltages remain some time after disconnecting the instrument from the mains. Therefore, it is recommended to wait at least five minutes after having disconnected the instrument from the mains, before removing the p.c.b. If working on the power supply unit under live condition cannot be avoided, it must be done by a qualified technician who is aware of the dangers involved.

- Remove the extension shaft from the ON/OFF switch by pushing both ends together.
- Push both clamping lips that secure the power supply unit.
- Lift the power supply unit outside the instrument.
- Place the p.b.c. in the unit slider.

- NOTES: - After the mentioned actions, the power supply unit can be measured under working conditions, provided that all cables are still connected to the unit.
- The flat cable to the CRT control unit can easily be removed now when removing this unit.
- Remove the two flat cables, the power supply cable, the two- and three-pole cable connectors and the EHT-connector from the CRT.
- WARNING: The EHT cable is directly connected to the CRT. When the EHT cable to the post-acceleration anode is disconnected, the cable must be discharged by shorting the terminal to the instrument's earth.
- The power supply can now be taken out of the instrument.



MAT3053

Figure 23.3 Power supply unit outside the instrument

23.2.7 Front unit (A7) and LCD unit (A8)

- Unscrew the two screws, located at the rear of the front unit.
- Now the complete unit assembly can be slid out of the front profile of the instrument.

NOTE: After the above actions, the front unit can be measured under working conditions, provided that the flat cable is still connected to the unit.

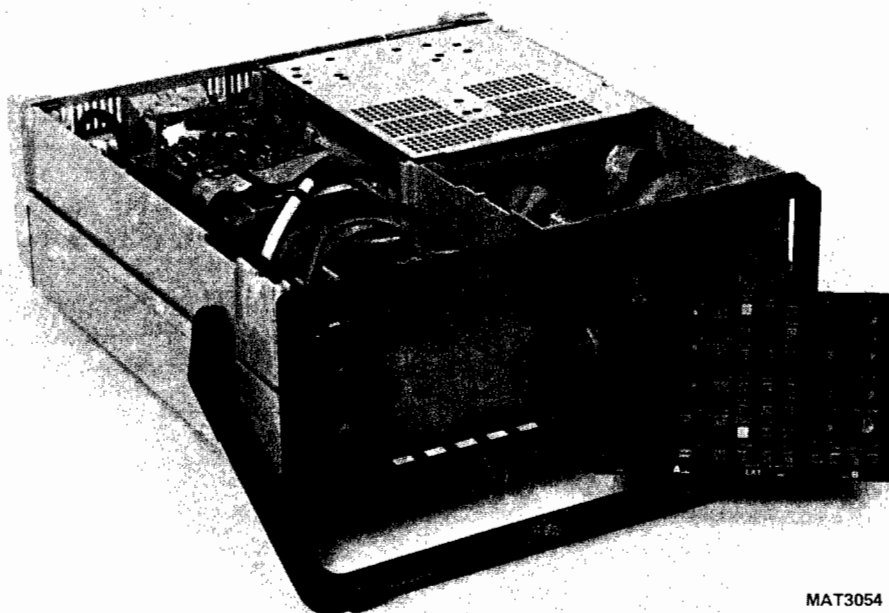


Figure 23.4 Measuring the front unit working condition

For accessibility to the component side of the front unit and LCD unit, proceed as follows:

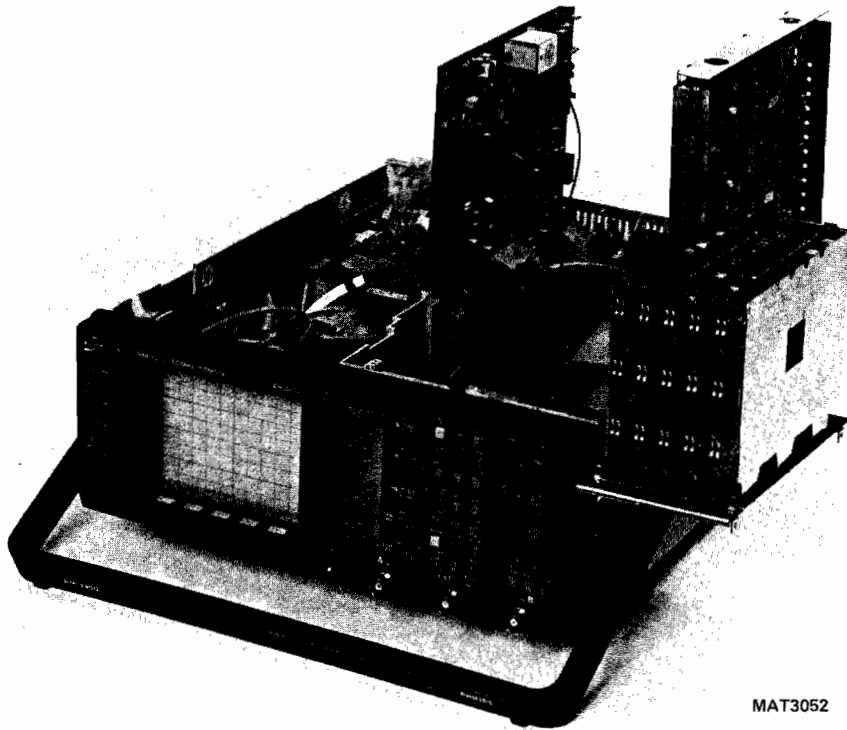
- Unplug the connector with flat cable.
- Remove all control knobs; the knobs can be easily pulled off the potentiometer spindles.
- Pull all clamping lips that secure the front unit p.c.b. gently outwards and loosen the text plate.

NOTE: The LCD unit is connected to the front unit by means of two 3-pin connectors and can be easily pulled off. The LCD display lamp is accessible after pulling off the LCD unit.

23.2.8 Digital unit (A10 ... A15)

- Lift the complete digital unit outside the instrument.
- Remove the two flat cables that are connected at the top of the unit.
- Remove the metal cover.

NOTE: After the above actions, all separate units can be measured under working conditions, provided that all other flat cables are still connected. For this the cover must be placed on the side of the chassis. Then the four stand-ups on unit A10 must be placed in the four already existing holes on the cover.



MAT3052

Figure 23.5 Measuring the digital unit in working condition

- Now each of the four (five when the IEEE option is also present) p.c.b.'s can be lifted out of the digital unit.

23.2.9 P²CCD unit (A18) and mini CCD unit (A17)

- Unscrew the two screws that fix the metal cover to the chassis and take-off the cover.
- The complete p.c.b. with metal under cover can be taken out of the instrument after removing all 50 Ohm cables, all flat cables and the metal bracket on the chassis.
- Now the p.c.b. can be removed from the metal under-cover by unscrewing the four screws.
- The mini CCD units can easily be taken out of their sockets.

23.2.10 Removing the delay-line cable

The delay-line cable is a 54 cm cable that is connected to the amplifier unit and to the XYZ amplifier unit.

To remove the delay-line cable, proceed as follows:

- For access to the delay line cable, remove the time-base unit (see section 23.2.4) and the pre-amplifier unit (see section 23.2.2).
- Unlock the plastic clamps that fix the cable to the instrument's chassis and to the units.
- Remove the plug that connects the delay-line cable to the pre-amplifier unit.
- Unscrew the plastic clamp that fixes the cable to the XYZ-amplifier unit.
- Remove the plug that connects the delay-line cable to the XYZ-amplifier unit.

23.2.11 Replacement of CRT

IMPORTANT: It is strongly recommended to study of this chapter and the associated illustration (figure 23.6) before starting replacement.

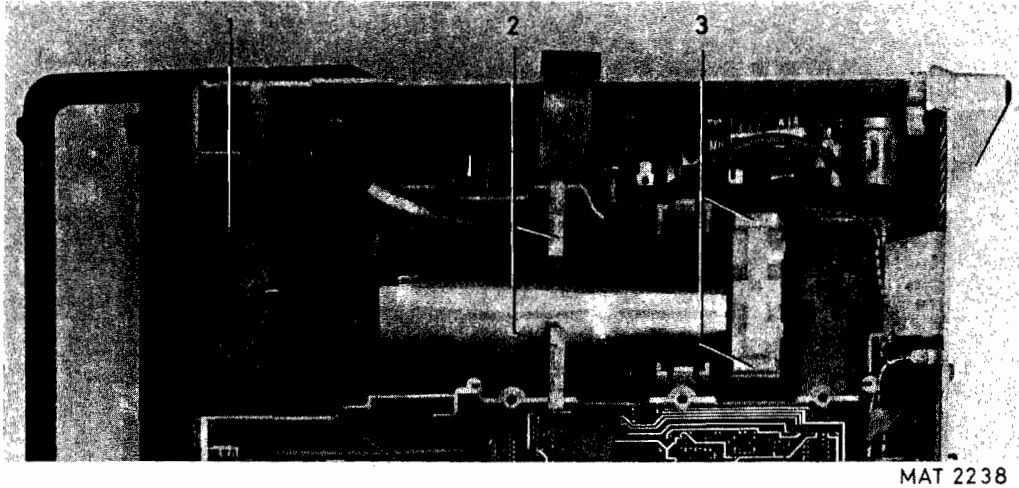


Figure 23.6 Removing the CRT

- Remove the XYZ-amplifier unit, see section 23.2.3.
- Remove the graticule lamp holder (1).
- Remove the bezel with the screen filter.
- Remove the two plastic pcb supports (2).
- Unlock the EHT-cable.

WARNING: Handle the CRT carefully. Rough handling or scratching can cause the CRT to implode.

- Push the two clamping lips that secure the CRT support (3) and gently lift the CRT, incl. metal shielding out of the instrument.

NOTE: Before re-assembling a new CRT, first remove its protective cover and place the CRT front rubber around the CRT-front.

23.3 SOLDERING TECHNIQUES

Working method:

- Carefully unsolder one after the other the soldering leads of the semi-conductor.
- Remove all superfluous soldering material. Use a suction iron of suction litze wire.
- Check that the leads of the replacement part are clean and pre-tinned on the soldering place.
- Locate the replacement semi-conductor exactly on its place, and solder each lead to the relevant printed conductor on the circuit board.

NOTE: Bear in mind that the maximum permissible soldering time is 10 seconds during which the temperature of the leads must not exceed 250°C. The use of solder with a low melting point is therefore recommended.

Take care not to damage the plastic encapsulation of the semi-conductor (softening point of the plastic is 150°C).

ATTENTION: When you are soldering inside the instrument, it is essential to use a low-voltage soldering iron, the tip of which must be earthed to the mass of the oscilloscope.

Suitable soldering irons are:

- ORYX micro-miniature soldering instrument, type 6 A, voltage 6 V, in combination with PLATO pin-point tip type 0-569.
- ERSA miniature soldering iron, type minor 040 B, voltage 6 V.
- Low Voltage Mini Soldering Iron, type 800/12 W-6 V, power 12 W, voltage 6 V, order no. 4822 395 10004, in combination with lmm pin-point tip, order no. 4822 395 10012.

Ordinary 60/40 solder with core and 35 to 40 W pencil type soldering iron can be used for the majority of the soldering. If a higher wattage-rating soldering iron is used on the etched circuit boards, excessive heat can cause the etched circuit wiring to separate from the board base material.

23.4 INSTRUMENT REPACKING

If the instrument is to be shipped to a Service Centre for service or repair, attach a tag showing the full address and the name of the individual at the users firm that can be contacted. The Service Centre needs the complete instrument, its serial number and a fault description. If the original packing is not available, repack the instrument in such a way that no damage occurs during transport.

23.5 TROUBLE SHOOTING

23.5.1 Introduction

The following information is provided to facilitate trouble shooting. Information contained in other sections of the manual should also be used to locate the defect. An understanding of the circuit is helpful in locating troubles, particularly where integrated circuits are used. Refer to the circuit description for this information.

23.5.2 Trouble-shooting techniques

If a fault appears, the following test sequence can be used to find the defective part:

- Check if the settings of the controls of the oscilloscope are correct. Consult the Operating Instructions.
- Check the equipment to which the oscilloscope is connected and the interconnection cables.
- Check if the oscilloscope is well-calibrated. If not, refer to section 22. "Checking and Adjusting".
- Visually check the part of the oscilloscope in which the fault is suspected. In this way, it is possible to find faults such as bad soldering connections, bad interconnection plugs and wires, damaged components or transistors and IC's that are not correctly plugged into their sockets.
- Location of the circuit part in which the fault is suspected: the symptom often indicates this part of the circuit. If the power supply supply is defective the symptom will appear in several circuit parts.

After having carried out the previous steps, individual components in the suspected circuit parts must be examined:

- Transistors and diodes.
Check the voltage between base and emitter (0,7 V approx. in conductive state) and the voltage between collector and emitter (0,2 V approx. in saturation) with a voltmeter or an oscilloscope. When removed from the p.c.b. it is possible to test the transistor with an ohmmeter since the base/collector junctions can be regarded as diodes. Like a normal diode, the resistance is very high in one direction and low in the other direction. When measuring take care that the current from the ohmmeter does not damage the component under test. Replace the suspected component by a new one if you are sure that the circuit is not in such condition that the new component will be damaged.
- Integrated circuits.
In circuit, testing can be done with an oscilloscope or voltmeter. A good knowledge of the circuit part under test is essential. Therefore, first read the circuit descriptions in sections 3...19.
- Capacitors.
Leakage can be traced with an ohmmeter adjusted to its highest resistance range. When testing take care of polarity and maximum allowed voltage. An open capacitor can be checked if the response for AC signals is observed. Also a capacitance meter can be used: compare the measured value with the value and tolerance indicated in the parts list.
- Resistors.
Can be checked with an ohmmeter after having unsoldered one side of the resistor from the p.c.b. Compare the measured value with the value and tolerance indicated in the parts list.

- Coils and transformers.

An ohmmeter can be used for tracing an open circuit. Shorted or partially shorted windings can be found by checking the waveform responses when HF signals are passed through the circuit. Also an inductance meter can be used.

- Data latches.

To measure on inputs and outputs of data latches a measuring oscilloscope can be triggered by the clock signal which is connected to the clock input of the data latch. This measurement can only be made in this way when there is an acceptable repetition time of the clock signal. A too low clock pulse repetition time results in a low intensity of the trace on the measuring oscilloscope screen.

The outputs can easily be checked by a voltmeter or oscilloscope.

23.5.3 Power-up routine

Every time the instrument is switched-on the following initialisation program is executed:

- Checking the CPU.
- Initialisation of the IIC bus (if correct, all relevant LCD segments light for about 1 sec).
- Back up test.
- Initialisation of the variables.
- Checking if service routine is required (if yes, the program will continue with the service routine).
- Checking the "WATCH-DOG" on A12 .
- Eventually initialisation of the IEEE-option.

If during the program-run a circuit is found to be faulty, the program stops. It is recommended to switch-off and after a few seconds switch-on again. This will reset the micro-computer controlled system automatically. If the instrument goes in the same faulty situation again, the following procedure indicates how to handle. If no failure is found, all relevant LCD-segments will be lighting for about one second. After this the normal program is executed.

PROCEDURE:

Check if the LCD is lighting for about one second. If not, close solder-joint J202 on unit A12 and measure on testpin X223. If a square-wave is measured with a 6 us high period and a 8 us low period then the RAM is defective or one or more address/data lines are short circuited. If the LCD has lighted for about one second and the program stops, close also solder-joint J202 and measure on testpin X223. If now a pulse is measured with a 5 us high period and a 15 us low period then the IIC bus is defective. On the SCL a clockpulse must be present when a softkey (e.g. AUTO SET) is depressed while the SDA gives the data information (looks like a random pulse).

If one of these signals is not present, you can localize on what unit the fault exists. This can be done by first unplug connector X1009, X2001 or X101 on resp. A1, A2 and A11. To localize what serial-parallel conversion IC is defective, you can disconnect the solder joint in the SDA and SCL print track lead to that IC. The following IC's can be disconnected in this way: D1001, D1101, D2602, D2603, D4001, D4002, D4401, N103, N104 and N106 (see also figure 23.8).

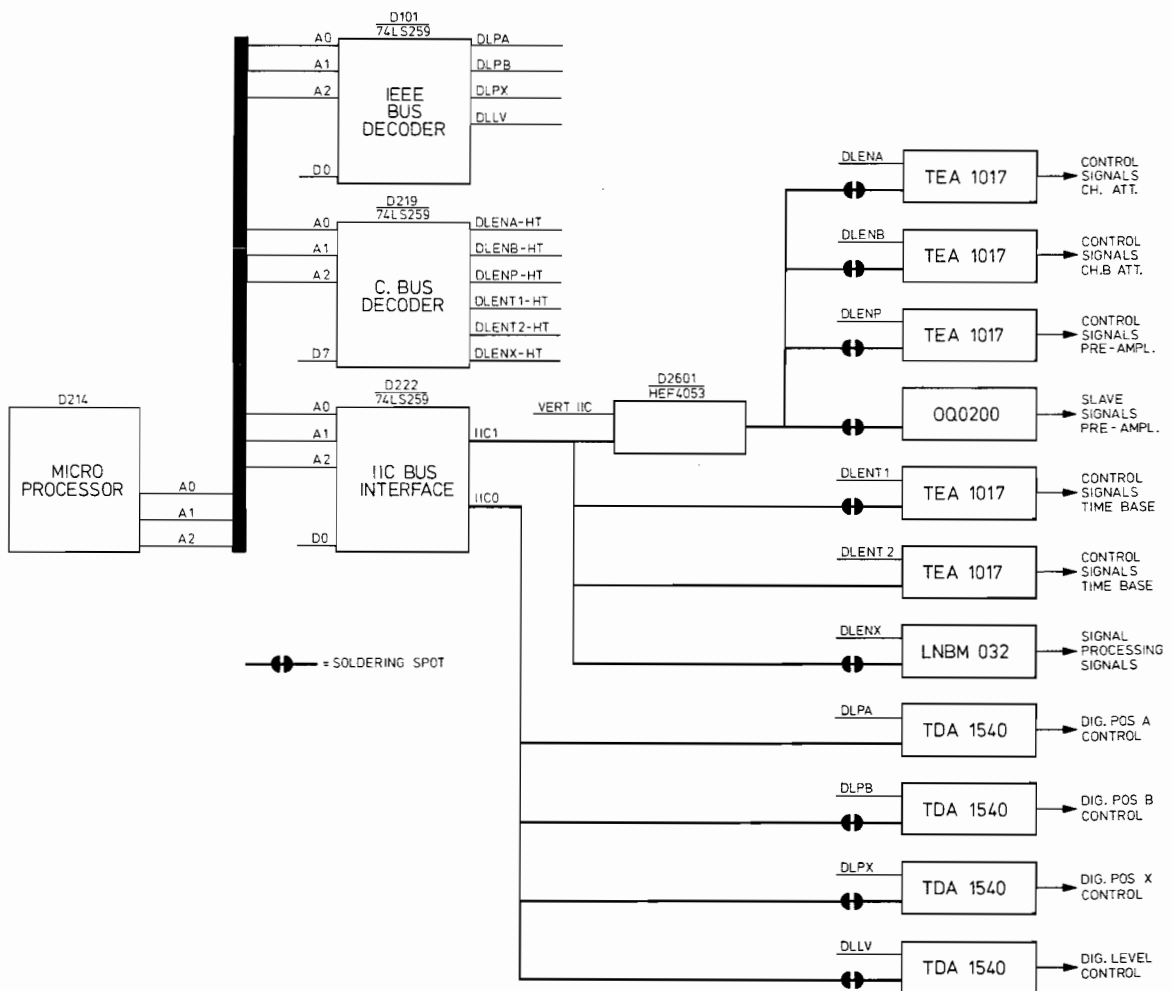
When the instrument restarts every time again, this means the WATCHDOG is initiating the main program (see also section 13.3), the watchdog can be disabled. This can be done by means of removing R204 on unit A12. When disabled, pin 36 and pin 37 of the microprocessor are set to a low level.

23.5.4 I²C structure

The I²C bus is for 2-way, 3-line communication between different ICs or modules. The three lines are a serial data line (SDA), a serial clock line (SCL) and ground. Both lines must be connected to a positive supply via a pull-up resistor when connected to the output stages of a device. Data transfer may be initiated only when the bus is not busy.

The lines SDA and SCL are fed to the various circuits, where depending on the addressing, the serial information is converted into the different control signals (see figure 23.7).

Note that for servicing, solder joints are added in the p.c.b. tracks connecting the circuits. These can be used to localize a fault in the I²C bus by means of interrupting the bus connection.



MAT2834
870522

Figure 23.7 I²C structure

23.5.5 Trouble-shooting the power supply

To determine whether a certain fault condition is initiated by the power supply itself or by the connected oscilloscope circuits, a dummy load is listed in the table below. The table gives also an example of the resistor types that can be used to compose the dummy load. These resistors can be ordered at Concern Service.

Supply voltage	Output current	Dummy resistance and their service ordering numbers
+ 5 V	2,4 A	2,9E-12W: 3 x 10E (4822 112 21052) and 22E (4822 11221063) in parallel.
- 6,4 V	930 mA	6,9E-6W: 8,2E (4822 112 41052) and 47E (4822 110 23072) in parallel.
+ 12 V	720 mA	17,2E-8,7W: 33E (4822 112 41067) and 39E (4822 112 43069) in parallel.
- 12 V	500 mA	24,7E-6W: 39E (4822 112 41069) and 68E (4822 112 41076) in parallel.
+ 17 V	340 mA	51E-6W: 1E (4822 110 23027) in serial with 2 x 100E (4822 112 41081) in parallel.
- 17 V	100 mA	171E-1,7W: 270E (4822 110 43092) and 470E (4822 110 43098) in parallel.
+ 48 V	140 mA	341E-7W: 330E (4822 112 41094) in serial with 12E (4822 110 23056) in parallel.
+ 48 V	40 mA	1k22-2W: 2k2 (4822 110 23116) and 2k7 (4822 110 23118) in parallel.

23.5.6 p.c.b. Interconnections

Figure 23.8 gives a survey of all interconnections between the p.c.b.'s and to the CRT. All interconnections between the connectors on board level are given in the diagram.

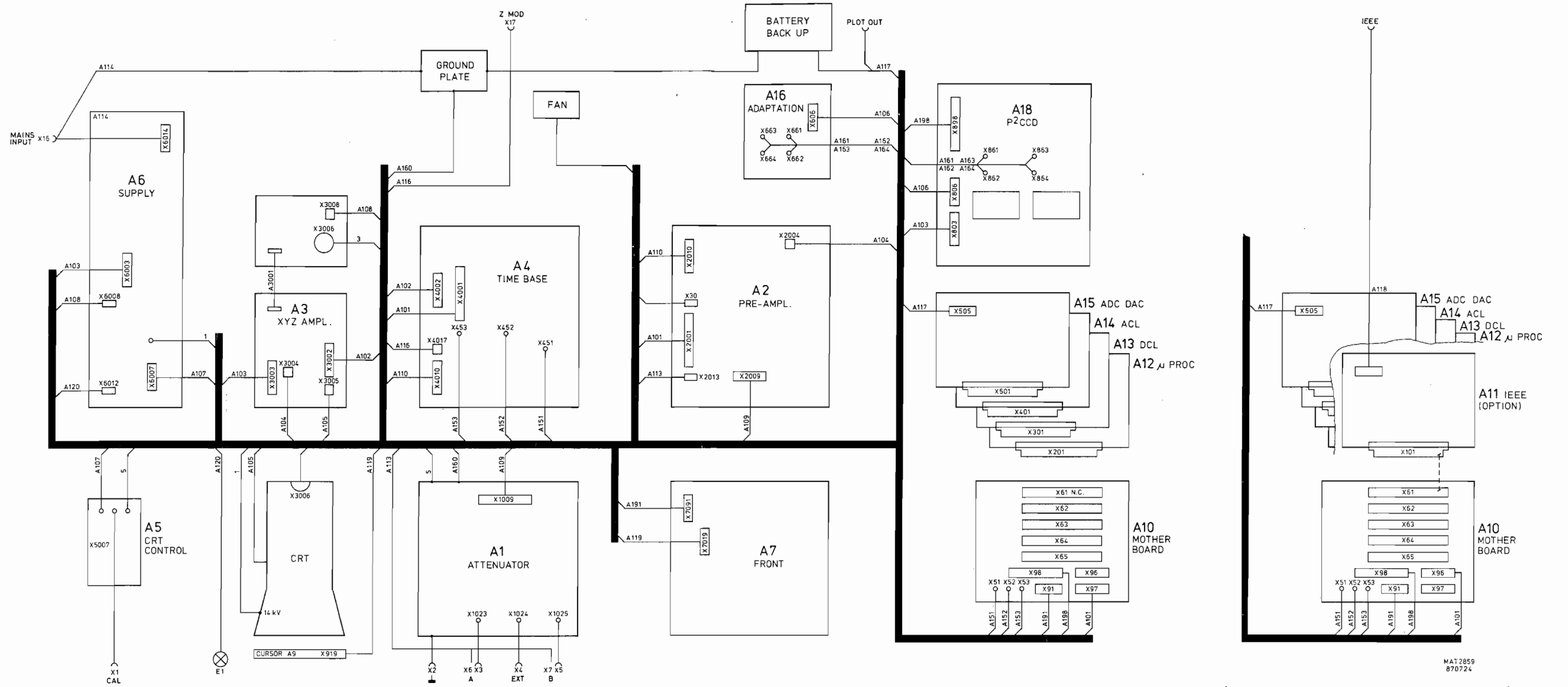


Figure 23.8 p.c.b. Interconnections

23.6 SPECIAL TOOLS

23.6.1 Trimming Kit SBC 317 - 4822 310 50095

The SBC 317 Trimming Kit matches every current trimming requirement for all products. The set contains 27 items (22 different bits, plus 3 bit holders and 2 extension pieces). The insulated holders and extension pieces make it easy to reach into a chassis and make accurate adjustments, without wasting time or risking shocks.

The SBC 317 Trimming Kit is packed in a flat transparent case. Several of the most commonly required bits are duplicated. In addition, a spare set of 8 bits is separately available as replacement (4822 310 50016).

The Trimming Kit contains the following parts:



Figure 23.9 Trimming tool kit

23.6.2 p.c.b. Snapper - 5322 535 91942

A special tool is available for removal of the p.c.b. from the p.c.b. supports. Information on how to use this tool is given in chapter 23.2. The ordering number of this tool is 5322 535 91942

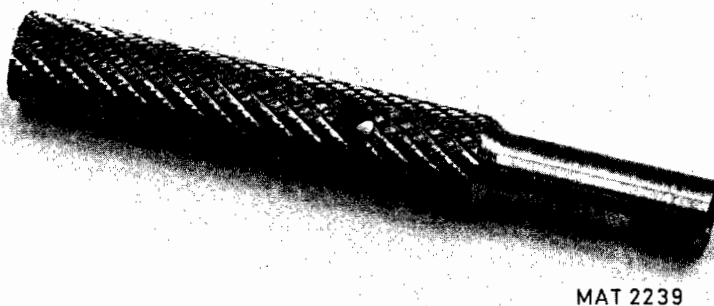


Figure 23.10 p.c.b. Snapper

23.6.3 Extension board - 5322 216 51211

For test and repair purposes the unit All...A15 can be plugged in their connectors via an extension board. This board is available under codenumber 5322 216 51211.

23.7 RECALIBRATION AFTER REPAIR

After any electrical component has been renewed the calibration of its associated circuit should be checked, as well as the calibration of other closely-related circuits.

Since the power supply affects all circuits, calibration of the entire instrument should be checked if work has been done in the power supply or if the transformer has been renewed.

24. SAFETY INSPECTION AND TEST AFTER REPAIR AND MAINTENANCE IN THE PRIMARY CIRCUIT

24.1 GENERAL DIRECTIVES

- Take care that the creepage distances and clearances have not been reduced.
- Before soldering, the wires should be bent through the holes of solder tags, or wrapped around the tag in the form of an open U, or, wiring rigidity shall be maintained by cable clamps or cable lacing.
- Replace all insulating guards and -plates.

24.2 SAFETY COMPONENTS

Components in the primary circuit may only be renewed by components selected by Philips, see also section 14.1.2.

24.3 CHECKING THE PROTECTIVE EARTH CONNECTION

The correct connection and condition is checked by visual control and by measuring the resistance between the protective lead connection at the plug and the cabinet/frame. The resistance shall not be more than 0,1 Ohm. During measurement the mains cable should be removed from the mains. Resistance variations indicate a defect.

24.4 CHECKING THE INSULATION RESISTANCE

Measure the insulation resistance at $U = 500$ V dc between the mains connections and the protective lead connections. For this purpose, set the mains switch to ON. The insulation resistance shall not be less than 2 Meg-ohm.

NOTE: 2 Meg-ohm is a minimum requirement at 40°C and 95 % Relative Humidity. Under normal conditions the insulation resistance should be much higher (10 ... 20 Meg-ohm).

24.5 CHECKING THE LEAKAGE CURRENT

The leakage current shall be measured between each pole of the mains supply in turn, and all accessible conductive parts connected together (including the measuring earth terminal).

The leakage current is not excessive if the measured currents from the mentioned parts does not exceed 3,5 mA rms.

24.6 VOLTAGE TEST

The instrument shall withstand, without electrical breakdown, the application of a test voltage between the supply circuit and accessible conductive parts that are likely to become energized. The test potential shall be 1500 V rms at supply-circuit frequency, applied for one second. The test shall be conducted when the instrument is fully assembled, and with the primary switch in the ON position. During the test, both sides of the primary circuit of the instrument are connected together and to one terminal of the voltage test equipment; the other voltage test equipment terminal is connected to the accessible conductive parts.

25. PARTS LIST

(subject to alteration without notice)

25.1 MECHANICAL PARTS

25.1.1 Mechanical parts indicated in figure 25.1.

Item	Qty	Ordering code	Description
1	1	5322 459 20503	Bezel
1a	1	5322 414 20213	Button
1b	1	5322 464 90484	Cover
2	1	5322 480 30181	Contrast filter blue
3	1	5322 455 81058	Textfilm on bezel PM3350
3	1	5322 455 81062	Textfilm on bezel PM3352
4	1	5322 268 14052	CAL socket
5	1	4822 530 70296	Clamping spring for CAL socket
6	11	5322 414 10018	Control knob with spring
7	1	5322 464 90252	Front frame
8	1	5322 455 81026	Textfilm CRT unit
9	1	5322 455 81057	Textfilm for handle PM3350
10	1	5322 498 50219	Handle assembly
11	1	5322 414 60142	Power-on knob, green-brown
12	2	5322 492 63355	Spring for handle
13	1	5322 535 80735	Extension part for power-on switch
14	1		Upper cabinet
15	2	5322 462 10264	p.c.b. guiding for A6
16	2	5322 462 10265	p.c.b. support for A3
17	1	5322 464 90486	Chassis
18	6	5322 462 30304	p.c.b. support
19	1	5322 464 90249	Bottom cabinet
20	2	5322 464 90253	Attenuator cover
21	4	5322 462 50325	Bottom foot
22	3	5322 532 21188	BNC spacer ring
23	3	5322 506 41006	BNC extension bush
24	3	5322 267 10004	BNC socket
25	1	5322 464 90254	Front unit frame
26	1	5322 455 81061	Textfilm for front unit
27	23	5322 276 11856	Softkey brown
28	1	5322 276 12332	Softkey mushroom
29	1	5322 276 11857	Softkey green
31	5	5322 277 10878	UP-DOWN key brown
32	2	5322 492 63354	Range indication spring
33	1	5322 450 60952	LCD window
34	1	5322 256 60289	Battery back-up holder
35	1	5322 361 10326	FAN assembly
36	4	5322 462 30377	Panel support
37	4	4822 530 70296	Panel support clamp
38	1	5322 417 20154	Metal fastener for A18
-	3	5322 401 10954	Delay line cable clamp
-	2	5322 255 40054	Heatsink for V3011 and V3012
39	2	5322 290 40257	Flat cable clamp
40	2	5322 532 11588	Rubber support
41	2	5322 256 64014	Battery holder

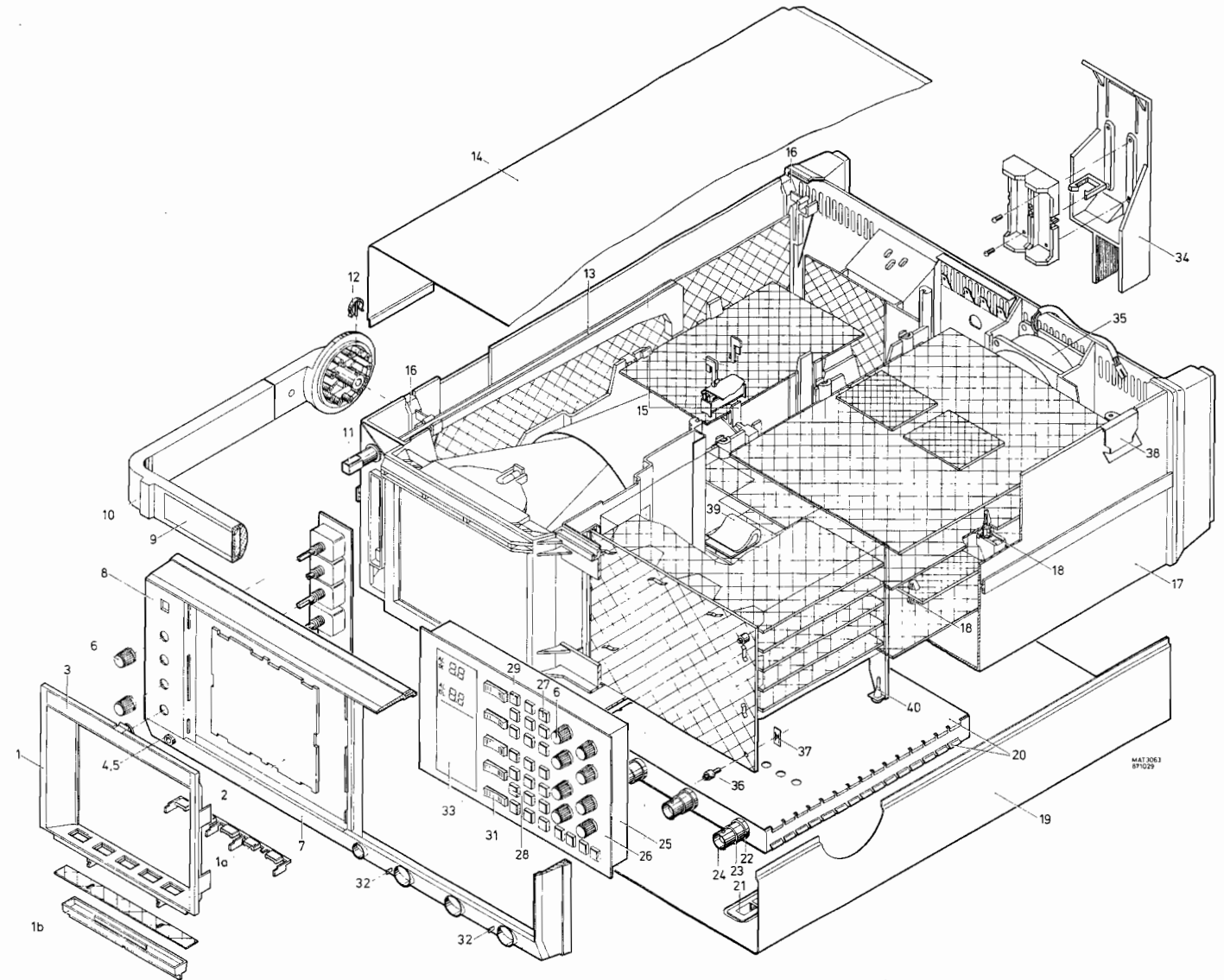


Figure 25.1 Exploded view

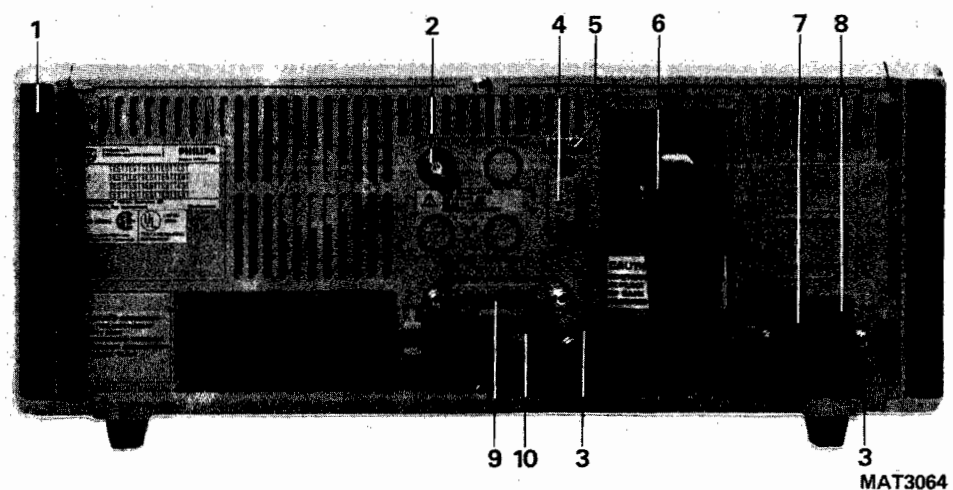


Figure 25.2 Rear view

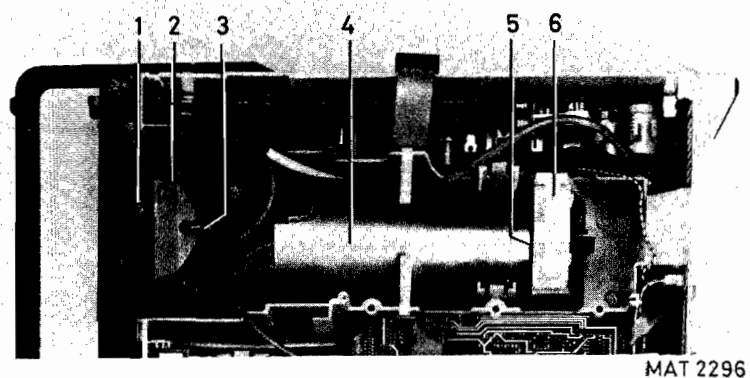


Figure 25.3 Inside view showing the parts in the CRT compartment

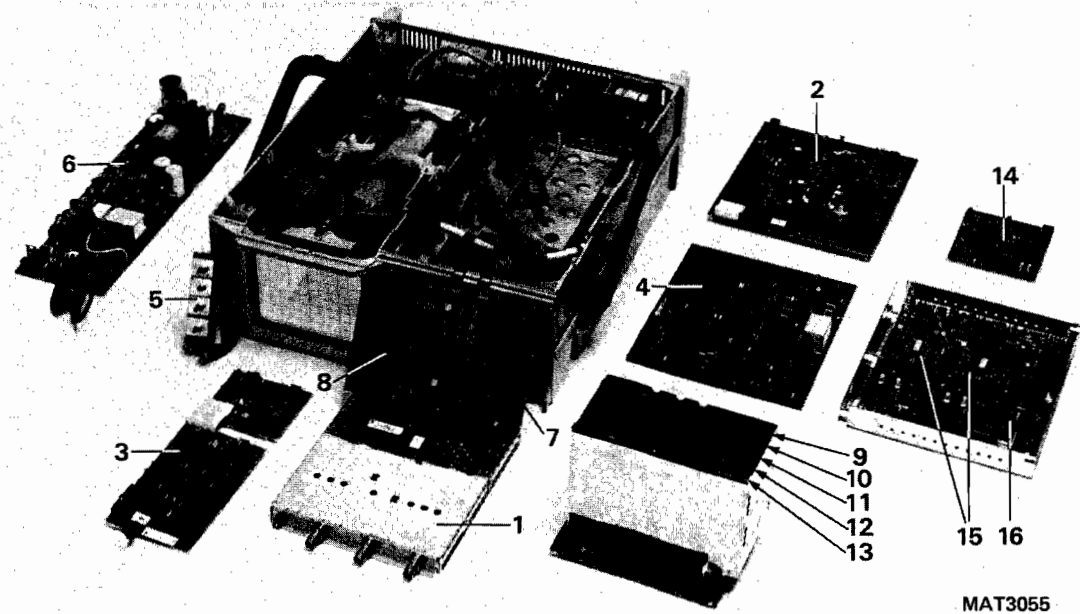


Figure 25.4 View of the units

25.1.2 Mechanical parts indicated in figure 25.2

Item	Qty	Ordering code	Description
1	2	5322 462 50324	Rear foot
2	1	5322 267 10004	BNC socket for Z-MOD
3	4	5322 502 12003	Screws for Analog Plot outand Mains input sockets
4	1	5322 321 22614	Analog plot out socket
5	1	5322 455 81059	Analog plot and sticker
6	1	5322 321 21616	Line cable, European version
	1	5322 321 10466	Line cable, USA version
	1	5322 321 21617	Line cable, British version
	1	5322 321 21618	Line cable, Swiss version
	1	5322 321 21781	Line cable, Australean version
7	1	5322 219 81119	Mains input socket, incl. fuse holder
8	1	4822 253 30024	Fuse 1,6A (for mains input)
9	1	5322 321 22615	IEEE socket
10	1	5322 455 81063	IEEE sticker

25.1.3 Mechanical parts indicated in figure 25.3

Item	Qty	Ordering code	Description
1	1	5322 460 60404	CRT front rubber
2	1	5322 462 40957	Light conductor for CRT
3	1	5322 134 40534	Lamp 28V-40mA
4	1	5322 466 30163	CRT shielding
5	1	5322 466 30164	CRT manchet, rubber
6	1	5322 462 10263	CRT support

25.2 UNITS (see figure 25.4)

Item	Qty	Ordering code	Description
1	A1	5322 216 51114	Attenuator unit
2	A2	5322 216 51196	Pre-amplifier unit
3	A3	5322 216 51117	XYZ-amplifier unit
4	A4	5322 216 51208	Time-base unit
5	A5	5322 216 51118	CRT-control unit
6	A6	5322 216 51195	Power supply unit
7	A7	5322 216 51197	Front unit
8	A8	5322 216 51207	LCD unit
9	A11	5322 216 51198	IEEE unit
10	A12	5322 216 51199	Microprocessor unit
11	A13	5322 216 51201	DCL unit
12	A14	5322 216 51202	ACL unit
13	A15	5322 216 51203	ADC-DAC unit
14	A16	5322 216 51204	Adaptation unit
15	A17	5322 216 51205	Mini CCD unit
16	A18	5322 210 51206	P-CCD unit
17	A19	5322 216 51209	Cursor unit

25.3 CABLES AND CONNECTORS

25.3.1 Flatcables and connectors

For the flatcables used in this oscilloscope, the required version must be made by yourself with the following parts:

- Universal flatcable, 40 wires, length 60 cm 5322 323 50112

To get the required number of wires, the flat cable must be split by means of a pair of scissors or a knife.
The cable must be cut to the required length.

- Flatcable connectors

The connectors can be mounted on the flatcable by means of a pair of pliers or in a bench-vice.

ATTENTION: Check the position of the flatcable in the connector before pressing the connector together.

The following connectors are available:

6 pole cable connector	X7019	5322 268 40301
10 pole cable connector	X505-X606-X806- X4016-X5007-X6007	5322 268 40234
20 pole cable connector	X91-X803-X2010- X3002-X3003-X4002 X4010-X6009-X7091	5322 268 40235
26 pole cable connector	X102-X1009-X2009	5322 167 70175
34 pole cable connector	X69(X97)-X2001-X4001	5322 268 40236
40 pole cable connector	X98-X808	5322 268 70227

The following AMP-connectors are available:

2 pole-single, without contact pins	5322 268 40232
3 pole-single, without contact pins	5322 268 40233
bus contact for AMP-cable connector, per piece:	5322 268 20152
5 pole connector for power-in:	5322 268 50452
bus contact for connector, per piece:	5322 268 24128

NOTE: The flatcables are fixed onto the p.c.b. connectors by means of flatcable connector clamps, per piece:

5322 401 11156

25.3.2 p.c.b.-Connectors (male headers)

Type	Item	Ordering number
2 pole-single	X2013-X4017-X6020	5322 265 20275
3 pole-single	X6008-X6019	5322 265 30434
3 pole-single	X6018 (power supply)	5322 265 40435
3 pole-single 90° type	X2004-X3004-X3005- X3008	5322 265 30433
5 pole-single	X6014	5322 265 40436
6 pole-single	X7013	5322 265 30591
10 pole-double	X606-X806-X4016- X5007-X6007	5322 265 40485
10 pole-double 90° type	X505	5322 265 51188
20 pole-double	X91-X803-X2010- X3002-X3003-X4002- X4010-X6003-X709	5322 265 51129
26 pole-double	X102-X1009-X2009	5322 265 61071
34 pole-double	X96-X97-X2001-X4001	5322 265 61069
40 pole-double	X98-X808	5322 265 61072

25.3.3 50 Ohm cables and connectors

The 50 Ohm coax-cables are standerdized, so some cables are a little bit too long.

The tules around the cable end might have the wrong colour, but if necessary it can be replaced by the original one.

- Cable, 30 cm long, 90°type	5322 321 22617
- Cable, 45 cm long	5322 321 22616

The 50 Ohm coax-connector socket consists of two parts, bush and pin.

- Outer part (bush)	5322 268 24116
- Inner part (pin)	5322 268 14141

25.3.4 Miscelleneous cables

- Delay line cable, 54 cm long	5322 321 21595
- Flex jump cable, used for interconnection for A3 - 11-pole.	5322 290 60605

25.3.5 Miscellaneous sockets and connectors

CRT-socket	5322 255 40502
p.c.b. socket, 96-pole, triple	5322 267 70167
p.c.b. connector, 96 pole, triple	5322 265 61029
Socket for D314	5322 255 40677
Socket for D801	5322 255 40815
Socket for D214, 48 pins	5322 255 40851
Socket for D216, 32 pins	5322 255 40829
p.c.b. socket, 8-pole (X621, X622, X623, X624)	5322 265 40483
p.c.b. socket, 8-pole (X2021, X2022, X2023, X2024)	5322 267 50786

25.4 ELECTRICAL PARTS

25.4.1 Capacitors

POSNR	DESCRIPTION	ORDERING CODE
C 0201	-10+50% 33UF	4822 124 20712
C 0202	-10+50% 33UF	4822 124 20712
C 0203	63V 10% 220NF	5322 121 43084
C 0204	63V 10% 100NF	5322 121 43083
C 0251	-20+50% 10NF	4822 122 31414
C 0252	-10+50% 220UF	4822 124 20681
C 0253	-20+50% 10NF	4822 122 31414
C 0254	-20+50% 10NF	4822 122 31414
C 0256	-20+50% 10NF	4822 122 31414
C 0257	-20+50% 10NF	4822 122 31414
C 0258	-20+50% 10NF	4822 122 31414
C 0259	-20+50% 10NF	4822 122 31414
C 0261	-20+50% 10NF	4822 122 31414
C 0262	-20+50% 10NF	4822 122 31414
C 0263	-20+50% 10NF	4822 122 31414
C 0264	-20+50% 10NF	4822 122 31414
C 0266	-20+50% 10NF	4822 122 31414
C 0267	-20+50% 10NF	4822 122 31414
C 0268	-20+50% 10NF	4822 122 31414
C 0269	-20+50% 10NF	4822 122 31414
C 0271	-20+50% 10NF	4822 122 31414
C 0272	-20+50% 10NF	4822 122 31414
C 0273	-20+50% 10NF	4822 122 31414
C 0274	-20+50% 10NF	4822 122 31414
C 0276	-20+50% 10NF	4822 122 31414
C 0277	-20+50% 10NF	4822 122 31414
C 0278	-20+50% 10NF	4822 122 31414
C 0279	63V 10% 100NF	5322 121 43083
C 0281	-10+50% 100UF	4822 124 20679
C 0282	-10+50% 100UF	4822 124 20679
C 0283	-10+50% 100UF	4822 124 20679
C 0284	-10+50% 100UF	4822 124 20679
C 0301	-20+50% 10NF	4822 122 31414
C 0302	-20+50% 10NF	4822 122 31414
C 0303	-20+50% 10NF	4822 122 31414
C 0304	-20+50% 10NF	4822 122 31414
C 0306	-20+50% 10NF	4822 122 31414
C 0307	-20+50% 10NF	4822 122 31414
C 0308	-20+50% 10NF	4822 122 31414
C 0309	-20+50% 10NF	4822 122 31414
C 0311	-20+50% 10NF	4822 122 31414
C 0312	-20+50% 10NF	4822 122 31414
C 0313	-20+50% 10NF	4822 122 31414
C 0314	-20+50% 10NF	4822 122 31414
C 0316	-10+50% 220UF	4822 124 20681
C 0317	63V 10% 100NF	5322 121 43083
C 0318	-10+50% 100UF	4822 124 20679
C 0319	-20+50% 10NF	4822 122 31414
C 0321	-20+50% 10NF	4822 122 31414
C 0322	-20+50% 10NF	4822 122 31414
C 0323	-20+50% 10NF	4822 122 31414
C 0324	-20+50% 10NF	4822 122 31414
C 0326	-20+50% 10NF	4822 122 31414
C 0401	-20+50% 10NF	4822 122 31414

POSNR	DESCRIPTION	ORDERING CODE
C 0402	-20+50% 10NF	4822 122 31414
C 0403	-20+50% 10NF	4822 122 31414
C 0404	-20+50% 10NF	4822 122 31414
C 0406	-20+50% 10NF	4822 122 31414
C 0407	-20+50% 10NF	4822 122 31414
C 0408	-20+50% 10NF	4822 122 31414
C 0409	-20+50% 10NF	4822 122 31414
C 0411	-20+50% 10NF	4822 122 31414
C 0412	-20+50% 10NF	4822 122 31414
C 0413	-20+50% 10NF	4822 122 31414
C 0414	-20+50% 10NF	4822 122 31414
C 0416	-20+50% 10NF	4822 122 31414
C 0417	-10+50% 220UF	4822 124 20681
C 0418	63V 10% 100NF	5322 121 43083
C 0419	2% 82PF	4822 122 31237
C 0421	-10+50% 220UF	4822 124 20681
C 0422	-20+50% 10NF	4822 122 31414
C 0423	2% 82PF	4822 122 31237
C 0424	2% 82PF	4822 122 31237
C 0511	-20+50% 10NF	4822 122 31414
C 0512	63V 10% 100NF	5322 121 43083
C 0513	-20+50% 10NF	4822 122 31414
C 0514	63V 10% 100NF	5322 121 43083
C 0517	-20+50% 10NF	4822 122 31414
C 0519	-20+50% 10NF	4822 122 31414
C 0521	630V 1% 470PF	5322 121 50999
C 0522	630V 1% 470PF	5322 121 50999
C 0523	100V 10% 10NF	5322 121 43086
C 0524	10% 1NF	4822 122 30027
C 0526	100V 10% 10NF	5322 121 43086
C 0527	10% 1NF	4822 122 30027
C 0528	2% 12PF	4822 122 31056
C 0531	-20+50% 10NF	4822 122 31414
C 0532	-20+50% 10NF	4822 122 31414
C 0533	63V 10% 100NF	5322 121 43083
C 0534	63V 10% 100NF	5322 121 43083
C 0535	-20+50% 10NF	4822 122 31414
C 0536	63V 10% 100NF	5322 121 43083
C 0538	-20+50% 10NF	4822 122 31414
C 0539	2% 10PF	4822 122 32185
C 0541	-20+50% 10NF	4822 122 31414
C 0542	-10+50% 68UF	4822 124 20689
C 0543	-20+50% 10NF	4822 122 31414
C 0544	-20+50% 10NF	4822 122 31414
C 0546	-20+50% 10NF	4822 122 31414
C 0547	-20+50% 10NF	4822 122 31414
C 0548	-20+50% 10NF	4822 122 31414
C 0549	-10+50% 68UF	4822 124 20689
C 0551	-20+50% 10NF	4822 122 31414
C 0552	-20+50% 10NF	4822 122 31414
C 0553	-20+50% 10NF	4822 122 31414
C 0554	-20+50% 10NF	4822 122 31414
C 0555	-20+50% 10NF	4822 122 31414
C 0556	-20+50% 10NF	4822 122 31414
C 0557	-10+50% 47UF	4822 124 20699
C 0558	-20+50% 10NF	4822 122 31414
C 0559	-10+50% 150UF	4822 124 20672
C 0561	-20+50% 10NF	4822 122 31414
C 0562	-20+50% 10NF	4822 122 31414
C 0563	-20+50% 10NF	4822 122 31414

POSNR	DESCRIPTION	ORDERING CODE
C 0564	-20+50% 10NF	4822 122 31414
C 0565	-10+50% 47UF	4822 124 20699
C 0571	-20+50% 10NF	4822 122 31414
C 0572	63V 10% 100NF	5322 121 43083
C 0573	-20+50% 10NF	4822 122 31414
C 0574	63V 10% 100NF	5322 121 43083
C 0591	-20+50% 10NF	4822 122 31414
C 0593	-20+50% 10NF	4822 122 31414
C 0594	2% 15PF	4822 122 31823
C 0596	100V 10% 10NF	5322 121 43086
C 0597	10% 1NF	4822 122 30027
C 0601	-20+50% 10NF	4822 122 31414
C 0601	-20+50% 10NF	4822 122 31414
C 0602	-20+50% 10NF	4822 122 31414
C 0602	-20+50% 10NF	4822 122 31414
C 0603	-20+50% 10NF	4822 122 31414
C 0604	10% 470PF	4822 122 30034
C 0606	10% 1NF	4822 122 30027
C 0681	-10+50% 47UF	4822 124 20699
C 0682	-20+50% 10NF	4822 122 31414
C 0683	-10+50% 47UF	4822 124 20699
C 0684	-20+50% 10NF	4822 122 31414
C 0689	-20+50% 10NF	4822 122 31414
C 0691	-20+50% 10NF	4822 122 31414
C 0692	-20+50% 10NF	4822 122 31414
C 0693	-20+50% 10NF	4822 122 31414
C 0701	50V 5% 8.2PF	5322 122 33244
C 0702	50V 10% 22NF	5322 122 32654
C 0703	50V 5% 8.2PF	5322 122 33244
C 0704	50V 10% 22NF	5322 122 32654
C 0705	50V 5% 18PF	5322 122 32965
C 0706	50V 10% 22NF	5322 122 32654
C 0707	50V 10% 22NF	5322 122 32654
C 0721	50V 10% 22NF	5322 122 32654
C 0722	50V 10% 22NF	5322 122 32654
C 0723	50V 10% 22NF	5322 122 32654
C 0724	50V 10% 22NF	5322 122 32654
C 0725	50V 10% 22NF	5322 122 32654
C 0731	50V 10% 22NF	5322 122 32654
C 0732	50V 10% 22NF	5322 122 32654
C 0733	50V 10% 22NF	5322 122 32654
C 0734	50V 10% 22NF	5322 122 32654
C 0736	50V 10% 22NF	5322 122 32654
C 0737	50V 10% 22NF	5322 122 32654
C 0738	50V 10% 22NF	5322 122 32654
C 0739	50V 10% 22NF	5322 122 32654
C 0741	50V 5% 100PF	5322 122 32532
C 0761	50V 10% 22NF	5322 122 32654
C 0763	50V 10% 22NF	5322 122 32654
C 0764	50V 10% 22NF	5322 122 32654
C 0766	50V 10% 22NF	5322 122 32654
C 0767	50V 10% 22NF	5322 122 32654
C 0768	50V 10% 22NF	5322 122 32654
C 0769	50V 10% 22NF	5322 122 32654
C 0770	50V 10% 22NF	5322 122 32654
C 0771	50V 5% 100PF	5322 122 32532
C 0791	50V 10% 22NF	5322 122 32654
C 0792	50V 10% 22NF	5322 122 32654
C 0793	50V 10% 22NF	5322 122 32654
C 0794	50V 10% 22NF	5322 122 32654

POSNR	DESCRIPTION	ORDERING CODE
C 0796	50V 10% 22NF	5322 122 32654
C 0802	-20+50% 10NF	4822 122 31414
C 0804	-20+50% 10NF	4822 122 31414
C 0807	-20+50% 10NF	4822 122 31414
C 0809	-20+50% 10NF	4822 122 31414
C 0811	-10+50% 100UF	4822 124 20679
C 0814	-20+50% 10NF	4822 122 31414
C 0817	-20+50% 10NF	4822 122 31414
C 0818	2% 10PF	4822 122 32185
C 0819	-20+50% 10NF	4822 122 31414
C 0823	-20+50% 10NF	4822 122 31414
C 0824	2% 10PF	4822 122 32185
C 0825	-20+50% 10NF	4822 122 31414
C 0826	-10+50% 100UF	4822 124 20679
C 0832	-20+50% 10NF	4822 122 31414
C 0834	-20+50% 10NF	4822 122 31414
C 0835	-10+50% 100UF	4822 124 20679
C 0837	-20+50% 10NF	4822 122 31414
C 0839	-20+50% 10NF	4822 122 31414
C 0844	-20+50% 10NF	4822 122 31414
C 0847	-20+50% 10NF	4822 122 31414
C 0848	2% 10PF	4822 122 32185
C 0849	-20+50% 10NF	4822 122 31414
C 0851	-10+50% 100UF	4822 124 20679
C 0853	-20+50% 10NF	4822 122 31414
C 0854	2% 10PF	4822 122 32185
C 0855	-20+50% 10NF	4822 122 31414
C 0861	-20+50% 10NF	4822 122 31414
C 0862	-20+50% 10NF	4822 122 31414
C 0865	2% 12PF	4822 122 31056
C 0866	2% 39PF	4822 122 31069
C 0867	10% 1NF	4822 122 30027
C 0869	10% 1NF	4822 122 30027
C 0871	10% 470PF	4822 122 30034
C 0872	-20+50% 10NF	4822 122 31414
C 0874	10% 1NF	4822 122 30027
C 0875	2% 100PF	4822 122 31316
C 0883	-10+50% 150UF	4822 124 20672
C 0884	-10+50% 150UF	4822 124 20672
C 0895	-20+50% 10NF	4822 122 31414
C 0896	-20+50% 10NF	4822 122 31414
C 0897	-20+50% 10NF	4822 122 31414
C 0898	-10+50% 47UF	4822 124 20699
C 0899	-20+50% 10NF	4822 122 31414
C 0901	100V 10% 22NF	5322 121 43087
C 0903	2% 56PF	4822 122 32027
C 0906	100V 10% 22NF	5322 121 43087
C 0908	2% 56PF	4822 122 32027
C 0911	100V 10% 22NF	5322 121 43087
C 0913	2% 56PF	4822 122 32027
C 0916	100V 10% 22NF	5322 121 43087
C 0917	-20+50% 10NF	4822 122 31414
C 0918	2% 56PF	4822 122 32027
C 0920	-20+50% 10NF	4822 122 31414
C 0921	-10+50% 100UF	4822 124 20679
C 0921	-20+50% 10NF	4822 122 31414
C 0922	-20+50% 10NF	4822 122 31414
C 0923	-20+50% 10NF	4822 122 31414
C 0924	-20+50% 10NF	4822 122 31414
C 0925	-20+50% 10NF	4822 122 31414

POSNR	DESCRIPTION	ORDERING CODE
C 0926	-20+50% 10NF	4822 122 31414
C 0927	-20+50% 10NF	4822 122 31414
C 0928	-20+50% 10NF	4822 122 31414
C 0929	-20+50% 10NF	4822 122 31414
C 0930	-20+50% 10NF	4822 122 31414
C 0931	-20+50% 10NF	4822 122 31414
C 0932	-20+50% 10NF	4822 122 31414
C 0933	-20+50% 10NF	4822 122 31414
C 0934	-20+50% 10NF	4822 122 31414
C 0935	-20+50% 10NF	4822 122 31414
C 0936	-20+50% 10NF	4822 122 31414
C 0937	-20+50% 10NF	4822 122 31414
C 0938	-20+50% 10NF	4822 122 31414
C 0939	-20+50% 10NF	4822 122 31414
C 0942	-20+50% 10NF	4822 122 31414
C 0951	-20+50% 10NF	4822 122 31414
C 0952	-20+50% 10NF	4822 122 31414
C 0953	-20+50% 10NF	4822 122 31414
C 0954	-20+50% 10NF	4822 122 31414
C 0956	-20+50% 10NF	4822 122 31414
C 0957	-20+50% 10NF	4822 122 31414
C 0958	-20+50% 10NF	4822 122 31414
C 0959	-20+50% 10NF	4822 122 31414
C 0960	-20+50% 10NF	4822 122 31414
C 0961	-20+50% 10NF	4822 122 31414
C 0962	-10+50% 150UF	4822 124 20672
C 0963	-10+50% 150UF	4822 124 20672
C 0964	-10+50% 150UF	4822 124 20672
C 0965	-20+50% 10NF	4822 122 31414
C 0966	-20+50% 10NF	4822 122 31414
C 0967	-20+50% 10NF	4822 122 31414
C 0968	-20+50% 10NF	4822 122 31414
C 0969	-20+50% 10NF	4822 122 31414
C 0971	-20+50% 10NF	4822 122 31414
C 0972	-20+50% 10NF	4822 122 31414
C 0973	-20+50% 10NF	4822 122 31414
C 0974	-20+50% 10NF	4822 122 31414
C 0976	-10+50% 15UF	4822 124 20729
C 0977	-10+50% 47UF	4822 124 20699
C 0978	-10+50% 68UF	4822 124 20689
C 0979	-10+50% 68UF	4822 124 20689
C 0980	-20+50% 10NF	4822 122 31414
C 0981	-20+50% 10NF	4822 122 31414
C 0982	-20+50% 10NF	4822 122 31414
C 0983	-20+50% 10NF	4822 122 31414
C 0984	-20+50% 10NF	4822 122 31414
C 0985	-20+50% 10NF	4822 122 31414
C 0986	-20+50% 10NF	4822 122 31414
C 0987	-10+50% 47UF	4822 124 20699
C 0988	-20+50% 10NF	4822 122 31414
C 0996	-20+50% 10NF	4822 122 31414
C 0997	-10+50% 150UF	4822 124 20672
C 0998	-20+50% 10NF	4822 122 31414
C 1001	-20+50% 10NF	4822 122 31414
C 1002	400V 10% 22NF	5322 121 40308
C 1003	-20+50% 10NF	4822 122 31414
C 1004	-20+50% 10NF	4822 122 31414
C 1006	-20+50% 10NF	4822 122 31414
C 1009	2% 33PF	5322 122 32072
C 1011	63V 10% 220NF	5322 121 43084

POSNR	DESCRIPTION	ORDERING CODE
C 1012	63V 10% 220NF	5322 121 43084
C 1013	2% 15PF	4822 122 31823
C 1016	0.25PF 3.3PF	5322 122 32549
C 1017	0.25PF 3.3PF	4822 122 31821
C 1018	0.25PF 2.7PF	5322 122 32894
C 1019	2% 33PF	5322 122 32072
C 1021	-20+50% 10NF	4822 122 31414
C 1022	2% 22PF	5322 122 32143
C 1023	7-10.0 PF MUR	5322 125 11013
C 1024	-20+50% 10NF	4822 122 31414
C 1026	0.25PF 3.3PF	5322 122 32549
C 1027	0.25PF 2.2PF	5322 122 32774
C 1028	2% 33PF	5322 122 32072
C 1029	7-10.0 PF MUR	5322 125 11013
C 1031	-20+50% 10NF	4822 122 31414
C 1032	2% 33PF	5322 122 32551
C 1033	7-10.0 PF MUR	5322 125 11013
C 1034	-20+50% 10NF	4822 122 31414
C 1035	-20+50% 10NF	4822 122 31414
C 1036	2% 39PF	4822 122 31069
C 1037	2% 22PF	5322 122 32143
C 1038	2% 100PF	4822 122 31316
C 1039	0.25PF 2.2PF	4822 122 31036
C 1041	63V 10% 100NF	5322 121 43083
C 1042	-20+50% 10NF	4822 122 31414
C 1043	-20+50% 10NF	4822 122 31414
C 1044	-20+50% 10NF	4822 122 31414
C 1045	-20+50% 10NF	4822 122 31414
C 1046	-10+50% 68UF	4822 124 20689
C 1047	0.25PF 4.7PF	4822 122 31822
C 1061	10% 470PF	4822 122 30034
C 1062	0.25PF 3.3PF	4822 122 31821
C 1063	2% 33PF	5322 122 32072
C 1064	10% 680PF	4822 122 30053
C 1067	2% 68PF	4822 122 31349
C 1068	-20+50% 10NF	4822 122 31414
C 1071	-20+50% 10NF	4822 122 31414
C 1072	-20+50% 10NF	4822 122 31414
C 1076	10% 1.5NF	4822 122 31169
C 1077	10% 1.5NF	4822 122 31169
C 1101	-20+50% 10NF	4822 122 31414
C 1102	400V 10% 22NF	5322 121 40308
C 1103	-20+50% 10NF	4822 122 31414
C 1104	-20+50% 10NF	4822 122 31414
C 1106	-20+50% 10NF	4822 122 31414
C 1109	2% 33PF	5322 122 32072
C 1111	63V 10% 220NF	5322 121 43084
C 1112	63V 10% 220NF	5322 121 43084
C 1113	2% 15PF	4822 122 31823
C 1116	0.25PF 3.3PF	5322 122 32549
C 1117	0.25PF 3.3PF	4822 122 31821
C 1118	0.25PF 2.7PF	5322 122 32894
C 1119	2% 33PF	5322 122 32072
C 1121	-20+50% 10NF	4822 122 31414
C 1122	2% 22PF	5322 122 32143
C 1123	7-10.0 PF MUR	5322 125 11013
C 1124	-20+50% 10NF	4822 122 31414
C 1126	0.25PF 3.3PF	5322 122 32549
C 1127	0.25PF 2.2PF	5322 122 32774
C 1128	2% 33PF	5322 122 32072

POSNR	DESCRIPTION	ORDERING CODE
C 1129	7-10.0 PF MUR	5322 125 11013
C 1131	-20+50% 10NF	4822 122 31414
C 1132	2% 33PF	5322 122 32551
C 1133	7-10.0 PF MUR	5322 125 11013
C 1134	-20+50% 10NF	4822 122 31414
C 1135	-20+50% 10NF	4822 122 31414
C 1136	2% 39PF	4822 122 31069
C 1137	2% 22PF	5322 122 32143
C 1138	2% 100PF	4822 122 31316
C 1139	0.25PF 2.2PF	4822 122 31036
C 1141	63V 10% 100NF	5322 121 43083
C 1142	-20+50% 10NF	4822 122 31414
C 1143	-20+50% 10NF	4822 122 31414
C 1144	-20+50% 10NF	4822 122 31414
C 1145	-20+50% 10NF	4822 122 31414
C 1146	-10+50% 68UF	4822 124 20689
C 1147	0.25PF 4.7PF	4822 122 31822
C 1161	10% 470PF	4822 122 30034
C 1162	0.25PF 3.3PF	4822 122 31821
C 1163	2% 33PF	5322 122 32072
C 1164	10% 680PF	4822 122 30053
C 1167	2% 68PF	4822 122 31349
C 1168	-20+50% 10NF	4822 122 31414
C 1171	-20+50% 10NF	4822 122 31414
C 1172	-20+50% 10NF	4822 122 31414
C 1176	10% 1.5NF	4822 122 31169
C 1177	10% 1.5NF	4822 122 31169
C 1201	-20+50% 10NF	4822 122 31414
C 1202	400V 10% 22NF	5322 121 40308
C 1203	2% 33PF	5322 122 32551
C 1204	0.25PF 3.9PF	4822 122 31217
C 1206	7-10.0 PF MUR	5322 125 11013
C 1207	2% 22PF	5322 122 32143
C 1208	-20+50% 10NF	4822 122 31414
C 1210	0.25PF 0.56PF	5322 122 32107
C 1211	-20+50% 10NF	4822 122 31414
C 1212	2% 100PF	4822 122 31316
C 1216	0.25PF 4.7PF	4822 122 31822
C 1217	-20+50% 10NF	4822 122 31414
C 1401	-20+50% 10NF	4822 122 31414
C 1402	-20+50% 10NF	4822 122 31414
C 1403	-20+50% 10NF	4822 122 31414
C 1404	-10+50% 68UF	4822 124 20689
C 1405	-20+50% 10NF	4822 122 31414
C 1407	-20+50% 10NF	4822 122 31414
C 1408	-20+50% 10NF	4822 122 31414
C 1409	-10+50% 68UF	4822 124 20689
C 1411	-20+50% 10NF	4822 122 31414
C 1412	-20+50% 10NF	4822 122 31414
C 1413	-10+50% 47UF	4822 124 20699
C 1414	-20+50% 10NF	4822 122 31414
C 1420	-20+50% 10NF	4822 122 31414
C 1421	-20+50% 10NF	4822 122 31414
C 1422	-20+50% 10NF	4822 122 31414
C 1423	-20+50% 10NF	4822 122 31414
C 1424	-10+50% 68UF	4822 124 20689
C 1427	-20+50% 10NF	4822 122 31414
C 1428	-20+50% 10NF	4822 122 31414
C 1429	-10+50% 68UF	4822 124 20689
C 1431	-20+50% 10NF	4822 122 31414

POSNR	DESCRIPTION	ORDERING CODE
C 1432	-20+50% 10NF	4822 122 31414
C 1433	-10+50% 47UF	4822 124 20699
C 1434	-20+50% 10NF	4822 122 31414
C 1441	-20+50% 10NF	4822 122 31414
C 1442	-10+50% 68UF	4822 124 20689
C 1443	-20+50% 10NF	4822 122 31414
C 1444	-20+50% 10NF	4822 122 31414
C 1446	-10+50% 68UF	4822 124 20689
C 1447	-20+50% 10NF	4822 122 31414
C 2049	10% 1.5NF	4822 122 31169
C 2050	-20+50% 10NF	4822 122 31414
C 2051	10% 1.5NF	4822 122 31169
C 2149	10% 1.5NF	4822 122 31169
C 2150	-20+50% 10NF	4822 122 31414
C 2151	10% 1.5NF	4822 122 31169
C 2201	-20+50% 10NF	4822 122 31414
C 2203	-20+50% 10NF	4822 122 31414
C 2215	0.25PF 6.8PF	4822 122 31049
C 2216	0.25PF 2.7PF	4822 122 31038
C 2217	-20+50% 10NF	4822 122 31414
C 2218	0.25PF 2.7PF	4822 122 31038
C 2220	0.25PF 5.6PF	5322 122 32163
C 2221	10% 1.5NF	4822 122 31169
C 2222	0.25PF 8.2PF	4822 122 31052
C 2223	10% 1.5NF	4822 122 31169
C 2224	10% 1.5NF	4822 122 31169
C 2225	10% 470PF	4822 122 30034
C 2226	10% 470PF	4822 122 30034
C 2229	10% 470PF	4822 122 30034
C 2230	10% 470PF	4822 122 30034
C 2305	-20+50% 10NF	4822 122 31414
C 2306	10% 1.5NF	4822 122 31169
C 2307	10% 1.5NF	4822 122 31169
C 2317	0.25PF 1.5PF	5322 122 32101
C 2318	10% 470PF	4822 122 30034
C 2321	0.25PF 1.5PF	5322 122 32101
C 2326	-20+50% 10NF	4822 122 31414
C 2327	-20+50% 10NF	4822 122 31414
C 2328	63V 10% 100NF	5322 121 43083
C 2329	63V 10% 100NF	5322 121 43083
C 2331	63V 10% 100NF	5322 121 43083
C 2332	63V 10% 100NF	5322 121 43083
C 2333	63V 10% 100NF	5322 121 43083
C 2335	2% 12PF	4822 122 31056
C 2336	-20+50% 10NF	4822 122 31414
C 2337	-20+50% 10NF	4822 122 31414
C 2338	10% 470PF	4822 122 30034
C 2342	2% 22PF	5322 122 32143
C 2345	0.25PF 01.8PF	5322 122 32162
C 2346	10% 1.5NF	4822 122 31169
C 2348	10% 1.5NF	4822 122 31169
C 2350	0.25PF 2.7PF	4822 122 31038
C 2600	2% 22PF	5322 122 32143
C 2601	63V 10% 100NF	5322 121 43083
C 2602	-20+50% 10NF	4822 122 31414
C 2611	10% 1NF	4822 122 30027
C 2612	-20+50% 10NF	4822 122 31414
C 2613	10% 470PF	4822 122 30034
C 2616	10% 470PF	4822 122 30034
C 2701	-10+50% 100UF	4822 124 20679

POSNR	DESCRIPTION	ORDERING CODE
C 2702	-20+50% 10NF	4822 122 31414
C 2703	-20+50% 10NF	4822 122 31414
C 2704	-20+50% 10NF	4822 122 31414
C 2706	-10+50% 100UF	4822 124 20679
C 2707	-20+50% 10NF	4822 122 31414
C 2708	-20+50% 10NF	4822 122 31414
C 2709	-20+50% 10NF	4822 122 31414
C 2711	-20+50% 10NF	4822 122 31414
C 2716	-10+50% 68UF	4822 124 20689
C 2717	-20+50% 10NF	4822 122 31414
C 2718	-20+50% 10NF	4822 122 31414
C 2722	-20+50% 10NF	4822 122 31414
C 2726	-10+50% 68UF	4822 124 20689
C 2727	-20+50% 10NF	4822 122 31414
C 2728	-20+50% 10NF	4822 122 31414
C 2741	-20+50% 10NF	4822 122 31414
C 2744	-20+50% 10NF	4822 122 31414
C 2746	-20+50% 10NF	4822 122 31414
C 2747	-10+50% 68UF	4822 124 20689
C 2748	-20+50% 10NF	4822 122 31414
C 2751	-10+50% 47UF	4822 124 20699
C 2752	-20+50% 10NF	4822 122 31414
C 2753	-20+50% 10NF	4822 122 31414
C 2754	-20+50% 10NF	4822 122 31414
C 2771	-20+50% 10NF	4822 122 31414
C 2772	-10+50% 150UF	4822 124 20672
C 2773	-20+50% 10NF	4822 122 31414
C 2774	-10+50% 68UF	4822 124 20689
C 2776	-20+50% 10NF	4822 122 31414
C 2777	63V 10% 100NF	5322 121 43083
C 2781	-20+50% 10NF	4822 122 31414
C 3001	-20+50% 10NF	4822 122 31414
C 3002	10% 1.5NF	4822 122 31169
C 3003	10% 1.5NF	4822 122 31169
C 3004	7-10.0 PF MUR	5322 125 11013
C 3005	2-20PF MUR	5322 125 50296
C 3006	0.25PF 5.6PF	5322 122 32163
C 3007	7-10.0 PF MUR	5322 125 11013
C 3009	2% 15PF	4822 122 31823
C 3011	2% 68PF	4822 122 31349
C 3013	0.25PF 2.7PF	4822 122 31038
C 3014	0.25PF 2.7PF	4822 122 31038
C 3016	2-20PF MUR	5322 125 50296
C 3017	-20+50% 10NF	4822 122 31414
C 3018	0.25PF 5.6PF	5322 122 32163
C 3021	-20+50% 10NF	4822 122 31414
C 3022	-20+50% 10NF	4822 122 31414
C 3101	10% 1.5NF	4822 122 31169
C 3102	10% 1.5NF	4822 122 31169
C 3104	100V 10% 47NF	5322 121 43088
C 3105	-20+50% 10NF	4822 122 31414
C 3106	63V 10% 100NF	5322 121 43083
C 3107	0.25PF 2.7PF	4822 122 31038
C 3108	0.25PF 0.82PF	4822 122 31214
C 3109	63V 10% 100NF	5322 121 43083
C 3110	-20+50% 10NF	4822 122 31414
C 3111	-20+50% 10NF	4822 122 31414
C 3113	0.25PF 0.82PF	4822 122 31214
C 3114	100V 10% 47NF	5322 121 43088
C 3116	63V 10% 100NF	5322 121 43083

POSNR	DESCRIPTION	ORDERING CODE
C 3200	0.25PF 0.56PF	5322 122 32107
C 3201	0.25PF 0.56PF	5322 122 32107
C 3202	63V 10% 100NF	5322 121 43083
C 3203	63V 10% 100NF	5322 121 43083
C 3204	-20+50% 10NF	4822 122 31414
C 3206	63V 10% 100NF	5322 121 43083
C 3208	10% 470PF	4822 122 30034
C 3209	-20+50% 2.2NF	5322 122 50093
C 3211	-20+50% 2.2NF	5322 122 50093
C 3250	100V 10% 10NF	5322 121 43086
C 3251	100V 10% 47NF	5322 121 43088
C 3252	-20+50% 2.2NF	5322 122 50093
C 3253	-20+50% 10NF	4822 122 31414
C 3254	-20+50% 10NF	4822 122 31414
C 3256	0.25PF 0.56PF	5322 122 32107
C 3257	-20+50% 10NF	4822 122 31414
C 3258	-20+50% 2.2NF	5322 122 50093
C 3301	-20+50% 10NF	4822 122 31414
C 3302	-20+50% 10NF	4822 122 31414
C 3303	-10+50% 47UF	4822 124 20699
C 3304	-20+50% 10NF	4822 122 31414
C 3306	-20+50% 10NF	4822 122 31414
C 3307	-20+50% 10NF	4822 122 31414
C 3308	-20+50% 10NF	4822 122 31414
C 3309	-20+50% 10NF	4822 122 31414
C 3311	-20+50% 10NF	4822 122 31414
C 3312	-10+50% 47UF	4822 124 20699
C 3313	-20+50% 10NF	4822 122 31414
C 3314	-10+50% 15UF	4822 124 20729
C 3316	-20+50% 10NF	4822 122 31414
C 3317	-20+50% 10NF	4822 122 31414
C 3318	-20+50% 10NF	4822 122 31414
C 3319	-10+50% 15UF	4822 124 20729
C 3321	-20+50% 10NF	4822 122 31414
C 3322	-20+50% 10NF	4822 122 31414
C 3324	-20+50% 10NF	4822 122 31414
C 3326	-20+50% 10NF	4822 122 31414
C 4001	63V 10% 100NF	5322 121 43083
C 4002	-10+50% 47UF	4822 124 20699
C 4003	63V 10% 100NF	5322 121 43083
C 4004	-20+50% 10NF	4822 122 31414
C 4005	-20+50% 10NF	4822 122 31414
C 4006	10% 4.7NF	4822 122 31125
C 4007	10% 4.7NF	4822 122 31125
C 4008	10% 470PF	4822 122 30034
C 4009	0.25PF 3.9PF	5322 122 34107
C 4011	2% 100PF	4822 122 31316
C 4021	-10+50% 47UF	4822 124 20699
C 4022	-20+50% 10NF	4822 122 31414
C 4028	2% 100PF	4822 122 31316
C 4029	2% 100PF	4822 122 31316
C 4101	-20+50% 10NF	4822 122 31414
C 4103	-20+50% 10NF	4822 122 31414
C 4105	63V 10% 100NF	5322 121 43083
C 4106	-10+50% 150UF	4822 124 20672
C 4107	-20+50% 10NF	4822 122 31414
C 4108	2% 100PF	4822 122 31316
C 4109	-20+50% 10NF	4822 122 31414
C 4110	63V 10% 470NF	5322 121 43085
C 4112	-20+50% 10NF	4822 122 31414

POSNR	DESCRIPTION	ORDERING CODE
C 4113	630V 1% 1NF	4822 121 50591
C 4114	100V 10% 10UF	5322 121 41727
C 4116	10% 1.5NF	4822 122 31169
C 4117	2% 100PF	4822 122 31316
C 4118	-20+50% 10NF	4822 122 31414
C 4120	100V 10% 47NF	5322 121 43088
C 4122	63V 10% 100NF	5322 121 43083
C 4123	-10+50% 47UF	4822 124 20699
C 4124	-20+50% 10NF	4822 122 31414
C 4126	-10+50% 47UF	4822 124 20699
C 4301	63V 10% 100NF	5322 121 43083
C 4302	-10+50% 15UF	4822 124 20729
C 4303	100V 10% 10NF	5322 121 43086
C 4304	2% 330PF	4822 122 31353
C 4306	-20+50% 10NF	4822 122 31414
C 4307	-20+50% 10NF	4822 122 31414
C 4311	2% 100PF	4822 122 31316
C 4501	-20+50% 10NF	4822 122 31414
C 4502	-20+50% 10NF	4822 122 31414
C 4503	0.25PF 3.9PF	5322 122 34107
C 4521	63V 10% 100NF	5322 121 43083
C 4601	63V 10% 100NF	5322 121 43083
C 4602	0.25PF 8.2PF	4822 122 31052
C 4603	0.25PF 8.2PF	4822 122 31052
C 4611	-20+50% 10NF	4822 122 31414
C 4612	-20+50% 10NF	4822 122 31414
C 4613	2% 10PF	4822 122 32185
C 4701	10% 1NF	4822 122 30027
C 4702	2% 220PF	4822 122 30094
C 4703	10% 1NF	4822 122 30027
C 4704	-20+50% 10NF	4822 122 31414
C 4801	-20+20% 2200UF	4822 124 21382
C 4804	-10+50% 150UF	4822 124 20672
C 4807	-20+50% 10NF	4822 122 31414
C 4808	-10+50% 68UF	4822 124 20689
C 4811	-20+50% 10NF	4822 122 31414
C 4812	-10+50% 47UF	4822 124 20699
C 4813	-20+50% 10NF	4822 122 31414
C 4819	-20+50% 10NF	4822 122 31414
C 4820	-20+50% 10NF	4822 122 31414
C 4822	-20+50% 10NF	4822 122 31414
C 4825	-20+50% 10NF	4822 122 31414
C 4829	-20+50% 10NF	4822 122 31414
C 4831	-20+50% 10NF	4822 122 31414
C 4832	-10+50% 47UF	4822 124 20699
C 4833	-20+50% 10NF	4822 122 31414
C 4835	-20+50% 10NF	4822 122 31414
C 4836	-20+50% 10NF	4822 122 31414
C 4837	-10+50% 47UF	4822 124 20699
C 4839	2% 12PF	4822 122 31056
C 5001	-20+50% 10NF	4822 122 31414
C 5002	-20+50% 10NF	4822 122 31414
C 5003	-20+50% 10NF	4822 122 31414
C 5004	-20+50% 10NF	4822 122 31414
C 5006	-20+50% 10NF	4822 122 31414
C 6001	250V 10% 220NF	5322 121 44142
C 6002	ME275 20% 1NF	5322 121 42583
C 6003	63V 10% 100NF	5322 121 43083
C 6004	63V 10% 100NF	5322 121 43083
C 6005	-20+50% 1.5NF	5322 122 50092

POSNR	DESCRIPTION	ORDERING CODE
C 6006	ME275 20% 1NF	5322 121 42583
C 6007	-20+20% 68UF	5322 124 21938
C 6008	-20+20% 68UF	5322 124 21938
C 6009	63V 10% 100NF	5322 121 43083
C 6011	-10+50% 33UF	4822 124 20712
C 6012	2% 220PF	4822 122 30094
C 6013	10% 4.7NF	4822 122 31125
C 6014	160V 1% 33NF	5322 121 50997
C 6017	2000V 5% 1.5NF	4822 121 40541
C 6018	10% 4.7NF	4822 122 31125
C 6031	10% 2.2NF	4822 122 30114
C 6032	63V 10% 220NF	5322 121 43084
C 6033	10% 4.7NF	4822 122 31125
C 6041	63V 10% 100NF	5322 121 43083
C 6042	63V 10% 100NF	5322 121 43083
C 6100	-20+20% 6800UF	4822 124 40692
C 6101	-20+20% 6800UF	4822 124 40692
C 6102	-10+50% 680UF	4822 124 20685
C 6103	-10+50% 680UF	4822 124 20685
C 6104	-10+50% 220UF	4822 124 20681
C 6106	-10+50% 470UF	4822 124 20695
C 6107	-10+50% 150UF	4822 124 20691
C 6108	-10+50% 470UF	4822 124 20695
C 6109	-10+50% 150UF	4822 124 20691
C 6111	-10+50% 220UF	4822 124 20704
C 6112	-10+50% 100UF	4822 124 20701
C 6113	-10+50% 100UF	4822 124 20701
C 6114	-10+50% 100UF	4822 124 20701
C 6116	-10+50% 68UF	4822 124 20734
C 6117	-10+50% 22UF	4822 124 20731
C 6119	-10+50% 22UF	4822 124 20731
C 6120	-20+50% 10NF	4822 122 31414
C 6121	-10+50% 22UF	4822 124 20731
C 6122	630V 1% 680PF	5322 121 51214
C 6131	63V 10% 470NF	5322 121 43085
C 6132	-10+50% 100UF	4822 124 20679
C 6133	63V 10% 100NF	5322 121 43083
C 6134	10% 1NF	4822 122 30027
C 6135	-20+50% 10NF	4822 122 31414
C 6201	100V 10% 47NF	5322 121 43088
C 6202	2% 47PF	4822 122 31072
C 6204	63V 10% 100NF	5322 121 43083
C 6206	10% 1NF	4822 122 30027
C 6207	10% 4.7NF	4822 122 31125
C 6208	-10+50% 68UF	4822 124 20734
C 6209	-20+50% 2.2NF	5322 122 50093
C 6211	-20+50% 10NF	5322 122 50091
C 6212	-10+10% 33PF	5322 122 33081
C 6213	10% 4.7NF	4822 122 31125
C 6214	20% 470PF	5322 122 50086
C 6311	-20+50% 10NF	4822 122 31414
C 6401	63V 10% 100NF	5322 121 43083
C 6402	-10+50% 68UF	4822 124 20689
C 6500	-10+50% 68UF	4822 124 20689
C 6501	-20+50% 10NF	4822 122 31414
C 6502	100V 10% 10NF	5322 121 43086
C 6503	2% 100PF	4822 122 31316
C 6506	2% 100PF	4822 122 31316
C 7004	-20+50% 10NF	4822 122 31414
C 7006	-20+50% 10NF	4822 122 31414

POSNR	DESCRIPTION	ORDERING CODE
C 7007	63V 10% 100NF	5322 121 43083
C 7008	10% 680PF	4822 122 30053
C 7009	63V 10% 100NF	5322 121 43083
C 7011	-20+50% 10NF	4822 122 31414
C 7012	-20+50% 10NF	4822 122 31414
C 7013	-20+50% 10NF	4822 122 31414
C 7014	-20+50% 10NF	4822 122 31414
C 7016	-20+50% 10NF	4822 122 31414
C 7017	-20+50% 10NF	4822 122 31414
C 7018	-20+50% 10NF	4822 122 31414
C 7019	-20+50% 10NF	4822 122 31414
C 7101	-20+50% 10NF	4822 122 31414
C 7102	-20+50% 10NF	4822 122 31414
C 7103	-20+50% 10NF	4822 122 31414
C 7104	-10+50% 100UF	4822 124 20679
C 7106	-20+50% 10NF	4822 122 31414
C 7107	-20+50% 10NF	4822 122 31414
C 7108	-20+50% 10NF	4822 122 31414
C 7109	-20+50% 10NF	4822 122 31414
C 7111	-20+50% 10NF	4822 122 31414
C 7112	-20+50% 10NF	4822 122 31414
C 7114	-10+50% 33UF	4822 124 20712
C 7116	-20+50% 10NF	4822 122 31414
C 7117	-20+50% 10NF	4822 122 31414

25.4.2 Resistors

R 0200	MRS25 1% 10K	4822 116 53022
R 0201	MRS25 1% 100K	4822 116 52973
R 0202	MRS25 1% 10K	4822 116 53022
R 0203	MRS25 1% 100K	4822 116 52973
R 0204	MRS25 1% 10K	4822 116 53022
R 0206	MRS25 1% 11K	4822 116 52907
R 0207	MRS25 1% 10K	4822 116 53022
R 0208	MRS25 1% 1K	4822 116 53108
R 0209	MRS25 1% 90K9	5322 116 53582
R 0211	MRS25 1% 1K	4822 116 53108
R 0212	MRS25 1% 46K4	5322 116 53314
R 0213	MRS25 1% 3K16	4822 116 53021
R 0214	MRS25 1% 46K4	5322 116 53314
R 0216	MRS25 1% 2K15	5322 116 53239
R 0217	MRS25 1% 10K	4822 116 53022
R 0218	MRS25 1% 10K	4822 116 53022
R 0219	MRS25 1% 10K	4822 116 53022
R 0221	MRS25 1% 3K16	4822 116 53021
R 0222	MRS25 1% 3K16	4822 116 53021
R 0223	MRS25 1% 3K16	4822 116 53021
R 0224	MRS25 1% 3K16	4822 116 53021
R 0226	MRS25 1% 51E1	5322 116 53213
R 0227	MRS25 1% 51E1	5322 116 53213
R 0228	MRS25 1% 10K	4822 116 53022
R 0229	MRS25 1% 51E1	5322 116 53213
R 0231	MRS25 1% 51E1	5322 116 53213
R 0232	MRS25 1% 10K	4822 116 53022
R 0233	MRS25 1% 3K16	4822 116 53021
R 0251	MRS25 1% 10E	4822 116 52891
R 0301	MRS25 1% 100E	5322 116 53126
R 0302	MRS25 1% 100E	5322 116 53126
R 0303	MRS25 1% 100E	5322 116 53126
R 0304	MRS25 1% 1K33	5322 116 53512

POSNR	DESCRIPTION	ORDERING CODE
R 0306	MRS25 1% 1K33	5322 116 53512
R 0307	MRS25 1% 1K33	5322 116 53512
R 0309	MRS25 1% 10K	4822 116 53022
R 0312	MRS25 1% 2K15	5322 116 53239
R 0313	MRS25 1% 100K	4822 116 52973
R 0401	MRS25 1% 100E	5322 116 53126
R 0402	MRS25 1% 100E	5322 116 53126
R 0403	MRS25 1% 100E	5322 116 53126
R 0404	MRS25 1% 100E	5322 116 53126
R 0406	MRS25 1% 100E	5322 116 53126
R 0407	MRS25 1% 100E	5322 116 53126
R 0408	MRS25 1% 100E	5322 116 53126
R 0409	MRS25 1% 100E	5322 116 53126
R 0411	MRS25 1% 100E	5322 116 53126
R 0412	MRS25 1% 100E	5322 116 53126
R 0413	MRS25 1% 100E	5322 116 53126
R 0414	MRS25 1% 100E	5322 116 53126
R 0416	MRS25 1% 100E	5322 116 53126
R 0417	MRS25 1% 100E	5322 116 53126
R 0418	MRS25 1% 1K33	5322 116 53512
R 0419	MRS25 1% 1K33	5322 116 53512
R 0421	MRS25 1% 1K33	5322 116 53512
R 0422	MRS25 1% 1K33	5322 116 53512
R 0423	MRS25 1% 1K33	5322 116 53512
R 0424	MRS25 1% 1K33	5322 116 53512
R 0426	MRS25 1% 1K33	5322 116 53512
R 0427	MRS25 1% 100E	5322 116 53126
R 0501	MRS25 1% 909E	4822 116 53533
R 0502	MRS25 1% 909E	4822 116 53533
R 0503	MRS25 1% 511E	5322 116 53135
R 0504	MRS25 1% 511E	5322 116 53135
R 0506	MRS25 1% 750E	5322 116 53265
R 0507	MRS25 1% 1K62	5322 116 53257
R 0508	MRS25 1% 909E	4822 116 53533
R 0509	MRS25 1% 909E	4822 116 53533
R 0510	MRS25 1% 511E	5322 116 53135
R 0511	MRS25 1% 511E	5322 116 53135
R 0512	MRS25 1% 750E	5322 116 53265
R 0513	MRS25 1% 1K	4822 116 53108
R 0514	MRS25 1% 1K96	5322 116 53237
R 0515	MRS25 1% 2K37	5322 116 53536
R 0516	MRS25 1% 5K11	5322 116 53494
R 0517	MRS25 1% 10E	4822 116 52891
R 0518	MRS25 1% 10E	4822 116 52891
R 0519	MRS25 1% 10E	4822 116 52891
R 0521	MRS25 1% 287E	5322 116 53221
R 0522	MRS25 1% 1K	4822 116 53108
R 0523	MRS25 1% 10K	4822 116 53022
R 0524	MRS25 1% 1K	4822 116 53108
R 0525	MRS25 1% 1K	4822 116 53108
R 0526	MRS25 1% 10K	4822 116 53022
R 0527	MRS25 1% 1K	4822 116 53108
R 0528	MRS25 1% 287E	5322 116 53221
R 0531	MRS25 1% 2K15	5322 116 53239
R 0532	MRS25 1% 10E	4822 116 52891
R 0533	MRS25 1% 10E	4822 116 52891
R 0534	MRS25 1% 42E2	5322 116 53515
R 0536	MRS25 1% 42E2	5322 116 53592
R 0537	MRS25 1% 42E2	5322 116 53515
R 0538	MRS25 1% 51E1	5322 116 53213

POSNR	DESCRIPTION	ORDERING CODE
R 0539	MRS25 1% 422E	5322 116 53592
R 0541	MRS25 1% 10K	4822 116 53022
R 0543	MRS25 1% 316K	4822 116 53058
R 0545	MRS25 1% 2K87	5322 116 53513
R 0546	MRS25 1% 2K87	5322 116 53513
R 0548	MRS25 1% 10E	4822 116 52891
R 0549	MRS25 1% 10K	4822 116 53022
R 0551	MRS25 1% 10K	4822 116 53022
R 0554	MRS25 1% 100E	5322 116 53126
R 0555	MRS25 1% 31K6	5322 116 53262
R 0556	MRS25 1% 12K1	4822 116 52957
R 0557	MRS25 1% 1K1	5322 116 53473
R 0558	MRS25 1% 10K	4822 116 53022
R 0559	MRS25 1% 31K6	5322 116 53262
R 0560	MRS25 1% 100E	5322 116 53126
R 0561	MRS25 1% 10K	4822 116 53022
R 0562	MRS25 1% 10K	4822 116 53022
R 0563	MRS25 1% 31K6	5322 116 53262
R 0564	MRS25 1% 2K15	5322 116 53239
R 0565	MRS25 1% 5K11	5322 116 53494
R 0566	MRS25 1% 1K	4822 116 53108
R 0568	MRS25 1% 4K64	5322 116 53212
R 0569	MRS25 1% 42E2	5322 116 53515
R 0570	MRS25 1% 19K6	5322 116 53258
R 0571	MRS25 1% 3K83	4822 116 53079
R 0572	MRS25 1% 8K25	5322 116 53267
R 0573	MRS25 1% 3K48	4822 116 53315
R 0574	MRS25 1% 1K78	5322 116 53208
R 0575	MRS25 1% 10K	4822 116 53022
R 0576	MRS25 1% 5K11	5322 116 53494
R 0577	MRS25 1% 5K11	5322 116 53494
R 0578	MRS25 1% 10K	4822 116 53022
R 0579	MRS25 1% 10E	4822 116 52891
R 0580	MRS25 1% 19K6	5322 116 53258
R 0581	MRS25 1% 10E	4822 116 52891
R 0582	MRS25 1% 1K21	4822 116 52956
R 0583	MRS25 1% 10E	4822 116 52891
R 0584	MRS25 1% 100E	5322 116 53126
R 0585	MRS25 1% 10K	4822 116 53022
R 0586	MRS25 1% 10K	4822 116 53022
R 0587	MRS25 1% 26K1	5322 116 53261
R 0588	MRS25 1% 7K5	4822 116 53028
R 0589	MRS25 1% 15K4	5322 116 53234
R 0591	MRS25 1% 46K4	5322 116 53314
R 0592	MRS25 1% 46K4	5322 116 53314
R 0593	MRS25 1% 5K11	5322 116 53494
R 0594	MRS25 1% 3K16	4822 116 53021
R 0595	MRS25 1% 10E	4822 116 52891
R 0596	MRS25 1% 10K	4822 116 53022
R 0598	MRS25 1% 51E1	5322 116 53213
R 0599	MRS25 1% 511E	5322 116 53135
R 0600	MRS25 1% 100K	4822 116 52973
R 0601	MRS25 1% 10K	4822 116 53022
R 0602	MRS25 1% 5K62	5322 116 53495
R 0602	MRS25 1% 11K	4822 116 52907
R 0603	MRS25 1% 10K	4822 116 53022
R 0603	MRS25 1% 261E	5322 116 53549
R 0604	MRS25 1% 10K	4822 116 53022
R 0604	MRS25 1% 10K	4822 116 53022
R 0605	MRS25 1% 100K	4822 116 52973

POSNR	DESCRIPTION	ORDERING CODE
R 0605	MRS25 1% 11K	4822 116 52907
R 0606	MRS25 1% 16K2	5322 116 53589
R 0607	MRS25 1% 2K15	5322 116 53239
R 0607	MRS25 1% 511E	5322 116 53135
R 0608	MRS25 1% 2K15	5322 116 53239
R 0608	MRS25 1% 511E	5322 116 53135
R 0609	MRS25 1% 2K15	5322 116 53239
R 0609	MRS25 1% 511E	5322 116 53135
R 0610	MRS25 1% 10K	4822 116 53022
R 0611	MRS25 1% 2K15	5322 116 53239
R 0611	MRS25 1% 511E	5322 116 53135
R 0612	MRS25 1% 422E	5322 116 53592
R 0612	MRS25 1% 2K15	5322 116 53239
R 0613	MRS25 1% 422E	5322 116 53592
R 0613	MRS25 1% 7K5	4822 116 53028
R 0614	MRS25 1% 10K	4822 116 53022
R 0614	MRS25 1% 10K	4822 116 53022
R 0615	MRS25 1% 1K47	5322 116 53185
R 0616	MRS25 1% 75E	5322 116 53339
R 0616	MRS25 1% 12K1	4822 116 52957
R 0617	MRS25 1% 75E	5322 116 53339
R 0618	MRS25 1% 10K	4822 116 53022
R 0619	MRS25 1% 2K15	5322 116 53239
R 0621	MRS25 1% 51E1	5322 116 53213
R 0621	MRS25 1% 5E11	4822 116 52999
R 0622	MRS25 1% 1K62	5322 116 53257
R 0622	MRS25 1% 5E11	4822 116 52999
R 0623	MRS25 1% 1K62	5322 116 53257
R 0624	MRS25 1% 178K	5322 116 53555
R 0624	MRS25 1% 5E11	4822 116 52999
R 0626	MRS25 1% 26K1	5322 116 53261
R 0627	MRS25 1% 17K8	5322 116 53235
R 0627	MRS25 1% 5E11	4822 116 52999
R 0628	MRS25 1% 1M	4822 116 52843
R 0628	MRS25 1% 5E11	4822 116 52999
R 0629	MRS25 1% 2K15	5322 116 53239
R 0629	MRS25 1% 5E11	4822 116 52999
R 0631	MRS25 1% 12K1	4822 116 52957
R 0633	MRS25 1% 1M	4822 116 52843
R 0634	MRS25 1% 2K15	5322 116 53239
R 0636	MRS25 1% 51K1	4822 116 53121
R 0637	MRS25 1% 16K2	5322 116 53589
R 0638	MRS25 1% 511E	5322 116 53135
R 0639	MRS25 1% 511E	5322 116 53135
R 0641	MRS25 1% 12K1	4822 116 52957
R 0642	MRS25 1% 422E	5322 116 53592
R 0643	MRS25 1% 422E	5322 116 53592
R 0644	MRS25 1% 16K2	5322 116 53589
R 0646	MRS25 1% 5K62	5322 116 53495
R 0647	MRS25 1% 1K78	5322 116 53208
R 0648	MRS25 1% 6K81	5322 116 53252
R 0649	MRS25 1% 51K1	4822 116 53121
R 0651	MRS25 1% 16K2	5322 116 53589
R 0652	MRS25 1% 511E	5322 116 53135
R 0653	MRS25 1% 511E	5322 116 53135
R 0654	MRS25 1% 422E	5322 116 53592
R 0656	MRS25 1% 422E	5322 116 53592
R 0657	MRS25 1% 16K2	5322 116 53589
R 0658	MRS25 1% 51K1	4822 116 53121
R 0659	MRS25 1% 5K62	5322 116 53495

POSNR	DESCRIPTION	ORDERING CODE
R 0661	MRS25 1% 1K78	5322 116 53208
R 0662	MRS25 1% 6K81	5322 116 53252
R 0663	MRS25 1% 51K1	4822 116 53121
R 0666	MRS25 1% 51E1	5322 116 53213
R 0669	MRS25 1% 1K62	5322 116 53257
R 0671	MRS25 1% 1K62	5322 116 53257
R 0681	MRS25 1% 5E11	4822 116 52999
R 0682	MRS25 1% 5E11	4822 116 52999
R 0701	MCR18 1% 4K7	5322 111 90111
R 0702	MCR18 1% 47E	4822 111 90217
R 0703	MCR18 1% 100E	5322 111 91134
R 0704	MCR18 1% 10K	4822 111 90249
R 0706	MCR18 1% 180E	5322 111 90242
R 0707	MCR18 1% 47E	4822 111 90217
R 0708	MCR18 1% 4K7	5322 111 90111
R 0709	MCR18 1% 330E	5322 111 90106
R 0711	MCR18 1% 470E	5322 111 90109
R 0712	MCR18 1% 3K3	4822 111 90157
R 0713	MCR18 1% 470E	5322 111 90109
R 0714	MCR18 1% 330E	5322 111 90106
R 0715	MCR18 1% 100E	5322 111 91134
R 0716	MCR18 1% 750E	5322 111 91539
R 0717	MCR18 1% 10K	4822 111 90249
R 0718	MCR18 1% 10K	4822 111 90249
R 0719	MCR18 1% 750E	5322 111 91539
R 0720	MCR18 1% 220E	4822 111 90178
R 0721	MCR18 1% 10K	4822 111 90249
R 0722	MCR18 1% 3K9	5322 111 91135
R 0723	MCR18 1% 15K	4822 111 90196
R 0724	MCR18 1% 10K	4822 111 90249
R 0725	MCR18 1% 1K	5322 111 90092
R 0726	MCR18 1% 22K	5322 111 91349
R 0727	MCR18 1% 27K	4822 111 90542
R 0728	MCR18 1% 10K	4822 111 90249
R 0729	MCR18 1% 22K	5322 111 91349
R 0731	MCR18 1% 6K8	4822 111 90544
R 0732	MCR18 1% 27K	4822 111 90542
R 0733	MCR18 1% 100E	5322 111 91134
R 0734	MCR18 1% 1K2	5322 111 90096
R 0735	MCR18 1% 100E	5322 111 91134
R 0736	MCR18 1% 1K	5322 111 90092
R 0737	MCR18 1% 3K9	5322 111 91135
R 0738	MCR18 1% 15K	4822 111 90196
R 0739	MCR18 1% 27K	4822 111 90542
R 0741	MCR18 1% 3K3	4822 111 90157
R 0742	MCR18 1% 15K	4822 111 90196
R 0743	MCR18 1% 1K	5322 111 90092
R 0744	MCR18 1% 3K9	5322 111 91135
R 0746	MCR18 1% 10K	4822 111 90249
R 0747	MCR18 1% 270E	4822 111 90154
R 0748	MCR18 1% 270E	4822 111 90154
R 0749	MCR18 1% 330E	5322 111 90106
R 0751	MCR18 1% 10K	4822 111 90249
R 0752	MCR18 1% 68K	4822 111 90202
R 0753	MCR18 1% 4K7	5322 111 90111
R 0754	MCR18 1% 10K	4822 111 90249
R 0755	MCR18 1% 3K3	4822 111 90157
R 0756	MCR18 1% 10K	4822 111 90249
R 0760	MCR18 1% 1K	5322 111 90092
R 0761	MCR18 1% 6K8	4822 111 90544

POSNR	DESCRIPTION	ORDERING CODE
R 0762	MCR18 1% 27K	4822 111 90542
R 0763	MCR18 1% 100E	5322 111 91134
R 0764	MCR18 1% 1K2	5322 111 90096
R 0765	MCR18 1% 1K	5322 111 90092
R 0766	MCR18 1% 100E	5322 111 91134
R 0767	MCR18 1% 3K9	5322 111 91135
R 0768	MCR18 1% 15K	4822 111 90196
R 0769	MCR18 1% 27K	4822 111 90542
R 0770	MCR18 1% 1K	5322 111 90092
R 0771	MCR18 1% 3K3	4822 111 90157
R 0772	MCR18 1% 15K	4822 111 90196
R 0773	MCR18 1% 1K	5322 111 90092
R 0774	MCR18 1% 3K9	5322 111 91135
R 0776	MCR18 1% 10K	4822 111 90249
R 0777	MCR18 1% 270E	4822 111 90154
R 0778	MCR18 1% 270E	4822 111 90154
R 0779	MCR18 1% 330E	5322 111 90106
R 0781	MCR18 1% 10K	4822 111 90249
R 0782	MCR18 1% 68K	4822 111 90202
R 0783	MCR18 1% 4K7	5322 111 90111
R 0784	MCR18 1% 10K	4822 111 90249
R 0785	MCR18 1% 3K3	4822 111 90157
R 0786	MCR18 1% 10K	4822 111 90249
R 0791	MCR18 1% 10E	5322 111 90095
R 0792	MCR18 1% 10E	5322 111 90095
R 0793	MCR18 1% 10E	5322 111 90095
R 0794	MCR18 1% 10E	5322 111 90095
R 0801	MRS25 1% 10E	4822 116 52891
R 0802	MRS25 1% 100E	5322 116 53126
R 0804	MRS25 1% 348E	5322 116 53591
R 0805	MRS25 1% 348E	5322 116 53591
R 0806	MRS25 1% 10E	4822 116 52891
R 0807	MRS25 1% 100E	5322 116 53126
R 0809	MRS25 1% 348E	5322 116 53591
R 0810	MRS25 1% 215E	5322 116 53325
R 0811	MRS25 1% 348E	5322 116 53591
R 0812	MRS25 1% 1K	4822 116 53108
R 0813	MRS25 1% 2K61	5322 116 53327
R 0814	MRS25 1% 100E	5322 116 53126
R 0815	MRS25 1% 237E	5322 116 53259
R 0816	MRS25 1% 10E	4822 116 52891
R 0817	MRS25 1% 100E	5322 116 53126
R 0819	MRS25 1% 162E	5322 116 53523
R 0821	MRS25 1% 162E	5322 116 53523
R 0822	MRS25 1% 10E	4822 116 52891
R 0823	MRS25 1% 100E	5322 116 53126
R 0825	MRS25 1% 162E	5322 116 53523
R 0826	MRS25 1% 162E	5322 116 53523
R 0827	MRS25 1% 100E	5322 116 53126
R 0828	MRS25 1% 215E	5322 116 53325
R 0829	MRS25 1% 215E	5322 116 53325
R 0831	MRS25 1% 10E	4822 116 52891
R 0832	MRS25 1% 100E	5322 116 53126
R 0834	MRS25 1% 348E	5322 116 53591
R 0835	MRS25 1% 348E	5322 116 53591
R 0836	MRS25 1% 10E	4822 116 52891
R 0837	MRS25 1% 100E	5322 116 53126
R 0839	MRS25 1% 348E	5322 116 53591
R 0840	MRS25 1% 215E	5322 116 53325
R 0841	MRS25 1% 348E	5322 116 53591

POSNR	DESCRIPTION	ORDERING CODE
R 0842	MRS25 1% 1K	4822 116 53108
R 0843	MRS25 1% 2K61	5322 116 53327
R 0844	MRS25 1% 100E	5322 116 53126
R 0845	MRS25 1% 237E	5322 116 53259
R 0846	MRS25 1% 10E	4822 116 52891
R 0847	MRS25 1% 100E	5322 116 53126
R 0849	MRS25 1% 162E	5322 116 53523
R 0851	MRS25 1% 162E	5322 116 53523
R 0852	MRS25 1% 10E	4822 116 52891
R 0853	MRS25 1% 100E	5322 116 53126
R 0855	MRS25 1% 162E	5322 116 53523
R 0856	MRS25 1% 162E	5322 116 53523
R 0857	MRS25 1% 100E	5322 116 53126
R 0858	MRS25 1% 215E	5322 116 53325
R 0859	MRS25 1% 215E	5322 116 53325
R 0861	MRS25 1% 5E11	4822 116 52999
R 0862	MRS25 1% 2K15	5322 116 53239
R 0863	MRS25 1% 1K	4822 116 53108
R 0864	MRS25 1% 422E	5322 116 53592
R 0865	MRS25 1% 1K	4822 116 53108
R 0866	MRS25 1% 51E1	5322 116 53213
R 0867	MRS25 1% 511E	5322 116 53135
R 0868	MRS25 1% 237E	5322 116 53259
R 0869	MRS25 1% 51E1	5322 116 53213
R 0871	MRS25 1% 681E	4822 116 53123
R 0872	MRS25 1% 5E11	4822 116 52999
R 0873	MRS25 1% 2K15	5322 116 53239
R 0874	MRS25 1% 1K	4822 116 53108
R 0875	MRS25 1% 1K	4822 116 53108
R 0876	MRS25 1% 2K15	5322 116 53239
R 0877	MRS25 1% 2K15	5322 116 53239
R 0878	MRS25 1% 2K15	5322 116 53239
R 0879	MRS25 1% 2K15	5322 116 53239
R 0881	MRS25 1% 1K	4822 116 53108
R 0882	MRS25 1% 100E	5322 116 53126
R 0883	MRS25 1% 100E	5322 116 53126
R 0884	MRS25 1% 100E	5322 116 53126
R 0885	MRS25 1% 1K	4822 116 53108
R 0886	MRS25 1% 100E	5322 116 53126
R 0887	MRS25 1% 2K61	5322 116 53327
R 0888	MRS25 1% 10K	4822 116 53022
R 0889	MRS25 1% 121E	4822 116 52955
R 0890	MRS25 1% 316E	5322 116 53514
R 0891	MRS25 1% 5K11	5322 116 53494
R 0892	0.3W 25% 10K	4822 105 10455
R 0893	MRS25 1% 5K11	5322 116 53494
R 0894	0.3W 25% 10K	4822 105 10455
R 0895	MRS25 1% 17K8	5322 116 53235
R 0896	0.3W 25% 10K	4822 105 10455
R 0897	MRS25 1% 14K7	4822 116 53531
R 0898	MRS25 1% 14K7	4822 116 53531
R 0901	MRS25 1% 6K81	5322 116 53252
R 0902	0.3W 25% 10K	4822 105 10455
R 0903	MRS25 1% 1K	4822 116 53108
R 0904	MRS25 1% 4K22	5322 116 53246
R 0905	MRS25 1% 4K22	5322 116 53246
R 0906	MRS25 1% 4K22	5322 116 53246
R 0908	MRS25 1% 1K	4822 116 53108
R 0909	MRS25 1% 4K22	5322 116 53246
R 0911	MRS25 1% 9K09	5322 116 53253

POSNR	DESCRIPTION	ORDERING CODE
R 0913	MRS25 1% 1K	4822 116 53108
R 0914	MRS25 1% 4K22	5322 116 53246
R 0915	MRS25 1% 4K22	5322 116 53246
R 0916	MRS25 1% 6K81	5322 116 53252
R 0917	0.3W 25% 4K7	5322 105 20034
R 0918	MRS25 1% 1K	4822 116 53108
R 0919	MRS25 1% 4K22	5322 116 53246
R 0921	MRS25 1% 4K22	5322 116 53246
R 0922	MRS25 1% 4K22	5322 116 53246
R 0924	MRS25 1% 5K11	5322 116 53494
R 0925	MRS25 1% 5K11	5322 116 53494
R 0926	MRS25 1% 2K87	5322 116 53513
R 0927	MRS25 1% 100E	5322 116 53126
R 0929	0.3W 25% 4K7	5322 105 20034
R 0931	MRS25 1% 1K47	5322 116 53185
R 0932	0.3W 25% 4K7	5322 105 20034
R 0933	MRS25 1% 17K8	5322 116 53235
R 0934	MRS25 1% 5K11	5322 116 53494
R 0935	MRS25 1% 5K11	5322 116 53494
R 0936	MRS25 1% 5K11	5322 116 53494
R 0937	MRS25 1% 100E	5322 116 53126
R 0939	0.3W 25% 4K7	5322 105 20034
R 0941	MRS25 1% 1K47	5322 116 53185
R 0942	0.3W 25% 4K7	5322 105 20034
R 0944	MRS25 1% 5K11	5322 116 53494
R 0945	MRS25 1% 5K11	5322 116 53494
R 0946	MRS25 1% 2K87	5322 116 53513
R 0947	MRS25 1% 100E	5322 116 53126
R 0953	MRS25 1% 1K78	5322 116 53208
R 0954	MRS25 1% 5K11	5322 116 53494
R 0955	MRS25 1% 5K11	5322 116 53494
R 0956	MRS25 1% 5K11	5322 116 53494
R 0957	MRS25 1% 100E	5322 116 53126
R 0958	MRS25 1% 4K64	5322 116 53212
R 0961	MRS25 1% 121E	4822 116 52955
R 0962	MRS25 1% 75E	5322 116 53339
R 0965	MRS25 1% 10K	4822 116 53022
R 0966	0.3W 25% 10K	4822 105 10455
R 0967	MRS25 1% 10K	4822 116 53022
R 0968	MRS25 1% 100E	5322 116 53126
R 0969	MRS25 1% 10K	4822 116 53022
R 0970	0.3W 25% 10K	4822 105 10455
R 0971	MRS25 1% 10K	4822 116 53022
R 0972	MRS25 1% 100E	5322 116 53126
R 0973	MRS25 1% 10K	4822 116 53022
R 0974	0.3W 25% 10K	4822 105 10455
R 0975	MRS25 1% 10K	4822 116 53022
R 0976	MRS25 1% 10K	4822 116 53022
R 0977	0.3W 25% 10K	4822 105 10455
R 0978	MRS25 1% 10K	4822 116 53022
R 0981	MRS25 1% 17K8	5322 116 53235
R 0983	MRS25 1% 5E11	4822 116 52999
R 0984	MRS25 1% 5E11	4822 116 52999
R 0985	MRS25 1% 5E11	4822 116 52999
R 0986	MRS25 1% 5E11	4822 116 52999
R 0987	MRS25 1% 10K	4822 116 53022
R 0988	MRS25 1% 14K7	4822 116 53531
R 0989	MRS25 1% 10K	4822 116 53022
R 0991	MRS25 1% 14K7	4822 116 53531
R 0992	MRS25 1% 1K	4822 116 53108

POSNR	DESCRIPTION	ORDERING CODE
R 0993	MRS25 1% 1K	4822 116 53108
R 0996	MRS25 1% 1E	4822 116 52976
R 0997	MRS25 1% 1E	4822 116 52976
R 1001	MRS25 1% 1K	4822 116 53108
R 1002	MRS25 1% 42E2	5322 116 53515
R 1003	MRS25 1% 61E9	5322 116 53645
R 1004	0.25% 10K1	5322 116 53404
R 1006	MRS25 1% 61E9	5322 116 53645
R 1007	0.25% 900K	5322 116 53414
R 1008	MRS25 1% 10K	4822 116 53022
R 1009	MRS25 1% 21K5	5322 116 53241
R 1011	0.25% 111K	5322 116 53409
R 1012	0.25% 750K	5322 116 53588
R 1013	0.25% 1M	5322 116 53398
R 1014	MRS25 1% 10K	4822 116 53022
R 1016	MRS25 1% 21K5	5322 116 53241
R 1017	0.25% 250K	5322 116 53587
R 1018	MRS25 1% 10E	4822 116 52891
R 1019	0.25% 990K	5322 116 53415
R 1022	MRS25 1% 61E9	5322 116 53645
R 1023	VR25 10% 22M	5322 116 51785
R 1024	MRS25 1% 10E	4822 116 52891
R 1026	MRS25 1% 51E1	5322 116 53213
R 1027	VR25 10% 22M	5322 116 51785
R 1028	MRS25 1% 10E	4822 116 52891
R 1029	0.25% 1M	5322 116 53398
R 1031	VR25 10% 22M	5322 116 51785
R 1032	MRS25 1% 10E	4822 116 52891
R 1033	VR25 10% 22M	5322 116 51785
R 1034	MRS25 1% 1M	4822 116 52843
R 1035	MRS25 1% 100E	5322 116 53126
R 1036	0.3W 25% 22K	5322 105 20035
R 1037	MRS25 1% 100K	4822 116 52973
R 1038	VR25 10% 22M	5322 116 51785
R 1039	MRS25 1% 1K96	5322 116 53237
R 1040	MRS25 1% 287E	5322 116 53221
R 1041	MRS25 1% 1K96	5322 116 53237
R 1043	MRS25 1% 100E	5322 116 53126
R 1044	MRS25 1% 825E	5322 116 53541
R 1045	MRS25 1% 100E	5322 116 53126
R 1046	MRS25 1% 511E	5322 116 53135
R 1047	MRS25 1% 2K15	5322 116 53239
R 1048	MRS25 1% 5K11	5322 116 53494
R 1049	MRS25 1% 1K47	5322 116 53185
R 1050	MRS25 1% 100E	5322 116 53126
R 1051	MRS25 1% 681E	4822 116 53123
R 1052	MRS25 1% 1K78	5322 116 53208
R 1053	0.25% 250E	5322 116 53406
R 1054	MRS25 1% 100E	5322 116 53126
R 1055	MRS25 1% 1K78	5322 116 53208
R 1056	0.25% 375E	5322 116 53407
R 1057	0.25% 150E	5322 116 53399
R 1058	0.25% 150E	5322 116 53399
R 1061	MRS25 1% 237E	5322 116 53259
R 1062	MRS25 1% 133E	5322 116 53424
R 1063	MRS25 1% 26K1	5322 116 53261
R 1064	0.3W 25% 10K	4822 105 10455
R 1066	MRS25 1% 16K2	5322 116 53589
R 1067	MRS25 1% 12K1	4822 116 52957
R 1068	MRS25 1% 133E	5322 116 53424

POSNR	DESCRIPTION	ORDERING CODE
R 1069	0.3W 25% 100E	5322 105 20029
R 1071	MRS25 1% 26K1	5322 116 53261
R 1072	0.3W 25% 10K	4822 105 10455
R 1073	MRS25 1% 4K64	5322 116 53212
R 1074	MRS25 1% 5K62	5322 116 53495
R 1076	0.3W 25% 100E	5322 105 20029
R 1077	MRS25 1% 31E6	5322 116 54964
R 1078	MRS25 1% 12K1	4822 116 52957
R 1079	MRS25 1% 1K62	5322 116 53257
R 1081	MRS25 1% 511E	5322 116 53135
R 1082	MRS25 1% 100K	4822 116 52973
R 1083	MRS25 1% 11K	4822 116 52907
R 1084	MRS25 1% 82K5	5322 116 53581
R 1086	MRS25 1% 12K1	4822 116 52957
R 1087	MRS25 1% 1M	4822 116 52843
R 1088	MRS25 1% 100E	5322 116 53126
R 1089	MRS25 1% 422E	5322 116 53592
R 1091	0.3W 25% 100E	5322 105 20029
R 1092	MRS25 1% 10E	4822 116 52891
R 1093	MRS25 1% 422E	5322 116 53592
R 1094	MRS25 1% 100E	5322 116 53126
R 1096	MRS25 1% 100E	5322 116 53126
R 1097	MRS25 1% 100E	5322 116 53126
R 1098	MRS25 1% 1K21	4822 116 52956
R 1099	MRS25 1% 1K21	4822 116 52956
R 1101	MRS25 1% 1K	4822 116 53108
R 1102	MRS25 1% 42E2	5322 116 53515
R 1103	MRS25 1% 61E9	5322 116 53645
R 1104	0.25% 10K1	5322 116 53404
R 1106	MRS25 1% 61E9	5322 116 53645
R 1107	0.25% 900K	5322 116 53414
R 1108	MRS25 1% 10K	4822 116 53022
R 1109	MRS25 1% 21K5	5322 116 53241
R 1111	0.25% 111K	5322 116 53409
R 1112	0.25% 750K	5322 116 53588
R 1113	0.25% 1M	5322 116 53398
R 1114	MRS25 1% 10K	4822 116 53022
R 1116	MRS25 1% 21K5	5322 116 53241
R 1117	0.25% 250K	5322 116 53587
R 1118	MRS25 1% 10E	4822 116 52891
R 1119	0.25% 990K	5322 116 53415
R 1122	MRS25 1% 61E9	5322 116 53645
R 1123	VR25 10% 22M	5322 116 51785
R 1124	MRS25 1% 10E	4822 116 52891
R 1126	MRS25 1% 51E1	5322 116 53213
R 1127	VR25 10% 22M	5322 116 51785
R 1128	MRS25 1% 10E	4822 116 52891
R 1129	0.25% 1M	5322 116 53398
R 1131	VR25 10% 22M	5322 116 51785
R 1132	MRS25 1% 10E	4822 116 52891
R 1133	VR25 10% 22M	5322 116 51785
R 1134	MRS25 1% 1M	4822 116 52843
R 1135	MRS25 1% 100E	5322 116 53126
R 1136	0.3W 25% 22K	5322 105 20035
R 1137	MRS25 1% 100K	4822 116 52973
R 1138	VR25 10% 22M	5322 116 51785
R 1139	MRS25 1% 1K96	5322 116 53237
R 1140	MRS25 1% 287E	5322 116 53221
R 1141	MRS25 1% 1K96	5322 116 53237
R 1143	MRS25 1% 100E	5322 116 53126

POSNR	DESCRIPTION	ORDERING CODE
R 1144	MRS25 1% 825E	5322 116 53541
R 1145	MRS25 1% 100E	5322 116 53126
R 1146	MRS25 1% 511E	5322 116 53135
R 1147	MRS25 1% 2K15	5322 116 53239
R 1148	MRS25 1% 5K11	5322 116 53494
R 1149	MRS25 1% 1K47	5322 116 53185
R 1150	MRS25 1% 100E	5322 116 53126
R 1151	MRS25 1% 681E	4822 116 53123
R 1152	MRS25 1% 1K78	5322 116 53208
R 1153	0.25% 250E	5322 116 53406
R 1154	MRS25 1% 100E	5322 116 53126
R 1155	MRS25 1% 1K78	5322 116 53208
R 1156	0.25% 375E	5322 116 53407
R 1157	0.25% 150E	5322 116 53399
R 1158	0.25% 150E	5322 116 53399
R 1161	MRS25 1% 237E	5322 116 53259
R 1162	MRS25 1% 133E	5322 116 53424
R 1163	MRS25 1% 26K1	5322 116 53261
R 1164	0.3W 25% 10K	4822 105 10455
R 1166	MRS25 1% 16K2	5322 116 53589
R 1167	MRS25 1% 12K1	4822 116 52957
R 1168	MRS25 1% 133E	5322 116 53424
R 1169	0.3W 25% 100E	5322 105 20029
R 1171	MRS25 1% 26K1	5322 116 53261
R 1172	0.3W 25% 10K	4822 105 10455
R 1173	MRS25 1% 4K64	5322 116 53212
R 1174	MRS25 1% 5K62	5322 116 53495
R 1176	0.3W 25% 100E	5322 105 20029
R 1177	MRS25 1% 31E6	5322 116 54964
R 1178	MRS25 1% 12K1	4822 116 52957
R 1179	MRS25 1% 1K62	5322 116 53257
R 1181	MRS25 1% 511E	5322 116 53135
R 1182	MRS25 1% 100K	4822 116 52973
R 1183	MRS25 1% 11K	4822 116 52907
R 1184	MRS25 1% 82K5	5322 116 53581
R 1186	MRS25 1% 12K1	4822 116 52957
R 1187	MRS25 1% 1M	4822 116 52843
R 1188	MRS25 1% 100E	5322 116 53126
R 1189	MRS25 1% 422E	5322 116 53592
R 1191	0.3W 25% 100E	5322 105 20029
R 1192	MRS25 1% 10E	4822 116 52891
R 1193	MRS25 1% 422E	5322 116 53592
R 1194	MRS25 1% 100E	5322 116 53126
R 1196	MRS25 1% 100E	5322 116 53126
R 1197	MRS25 1% 100E	5322 116 53126
R 1198	MRS25 1% 1K21	4822 116 52956
R 1199	MRS25 1% 1K21	4822 116 52956
R 1201	MRS25 1% 1K	4822 116 53108
R 1202	MRS25 1% 61E9	5322 116 53645
R 1203	0.1% 1M	5322 116 51605
R 1204	VR25 10% 22M	5322 116 51785
R 1206	MRS25 1% 1K96	5322 116 53237
R 1207	MRS25 1% 100E	5322 116 53126
R 1208	MRS25 1% 825E	5322 116 53541
R 1209	MRS25 1% 1M	4822 116 52843
R 1211	MRS25 1% 100E	5322 116 53126
R 1213	MRS25 1% 1M	4822 116 52843
R 1217	0.3W 25% 22K	5322 105 20035
R 1218	MRS25 1% 100K	4822 116 52973
R 1219	MRS25 1% 1K47	5322 116 53185

POSNR	DESCRIPTION	ORDERING CODE
R 1221	MRS25 1% 681E	4822 116 53123
R 1222	MRS25 1% 2K87	5322 116 53513
R 1223	MRS25 1% 1K33	5322 116 53512
R 1224	MRS25 1% 1K	4822 116 53108
R 1226	MRS25 1% 5K11	5322 116 53494
R 1227	MRS25 1% 1K33	5322 116 53512
R 1228	MRS25 1% 100E	5322 116 53126
R 1229	MRS25 1% 750E	5322 116 53265
R 1231	MRS25 1% 750E	5322 116 53265
R 1232	MRS25 1% 1E	4822 116 52976
R 1233	MRS25 1% 348E	5322 116 53591
R 1234	MRS25 1% 100E	5322 116 53126
R 1236	MRS25 1% 162E	5322 116 53523
R 1237	MRS25 1% 2K61	5322 116 53327
R 1238	MRS25 1% 100E	5322 116 53126
R 1239	MRS25 1% 7K5	4822 116 53028
R 1401	MRS25 1% 5E11	4822 116 52999
R 1402	MRS25 1% 5E11	4822 116 52999
R 1403	MRS25 1% 5E11	4822 116 52999
R 1404	MRS25 1% 5E11	4822 116 52999
R 1421	MRS25 1% 5E11	4822 116 52999
R 1422	MRS25 1% 5E11	4822 116 52999
R 1423	MRS25 1% 5E11	4822 116 52999
R 1424	MRS25 1% 5E11	4822 116 52999
R 1441	MRS25 1% 100E	5322 116 53126
R 1442	MRS25 1% 5E11	4822 116 52999
R 1443	MRS25 1% 5E11	4822 116 52999
R 2001	MRS25 1% 10E	4822 116 52891
R 2002	MRS25 1% 10E	4822 116 52891
R 2003	MRS25 1% 51E1	5322 116 53213
R 2004	MRS25 1% 51E1	5322 116 53213
R 2101	MRS25 1% 10E	4822 116 52891
R 2102	MRS25 1% 10E	4822 116 52891
R 2103	MRS25 1% 51E1	5322 116 53213
R 2104	MRS25 1% 51E1	5322 116 53213
R 2201	MRS25 1% 75K	5322 116 53266
R 2202	MRS25 1% 12K1	4822 116 52957
R 2203	MRS25 1% 215K	5322 116 53425
R 2204	MRS25 1% 10K	4822 116 53022
R 2205	MRS25 1% 2K15	5322 116 53239
R 2206	MRS25 1% 75K	5322 116 53266
R 2207	MRS25 1% 12K1	4822 116 52957
R 2208	MRS25 1% 215K	5322 116 53425
R 2209	MRS25 1% 10K	4822 116 53022
R 2210	MRS25 1% 2K15	5322 116 53239
R 2211	MRS25 1% 5K62	5322 116 53495
R 2212	0.3W 25% 10K	4822 105 10455
R 2213	MRS25 1% 23K7	5322 116 53537
R 2214	MRS25 1% 10K	4822 116 53022
R 2215	MRS25 1% 2K15	5322 116 53239
R 2216	MRS25 1% 5K62	5322 116 53495
R 2222	MRS25 1% 1K96	5322 116 53237
R 2225	MRS25 1% 23K7	5322 116 53537
R 2230	MRS25 1% 147E	5322 116 53569
R 2231	MRS25 1% 422E	5322 116 53592
R 2232	MRS25 1% 383E	5322 116 53332
R 2234	MRS25 1% 42E2	5322 116 53515
R 2236	MRS25 1% 681E	4822 116 53123
R 2237	MRS25 1% 383E	5322 116 53332
R 2239	MRS25 1% 348E	5322 116 53591

POSNR	DESCRIPTION	ORDERING	CODE
R 2241	MRS25 1% 1K	4822 116	53108
R 2242	MRS25 1% 383E	5322 116	53332
R 2243	MRS25 1% 681E	4822 116	53123
R 2244	MRS25 1% 42E2	5322 116	53515
R 2246	MRS25 1% 422E	5322 116	53592
R 2247	MRS25 1% 383E	5322 116	53332
R 2251	MRS25 1% 75E	5322 116	53339
R 2252	MRS25 1% 750E	5322 116	53265
R 2253	MRS25 1% 750E	5322 116	53265
R 2254	MRS25 1% 75E	5322 116	53339
R 2255	MRS25 1% 287E	5322 116	53221
R 2301	MRS25 1% 19K6	5322 116	53258
R 2302	MRS25 1% 19K6	5322 116	53258
R 2303	MRS25 1% 5K62	5322 116	53495
R 2304	MRS25 1% 5K62	5322 116	53495
R 2311	MRS25 1% 2K87	5322 116	53513
R 2317	MRS25 1% 681E	4822 116	53123
R 2318	MRS25 1% 681E	4822 116	53123
R 2319	MRS25 1% 5E11	4822 116	52999
R 2324	MRS25 1% 5K62	5322 116	53495
R 2325	MRS25 1% 5K62	5322 116	53495
R 2326	MRS25 1% 2K87	5322 116	53513
R 2327	MRS25 1% 3K83	4822 116	53079
R 2328	MRS25 1% 2K87	5322 116	53513
R 2329	MRS25 1% 825E	5322 116	53541
R 2330	0.3W 25% 10K	4822 105	10455
R 2333	MRS25 1% 5K62	5322 116	53495
R 2334	MRS25 1% 5K62	5322 116	53495
R 2335	MRS25 1% 10K	4822 116	53022
R 2336	MRS25 1% 31E6	5322 116	54964
R 2337	MRS25 1% 162E	5322 116	53523
R 2338	MRS25 1% 2K61	5322 116	53327
R 2339	MRS25 1% 237E	5322 116	53259
R 2341	MRS25 1% 31E6	5322 116	54964
R 2342	MRS25 1% 162E	5322 116	53523
R 2344	MRS25 1% 511E	5322 116	53135
R 2345	MRS25 1% 100E	5322 116	53126
R 2346	MRS25 1% 681E	4822 116	53123
R 2348	MRS25 1% 8K25	5322 116	53267
R 2350	MRS25 1% 4K22	5322 116	53246
R 2351	MRS25 1% 562E	5322 116	53214
R 2352	MRS25 1% 825E	5322 116	53541
R 2357	MRS25 1% 681E	4822 116	53123
R 2358	MRS25 1% 511E	5322 116	53135
R 2360	MRS25 1% 100E	5322 116	53126
R 2361	MRS25 1% 4K22	5322 116	53246
R 2365	MRS25 1% 23K7	5322 116	53537
R 2366	MRS25 1% 10K	4822 116	53022
R 2367	MRS25 1% 16K2	5322 116	53589
R 2369	MRS25 1% 82K5	5322 116	53581
R 2371	MRS25 1% 422E	5322 116	53592
R 2372	MRS25 1% 511E	5322 116	53135
R 2373	MRS25 1% 90K9	5322 116	53582
R 2374	MRS25 1% 511E	5322 116	53135
R 2375	MRS25 1% 23K7	5322 116	53537
R 2376	VR25 10% 22M	5322 116	51785
R 2377	VR25 10% 22M	5322 116	51785
R 2378	VR25 10% 22M	5322 116	51785
R 2379	VR25 10% 22M	5322 116	51785
R 2380	MRS25 1% 750E	5322 116	53265

POSNR	DESCRIPTION	ORDERING CODE
R 2381	MRS25 1% 2K61	5322 116 53327
R 2382	MRS25 1% 2K61	5322 116 53327
R 2383	MRS25 1% 1K	4822 116 53108
R 2384	MRS25 1% 750E	5322 116 53265
R 2386	MRS25 1% 1K	4822 116 53108
R 2387	MRS25 1% 750E	5322 116 53265
R 2388	MRS25 1% 1K	4822 116 53108
R 2389	MRS25 1% 1K	4822 116 53108
R 2391	MRS25 1% 42E2	5322 116 53515
R 2393	MRS25 1% 3K48	4822 116 53315
R 2394	MRS25 1% 100E	5322 116 53126
R 2395	0.3W 25% 220E	5322 105 20031
R 2396	MRS25 1% 3K48	4822 116 53315
R 2397	MRS25 1% 42E2	5322 116 53515
R 2398	MRS25 1% 237E	5322 116 53259
R 2403	MRS25 1% 42E2	5322 116 53515
R 2404	MRS25 1% 1K33	5322 116 53512
R 2406	MRS25 1% 1K62	5322 116 53257
R 2407	0.3W 25% 220E	5322 105 20031
R 2408	MRS25 1% 1K33	5322 116 53512
R 2409	MRS25 1% 1K62	5322 116 53257
R 2410	0.3W 25% 1K	5322 105 20032
R 2411	MRS25 1% 42E2	5322 116 53515
R 2412	MRS25 1% 1K33	5322 116 53512
R 2416	MRS25 1% 1K	4822 116 53108
R 2418	MRS25 1% 4K22	5322 116 53246
R 2419	MRS25 1% 1K1	5322 116 53473
R 2420	MRS25 1% 909E	4822 116 53533
R 2421	MRS25 1% 4K22	5322 116 53246
R 2422	MRS25 1% 1K	4822 116 53108
R 2430	MRS25 1% 100K	4822 116 52973
R 2431	MRS25 1% 100K	4822 116 52973
R 2432	MRS25 1% 100K	4822 116 52973
R 2433	MRS25 1% 100K	4822 116 52973
R 2434	MRS25 1% 10K	4822 116 53022
R 2435	MRS25 1% 10K	4822 116 53022
R 2601	MRS25 1% 3K48	4822 116 53315
R 2602	MRS25 1% 5E11	4822 116 52999
R 2603	MRS25 1% 5K11	5322 116 53494
R 2604	MRS25 1% 5K11	5322 116 53494
R 2605	MRS25 1% 12K1	4822 116 52957
R 2606	MRS25 1% 1E	4822 116 52976
R 2610	MRS25 1% 10K	4822 116 53022
R 2611	MRS25 1% 1K	4822 116 53108
R 2621	MRS25 1% 422E	5322 116 53592
R 2622	MRS25 1% 681E	4822 116 53123
R 2623	MRS25 1% 1K1	5322 116 53473
R 2624	MRS25 1% 3K48	4822 116 53315
R 2625	MRS25 1% 681E	4822 116 53123
R 2626	MRS25 1% 6K81	5322 116 53252
R 2627	MRS25 1% 287E	5322 116 53221
R 2628	MRS25 1% 2K37	5322 116 53536
R 2629	MRS25 1% 10K	4822 116 53022
R 2631	MRS25 1% 10K	4822 116 53022
R 2632	MRS25 1% 383E	5322 116 53332
R 2635	MRS25 1% 10K	4822 116 53022
R 2701	MRS25 1% 1E	4822 116 52976
R 2702	MRS25 1% 31E6	5322 116 54964
R 2704	MRS25 1% 5E11	4822 116 52999
R 2712	MRS25 1% 5E11	4822 116 52999

POSNR	DESCRIPTION	ORDERING CODE
R 2713	MRS25 1% 5E11	4822 116 52999
R 2714	MRS25 1% 5E11	4822 116 52999
R 2721	MRS25 1% 5E11	4822 116 52999
R 2722	MRS25 1% 5E11	4822 116 52999
R 2723	MRS25 1% 5E11	4822 116 52999
R 2724	MRS25 1% 5E11	4822 116 52999
R 2740	MRS25 1% 5E11	4822 116 52999
R 2741	MRS25 1% 31E6	5322 116 54964
R 2742	MRS25 1% 5E11	4822 116 52999
R 3001	MRS25 1% 147E	5322 116 53569
R 3002	MRS25 1% 316E	5322 116 53514
R 3003	MRS25 1% 1K47	5322 116 53185
R 3004	MRS25 1% 422E	5322 116 53592
R 3006	MRS25 1% 2K37	5322 116 53536
R 3007	0.3W 25% 2K2	5322 105 20033
R 3008	MRS25 1% 121E	4822 116 52955
R 3009	MRS25 1% 3K83	4822 116 53079
R 3011	MRS25 1% 121E	4822 116 52955
R 3012	MRS25 1% 316E	5322 116 53514
R 3013	0.3W 25% 10K	4822 105 10455
R 3014	MRS25 1% 1K21	4822 116 52956
R 3015	MRS25 1% 316E	5322 116 53514
R 3016	MRS25 1% 2K37	5322 116 53536
R 3017	0.3W 25% 22K	5322 105 20035
R 3018	MRS25 1% 8K25	5322 116 53267
R 3020	MRS25 1% 10E	4822 116 52891
R 3021	MRS25 1% 464E	5322 116 53232
R 3022	MRS25 1% 750E	5322 116 53265
R 3023	MRS25 1% 348E	5322 116 53591
R 3024	MRS25 1% 750E	5322 116 53265
R 3025	MRS25 1% 10E	4822 116 52891
R 3026	MRS25 1% 464E	5322 116 53232
R 3027	MRS25 1% 42E2	5322 116 53515
R 3028	MRS25 1% 42E2	5322 116 53515
R 3029	MRS25 1% 681E	4822 116 53123
R 3031	MRS25 1% 511E	5322 116 53135
R 3032	MRS25 1% 31E6	5322 116 54964
R 3033	MRS25 1% 100E	5322 116 53126
R 3034	MRS25 1% 162E	5322 116 53523
R 3036	0.3W 25% 100E	5322 105 20029
R 3037	MRS25 1% 100E	5322 116 53126
R 3038	0.3W 25% 470E	5322 105 20028
R 3039	MRS25 1% 42E2	5322 116 53515
R 3041	MRS25 1% 316E	5322 116 53514
R 3042	MR52 1% 1K33	5322 116 52164
R 3043	MR52 1% 1K33	5322 116 52164
R 3044	MR52 1% 1K33	5322 116 52164
R 3046	MR52 1% 1K33	5322 116 52164
R 3047	MRS25 1% 42E2	5322 116 53515
R 3048	MRS25 1% 42E2	5322 116 53515
R 3049	MRS25 1% 100K	4822 116 52973
R 3050	MRS25 1% 42E2	5322 116 53515
R 3051	MRS25 1% 100K	4822 116 52973
R 3052	MRS25 1% 42E2	5322 116 53515
R 3100	MRS25 1% 42E2	5322 116 53515
R 3101	MRS25 1% 5K62	5322 116 53495
R 3102	MRS25 1% 562E	5322 116 53214
R 3103	MRS25 1% 1K21	4822 116 52956
R 3104	MRS25 1% 6K81	5322 116 53252
R 3106	MRS25 1% 42E2	5322 116 53515

POSNR	DESCRIPTION	ORDERING	CODE
R 3107	MRS25 1% 2K87	5322 116	53513
R 3108	MRS25 1% 825E	5322 116	53541
R 3109	MRS25 1% 6K19	5322 116	53263
R 3110	MRS25 1% 42E2	5322 116	53515
R 3111	MRS25 1% 42E2	5322 116	53515
R 3112	MRS25 1% 7K5	4822 116	53028
R 3113	MRS25 1% 1K21	4822 116	52956
R 3114	MRS25 1% 5K62	5322 116	53495
R 3115	MRS25 1% 42E2	5322 116	53515
R 3116	MRS25 1% 562E	5322 116	53214
R 3117	MRS25 1% 4K64	5322 116	53212
R 3118	0.3W 25% 1K	5322 105	20032
R 3119	MRS25 1% 4K64	5322 116	53212
R 3120	MRS25 1% 42E2	5322 116	53515
R 3121	MRS25 1% 46K4	5322 116	53314
R 3122	MRS25 1% 6K81	5322 116	53252
R 3124	MRS25 1% 619E	5322 116	53337
R 3125	MRS25 1% 42E2	5322 116	53515
R 3126	MRS25 1% 14K7	4822 116	53531
R 3127	MRS25 1% 1K33	5322 116	53512
R 3128	MRS25 1% 825E	5322 116	53541
R 3129	MRS25 1% 1K1	5322 116	53473
R 3130	MRS25 1% 42E2	5322 116	53515
R 3131	MRS25 1% 1K33	5322 116	53512
R 3132	MRS25 1% 825E	5322 116	53541
R 3133	MRS25 1% 6K19	5322 116	53263
R 3134	MRS25 1% 14K7	4822 116	53531
R 3136	MRS25 1% 1K	4822 116	53108
R 3137	MRS25 1% 46K4	5322 116	53314
R 3138	MRS25 1% 6K81	5322 116	53252
R 3139	MRS25 1% 619E	5322 116	53337
R 3141	MRS25 1% 316E	5322 116	53514
R 3142	MRS25 1% 316E	5322 116	53514
R 3143	MRS25 1% 10E	4822 116	52891
R 3144	MRS25 1% 10E	4822 116	52891
R 3146	MRS25 1% 316E	5322 116	53514
R 3147	0.5W 10% 3K3	5322 116	30234
R 3148	MRS25 1% 9K09	5322 116	53253
R 3200	MRS25 1% 8K25	5322 116	53267
R 3201	MRS25 1% 1K21	4822 116	52956
R 3202	MRS25 1% 100E	5322 116	53126
R 3203	MRS25 1% 16K2	5322 116	53589
R 3204	MRS25 1% 562E	5322 116	53214
R 3205	MRS25 1% 4K64	5322 116	53212
R 3206	MRS25 1% 4K64	5322 116	53212
R 3207	MRS25 1% 82K5	5322 116	53581
R 3208	MRS25 1% 7K5	4822 116	53028
R 3209	MRS25 1% 1K	4822 116	53108
R 3210	MRS25 1% 42E2	5322 116	53515
R 3211	MRS25 1% 10K	4822 116	53022
R 3212	MRS25 1% 1K47	5322 116	53185
R 3213	MRS25 1% 23K7	5322 116	53537
R 3214	MRS25 1% 51K1	4822 116	53121
R 3215	MRS25 1% 4K64	5322 116	53212
R 3216	MRS25 1% 178K	5322 116	53555
R 3217	MRS25 1% 511E	5322 116	53135
R 3218	MRS25 1% 51K1	4822 116	53121
R 3219	MRS25 1% 1M	4822 116	52843
R 3221	MRS25 1% 100E	5322 116	53126
R 3222	MRS25 1% 100K	4822 116	52973

POSNR	DESCRIPTION	ORDERING	CODE
R 3223	MRS25 1% 51K1	4822 116	53121
R 3224	MRS25 1% 2K37	5322 116	53536
R 3226	MRS25 1% 100E	5322 116	53126
R 3250	MRS25 1% 2K37	5322 116	53536
R 3251	MRS25 1% 1M	4822 116	52843
R 3253	MRS25 1% 75K	5322 116	53266
R 3254	MRS25 1% 1K	4822 116	53108
R 3256	MRS25 1% 178K	5322 116	53555
R 3257	MRS25 1% 825K	5322 116	53341
R 3258	VR25 5% 3M3	4822 110	72201
R 3259	VR25 5% 3M3	4822 110	72201
R 3261	VR25 5% 3M3	4822 110	72201
R 3262	VR25 5% 7M5	5322 116	60131
R 3263	VR25 5% 3M3	4822 110	72201
R 3267	25% 47K	5322 105	20037
R 3268	MRS25 1% 681K	5322 116	53593
R 3269	MRS25 1% 15K4	5322 116	53234
R 3270	MRS25 1% 23K7	5322 116	53537
R 3271	MRS25 1% 14K7	4822 116	53531
R 3301	MRS25 1% 10E	4822 116	52891
R 3302	MRS25 1% 1E	4822 116	52976
R 3303	MRS25 1% 5E11	4822 116	52999
R 3304	MRS25 1% 5E11	4822 116	52999
R 3306	MRS25 1% 2K87	5322 116	53513
R 3308	MRS25 1% 10E	4822 116	52891
R 3309	MRS25 1% 5E11	4822 116	52999
R 3311	MRS25 1% 5E11	4822 116	52999
R 3312	MRS25 1% 5E11	4822 116	52999
R 3313	MRS25 1% 10E	4822 116	52891
R 4000	MRS25 1% 51E1	5322 116	53213
R 4001	MRS25 1% 619E	5322 116	53337
R 4002	MRS25 1% 511E	5322 116	53135
R 4003	MRS25 1% 511E	5322 116	53135
R 4004	MRS25 1% 6K19	5322 116	53263
R 4005	MRS25 1% 100E	5322 116	53126
R 4006	MRS25 1% 51E1	5322 116	53213
R 4007	MRS25 1% 1K47	5322 116	53185
R 4008	MRS25 1% 100E	5322 116	53126
R 4009	0.3W 25% 1K	5322 105	20032
R 4010	MRS25 1% 511E	5322 116	53135
R 4011	MRS25 1% 5K11	5322 116	53494
R 4012	MRS25 1% 1K78	5322 116	53208
R 4013	MRS25 1% 1M	4822 116	52843
R 4014	MRS25 1% 5K11	5322 116	53494
R 4015	MRS25 1% 1K	4822 116	53108
R 4016	MRS25 1% 5K11	5322 116	53494
R 4017	MRS25 1% 2K87	5322 116	53513
R 4018	MRS25 1% 5K11	5322 116	53494
R 4019	MRS25 1% 681K	5322 116	53593
R 4020	MRS25 1% 1K62	5322 116	53257
R 4021	MRS25 1% 10K	4822 116	53022
R 4022	MRS25 1% 4K22	5322 116	53246
R 4023	MRS25 1% 12K1	4822 116	52957
R 4024	MRS25 1% 1K	4822 116	53108
R 4025	MRS25 1% 1K	4822 116	53108
R 4026	MRS25 1% 5K11	5322 116	53494
R 4027	MRS25 1% 2K15	5322 116	53239
R 4051	MRS25 1% 10K	4822 116	53022
R 4052	MRS25 1% 10K	4822 116	53022
R 4101	MRS25 1% 100K	4822 116	52973
R 4102	MRS25 1% 4K64	5322 116	53212

POSNR	DESCRIPTION	ORDERING CODE
R 4103	MRS25 1% 11K	4822 116 52907
R 4104	MRS25 1% 46K4	5322 116 53314
R 4106	MRS25 1% 422E	5322 116 53592
R 4107	0.3W 25% 10K	4822 105 10455
R 4108	0.3W 25% 10K	4822 105 10455
R 4109	MRS25 1% 5K11	5322 116 53494
R 4111	MRS25 1% 12K1	4822 116 52957
R 4117	MRS25 1% 3K16	4822 116 53021
R 4118	0.25% 50E	5322 116 53405
R 4119	0.25% 50E	5322 116 53405
R 4120	MRS25 1% 1K	4822 116 53108
R 4121	0.25% 150E	5322 116 53399
R 4122	0.25% 250E	5322 116 53406
R 4123	0.25% 500E	5322 116 53408
R 4124	0.25% 1K5	5322 116 53401
R 4125	MRS25 1% 100E	5322 116 53126
R 4126	MRS25 1% 9K09	5322 116 53253
R 4127	MRS25 1% 1K62	5322 116 53257
R 4128	MRS25 1% 5K11	5322 116 53494
R 4129	MRS25 1% 1M	4822 116 52843
R 4130	MRS25 1% 1K	4822 116 53108
R 4131	MRS25 1% 5K11	5322 116 53494
R 4132	MRS25 1% 5K11	5322 116 53494
R 4133	MRS25 1% 316E	5322 116 53514
R 4134	MRS25 1% 10K	4822 116 53022
R 4135	MRS25 1% 1K	4822 116 53108
R 4136	MRS25 1% 10K	4822 116 53022
R 4137	MRS25 1% 14K7	4822 116 53531
R 4138	MRS25 1% 5E11	4822 116 52999
R 4139	MRS25 1% 10K	4822 116 53022
R 4140	MRS25 1% 10K	4822 116 53022
R 4141	MRS25 1% 14K7	4822 116 53531
R 4142	MRS25 1% 100E	5322 116 53126
R 4143	0.1% 20K	5322 116 52697
R 4144	0.1% 202E	5322 116 53413
R 4145	MRS25 1% 1K	4822 116 53108
R 4146	MRS25 1% 10K	4822 116 53022
R 4147	MRS25 1% 511E	5322 116 53135
R 4148	MRS25 1% 21K5	5322 116 53241
R 4149	MRS25 1% 31E6	5322 116 54964
R 4150	MRS25 1% 9E09	5322 116 53516
R 4151	MRS25 1% 2K61	5322 116 53327
R 4152	MRS25 1% 162E	5322 116 53523
R 4153	MRS25 1% 1K1	5322 116 53473
R 4154	MRS25 1% 1K78	5322 116 53208
R 4155	MRS25 1% 2K15	5322 116 53239
R 4156	MRS25 1% 1M	4822 116 52843
R 4157	MRS25 1% 1E	4822 116 52976
R 4158	MRS25 1% 1M	4822 116 52843
R 4159	MRS25 1% 2K15	5322 116 53239
R 4160	MRS25 1% 100E	5322 116 53126
R 4161	MRS25 1% 10K	4822 116 53022
R 4162	MRS25 1% 100E	5322 116 53126
R 4163	MRS25 1% 5E11	4822 116 52999
R 4164	MRS25 1% 100E	5322 116 53126
R 4301	MRS25 1% 51K1	4822 116 53121
R 4302	MRS25 1% 51K1	4822 116 53121
R 4303	MRS25 1% 6K81	5322 116 53252
R 4304	MRS25 1% 5K11	5322 116 53494
R 4305	MRS25 1% 51K1	4822 116 53121

POSNR	DESCRIPTION	ORDERING	CODE
R 4306	MRS25 1% 681E	4822 116	53123
R 4307	MRS25 1% 5K11	5322 116	53494
R 4308	MRS25 1% 10K	4822 116	53022
R 4309	MRS25 1% 8K25	5322 116	53267
R 4310	MRS25 1% 100E	5322 116	53126
R 4311	MRS25 1% 10K	4822 116	53022
R 4312	MRS25 1% 9K09	5322 116	53253
R 4313	MRS25 1% 7K5	4822 116	53028
R 4314	MRS25 1% 8K25	5322 116	53267
R 4330	MRS25 1% 5K11	5322 116	53494
R 4331	MRS25 1% 21K5	5322 116	53241
R 4332	MRS25 1% 4K22	5322 116	53246
R 4334	MRS25 1% 2K15	5322 116	53239
R 4501	MRS25 1% 13K3	5322 116	53489
R 4502	MRS25 1% 4K22	5322 116	53246
R 4503	MRS25 1% 6K81	5322 116	53252
R 4504	MRS25 1% 13K3	5322 116	53489
R 4505	MRS25 1% 511E	5322 116	53135
R 4506	MRS25 1% 2K15	5322 116	53239
R 4507	MRS25 1% 750E	5322 116	53265
R 4508	MRS25 1% 11K	4822 116	52907
R 4509	MRS25 1% 2K15	5322 116	53239
R 4513	MRS25 1% 1K47	5322 116	53185
R 4521	MRS25 1% 16K2	5322 116	53589
R 4522	MRS25 1% 23K7	5322 116	53537
R 4523	MRS25 1% 16K2	5322 116	53589
R 4524	MRS25 1% 14K7	4822 116	53531
R 4526	MRS25 1% 2K37	5322 116	53536
R 4527	MRS25 1% 19K6	5322 116	53258
R 4528	MRS25 1% 5K62	5322 116	53495
R 4529	MRS25 1% 21K5	5322 116	53241
R 4531	MRS25 1% 10K	4822 116	53022
R 4532	MRS25 1% 10K	4822 116	53022
R 4533	MRS25 1% 3K48	4822 116	53315
R 4601	MRS25 1% 2K37	5322 116	53536
R 4602	MRS25 1% 26K1	5322 116	53261
R 4603	MRS25 1% 23K7	5322 116	53537
R 4604	MRS25 1% 100K	4822 116	52973
R 4606	MRS25 1% 909E	4822 116	53533
R 4607	MRS25 1% 100E	5322 116	53126
R 4608	MRS25 1% 1K	4822 116	53108
R 4609	MRS25 1% 42E2	5322 116	53515
R 4611	MRS25 1% 10K	4822 116	53022
R 4612	MRS25 1% 7K5	4822 116	53028
R 4613	MRS25 1% 7K5	4822 116	53028
R 4614	MRS25 1% 8K25	5322 116	53267
R 4616	0.3W 25% 1K	5322 105	20032
R 4617	MRS25 1% 6K81	5322 116	53252
R 4618	MRS25 1% 11K	4822 116	52907
R 4619	MRS25 1% 51K1	4822 116	53121
R 4620	MRS25 1% 10K	4822 116	53022
R 4621	MRS25 1% 909E	4822 116	53533
R 4622	MRS25 1% 100E	5322 116	53126
R 4625	MRS25 1% 100E	5322 116	53126
R 4626	MRS25 1% 100E	5322 116	53126
R 4627	MRS25 1% 10K	4822 116	53022
R 4628	MRS25 1% 1K	4822 116	53108
R 4629	MRS25 1% 8K25	5322 116	53267
R 4631	MRS25 1% 1K	4822 116	53108
R 4632	MRS25 1% 100E	5322 116	53126

POSNR	DESCRIPTION	ORDERING	CODE
R 4633	MRS25 1% 1K	4822 116	53108
R 4634	MRS25 1% 1K	4822 116	53108
R 4636	MRS25 1% 1M	4822 116	52843
R 4639	MRS25 1% 383E	5322 116	53332
R 4701	MRS25 1% 42E2	5322 116	53515
R 4703	MRS25 1% 562E	5322 116	53214
R 4705	MRS25 1% 1K	4822 116	53108
R 4706	MRS25 1% 100E	5322 116	53126
R 4707	MRS25 1% 511E	5322 116	53135
R 4708	MRS25 1% 2K87	5322 116	53513
R 4709	MRS25 1% 681E	4822 116	53123
R 4711	MRS25 1% 6K19	5322 116	53263
R 4712	MRS25 1% 511E	5322 116	53135
R 4713	MRS25 1% 1M	4822 116	52843
R 4714	MRS25 1% 1M	4822 116	52843
R 4716	MRS25 1% 6K81	5322 116	53252
R 4717	MRS25 1% 8K25	5322 116	53267
R 4718	MRS25 1% 1K	4822 116	53108
R 4719	MRS25 1% 100E	5322 116	53126
R 4721	0.3W 25% 1K	5322 105	20032
R 4722	MRS25 1% 46K4	5322 116	53314
R 4723	MRS25 1% 681K	5322 116	53593
R 4724	MRS25 1% 42E2	5322 116	53515
R 4725	MRS25 1% 4K22	5322 116	53246
R 4726	MRS25 1% 100K	4822 116	52973
R 4727	MRS25 1% 6K81	5322 116	53252
R 4728	MRS25 1% 562E	5322 116	53214
R 4801	MRS25 1% 5E11	4822 116	52999
R 4804	MRS25 1% 5E11	4822 116	52999
R 4807	MRS25 1% 5E11	4822 116	52999
R 4809	MRS25 1% 5E11	4822 116	52999
R 4819	MRS25 1% 5E11	4822 116	52999
R 4820	MRS25 1% 5E11	4822 116	52999
R 4822	MRS25 1% 5E11	4822 116	52999
R 4825	MRS25 1% 5E11	4822 116	52999
R 4829	MRS25 1% 5E11	4822 116	52999
R 4831	MRS25 1% 5E11	4822 116	52999
R 4833	MRS25 1% 5E11	4822 116	52999
R 4835	MRS25 1% 5E11	4822 116	52999
R 4836	MRS25 1% 5E11	4822 116	52999
R 4838	MRS25 1% 100E	5322 116	53126
R 4839	MRS25 1% 100E	5322 116	53126
R 4841	MRS25 1% 10K	4822 116	53022
R 4902	MRS25 1% 1E	4822 116	52976
R 4903	MRS25 1% 1E	4822 116	52976
R 4904	MRS25 1% 1E	4822 116	52976
R 5001	PP17 20% 10K	5322 101	30546
R 5002	PP17 20% 10K	5322 101	30547
R 5003	PP17 20% 10K	5322 101	30546
R 5004	PP17 20% 10K	5322 101	30546
R 6001	1.7A 20% 82E	4822 116	30069
R 6002	MRS25 1% 383K	5322 116	53576
R 6003	MRS25 1% 383K	5322 116	53576
R 6004	MRS25 1% 316E	5322 116	53514
R 6005	MRS25 1% 464E	5322 116	53232
R 6006	MRS25 1% 10K	4822 116	53022
R 6007	MRS25 1% 10K	4822 116	53022
R 6008	MRS25 1% 316E	5322 116	53514
R 6009	0.5W 10% 1K5	4822 116	30248
R 6010	MRS25 1% 14K7	4822 116	53531

POSNR	DESCRIPTION	ORDERING CODE
R 6011	MRS25 1% 237E	5322 116 53259
R 6012	MRS25 1% 178E	5322 116 53572
R 6013	MRS25 1% 100E	5322 116 53126
R 6014	MRS25 1% 3E16	4822 116 52993
R 6016	MRS25 1% 10K	4822 116 53022
R 6017	MRS25 1% 1E	4822 116 52976
R 6018	MRS25 1% 1E	4822 116 52976
R 6019	MRS25 1% 10K	4822 116 53022
R 6020	MRS25 1% 21E5	5322 116 53426
R 6021	MRS25 1% 10K	4822 116 53022
R 6022	MRS25 1% 10K	4822 116 53022
R 6031	MRS25 1% 383E	5322 116 53332
R 6032	0.25% 5K62	5322 116 80473
R 6033	0.25% 7K5	5322 116 80474
R 6034	MRS25 1% 6K19	5322 116 53263
R 6036	MRS25 1% 7K5	4822 116 53028
R 6037	MRS25 1% 31K6	5322 116 53262
R 6038	MRS25 1% 100E	5322 116 53126
R 6039	MRS25 1% 10E	4822 116 52891
R 6041	MRS25 1% 3K83	4822 116 53079
R 6042	MRS25 1% 3K83	4822 116 53079
R 6043	MRS25 1% 100K	4822 116 52973
R 6044	MRS25 1% 100K	4822 116 52973
R 6101	MRS25 1% 100E	5322 116 53126
R 6102	MRS25 1% 100E	5322 116 53126
R 6103	MRS25 1% 1K	4822 116 53108
R 6131	MRS25 1% 10E	4822 116 52891
R 6132	MRS25 1% 100K	4822 116 52973
R 6133	MRS25 1% 100K	4822 116 52973
R 6134	MRS25 1% 1K	4822 116 53108
R 6136	MRS25 1% 4K64	5322 116 53212
R 6137	MRS25 1% 316E	5322 116 53514
R 6138	MRS25 1% 1K	4822 116 53108
R 6139	MRS25 1% 100E	5322 116 53126
R 6201	0.25% 160K	5322 116 53412
R 6202	VR37 1% 31M6	5322 116 64103
R 6203	MRS25 1% 316K	4822 116 53058
R 6204	MRS25 1% 10K	4822 116 53022
R 6206	MRS25 1% 16K2	5322 116 53589
R 6207	MRS25 1% 51E1	5322 116 53213
R 6208	MRS25 1% 464E	5322 116 53232
R 6209	MRS25 1% 4K64	5322 116 53212
R 6211	MRS25 1% 46K4	5322 116 53314
R 6212	MRS25 1% 4K64	5322 116 53212
R 6213	MRS25 1% 215E	5322 116 53325
R 6214	VR25 5% 10M	4822 110 72214
R 6216	MRS25 1% 100E	5322 116 53126
R 6217	MRS25 1% 1E	4822 116 52976
R 6300	MRS25 1% 2K61	5322 116 53327
R 6301	MRS25 1% 464E	5322 116 53232
R 6302	MRS25 1% 909E	4822 116 53533
R 6303	MRS25 1% 3K83	4822 116 53079
R 6304	MRS25 1% 6K81	5322 116 53252
R 6311	MRS25 1% 750E	5322 116 53265
R 6312	MRS25 1% 4K22	5322 116 53246
R 6313	MRS25 1% 1K1	5322 116 53473
R 6401	MRS25 1% 1K78	5322 116 53208
R 6402	MRS25 1% 178K	5322 116 53555
R 6403	MRS25 1% 215E	5322 116 53325
R 6404	MRS25 1% 6K81	5322 116 53252

POSNR	DESCRIPTION	ORDERING CODE
R 6406	MRS25 1% 26K1	5322 116 53261
R 6407	MRS25 1% 3K48	4822 116 53315
R 6408	MTP10 20% 10K	5322 100 10113
R 6501	MRS25 1% 511E	5322 116 53135
R 6502	MRS25 1% 100K	4822 116 52973
R 6503	MRS25 1% 5K11	5322 116 53494
R 6504	MRS25 1% 19K6	5322 116 53258
R 6506	MRS25 1% 5K62	5322 116 53495
R 6507	MRS25 1% 511E	5322 116 53135
R 6508	0.25% 3K67	5322 116 53411
R 6509	0.25% 500E	5322 116 53408
R 6511	MRS25 1% 562E	5322 116 53214
R 7001	MRS25 1% 1K	4822 116 53108
R 7002	MRS25 1% 1K	4822 116 53108
R 7003	MRS25 1% 75K	5322 116 53266
R 7004	MRS25 1% 5K11	5322 116 53494
R 7005	PP17 20% 10K	5322 101 30546
R 7006	PP17 20% 10K	5322 101 30546
R 7007	PP17 20% 10K	5322 101 30546
R 7008	PP17 20% 10K	5322 101 30546
R 7009	PP17 20% 10K	5322 101 30546
R 7010	PP17 20% 10K	5322 101 30546
R 7011	PP17 20% 10K	5322 101 30546
R 7012	PP17 20% 10K	5322 101 30546
R 7013	MRS25 1% 100E	5322 116 53126
R 7014	MRS25 1% 162E	5322 116 53523
R 7016	0.5W 10% 2K2	4822 116 30254
R 7017	MRS25 1% 1K1	5322 116 53473
R 7018	MRS25 1% 1M	4822 116 52843
R 7019	MRS25 1% 100E	5322 116 53126
R 7102	MRS25 1% 100E	5322 116 53126
R 7103	MRS25 1% 5E11	4822 116 52999
R 8001	MCR18 1% 10K	4822 111 90249

25.4.3 Semi-conductors

V 0200	BC548C	4822 130 44196
V 0201	BAW62	4822 130 30613
V 0202	BAW62	4822 130 30613
V 0203	BC548C	4822 130 44196
V 0204	BC548C	4822 130 44196
V 0206	BAW62	4822 130 30613
V 0207	BC548C	4822 130 44196
V 0208	BC548C	4822 130 44196
V 0209	BC548C	4822 130 44196
V 0301	BAT85	4822 130 31983
V 0302	BAT85	4822 130 31983
V 0501	BZX79-C3V6	5322 130 34834
V 0502	BAW62	4822 130 30613
V 0503	BAT85	4822 130 31983
V 0504	BAW62	4822 130 30613
V 0506	BAT85	4822 130 31983
V 0512	LM336Z-2.5	5322 209 81329
V 0521	BC548C	4822 130 44196
V 0522	BC548C	4822 130 44196
V 0523	BZX79-C5V1	4822 130 34233
V 0531	BC548C	4822 130 44196
V 0532	BC548C	4822 130 44196
V 0551	BC558B	4822 130 44197
V 0552	BC558B	4822 130 44197
V 0553	BAW62	4822 130 30613

POSNR	DESCRIPTION	ORDERING CODE
V 0554	BAW62	4822 130 30613
V 0556	BAW62	4822 130 30613
V 0557	BAW62	4822 130 30613
V 0558	BC548C	4822 130 44196
V 0566	BZX79-C5V1	4822 130 34233
V 0567	BF370	4822 130 42589
V 0568	BC548C	4822 130 44196
V 0569	BC558B	4822 130 44197
V 0591	BZX79-C5V1	4822 130 34233
V 0592	BAW62	4822 130 30613
V 0593	BC548C	4822 130 44196
V 0601	BC548C	4822 130 44196
V 0602	BC558B	4822 130 44197
V 0603	BZV46-C1V5	5322 130 34865
V 0604	BC558B	4822 130 44197
V 0606	BC548C	4822 130 44196
V 0607	BZX79-C6V2	4822 130 34167
V 0608	BC548C	4822 130 44196
V 0609	BAW62	4822 130 30613
V 0611	BAW62	4822 130 30613
V 0611	BC548C	4822 130 44196
V 0612	BAW62	4822 130 30613
V 0612	BC558B	4822 130 44197
V 0613	BAW62	4822 130 30613
V 0613	BD435	5322 130 50405
V 0614	BAW62	4822 130 30613
V 0614	BZX79-C27	4822 130 34379
V 0615	BAW62	4822 130 30613
V 0616	BC548C	4822 130 44196
V 0616	BAW62	4822 130 30613
V 0617	BC548C	4822 130 44196
V 0618	BAW62	4822 130 30613
V 0619	BAW62	4822 130 30613
V 0621	BC548C	4822 130 44196
V 0622	BC548C	4822 130 44196
V 0623	BAW62	4822 130 30613
V 0624	BAW62	4822 130 30613
V 0626	BC548C	4822 130 44196
V 0627	BC548C	4822 130 44196
V 0628	BC548C	4822 130 44196
V 0629	BC548C	4822 130 44196
V 0630	BC548C	4822 130 44196
V 0631	BC548C	4822 130 44196
V 0632	BC548C	4822 130 44196
V 0633	BC548C	4822 130 44196
V 0634	BAW62	4822 130 30613
V 0636	BAW62	4822 130 30613
V 0701	BCW33	5322 130 44337
V 0702	BCW33	5322 130 44337
V 0703	BFR92R	5322 130 44606
V 0704	BFR92	5322 130 42145
V 0706	BCW30	5322 130 44335
V 0707	BAW56	5322 130 30691
V 0708	BAW56	5322 130 30691
V 0721	BCW33	5322 130 44337
V 0730	BF550	4822 130 42131
V 0731	BCW30	5322 130 44335
V 0732	BF550	4822 130 42131
V 0733	BF550	4822 130 42131
V 0734	BCW33	5322 130 44337

POSNR	DESCRIPTION	ORDERING CODE
V 0736	BCW33	5322 130 44337
V 0760	BF550	4822 130 42131
V 0761	BCW30	5322 130 44335
V 0762	BF550	4822 130 42131
V 0763	BF550	4822 130 42131
V 0764	BCW33	5322 130 44337
V 0766	BCW33	5322 130 44337
V 0814	BC337	4822 130 40855
V 0827	BC337	4822 130 40855
V 0844	BC337	4822 130 40855
V 0857	BC337	4822 130 40855
V 0862	BC558B	4822 130 44197
V 0863	BZV46-C1V5	5322 130 34865
V 0864	BZV46-C2V0	4822 130 31248
V 0865	BAW62	4822 130 30613
V 0866	BAW62	4822 130 30613
V 0867	BFQ22S	5322 130 42031
V 0871	BF370	4822 130 42589
V 0872	BZX79-C3V0	4822 130 31881
V 0903	BFQ13	5322 130 44404
V 0908	BFQ13	5322 130 44404
V 0913	BFQ13	5322 130 44404
V 0918	BFQ13	5322 130 44404
V 0981	BZX79-C27	4822 130 34379
V 0992	BZV46-C2V0	4822 130 31248
V 1000	BA483	4822 130 32656
V 1001	BF324	4822 130 41448
V 1002	BF324	4822 130 41448
V 1003	BF410C	4822 130 41482
V 1004	BA483	4822 130 32656
V 1005	BA483	4822 130 32656
V 1006	BF410C	4822 130 41482
V 1007	BA483	4822 130 32656
V 1008	BA483	4822 130 32656
V 1009	BA483	4822 130 32656
V 1010	BZX79-C8V2	4822 130 34382
V 1011	BF410C	4822 130 41482
V 1012	BA483	4822 130 32656
V 1013	BA483	4822 130 32656
V 1014	BA483	4822 130 32656
V 1016	BF410C	4822 130 41482
V 1017	BA483	4822 130 32656
V 1019	BF199	4822 130 44154
V 1021	BF199	4822 130 44154
V 1022	BF324	4822 130 41448
V 1023	BZX79-C5V6	4822 130 34173
V 1024	BF370	4822 130 42589
V 1061	BAW62	4822 130 30613
V 1062	BAW62	4822 130 30613
V 1063	BF324	4822 130 41448
V 1064	BF324	4822 130 41448
V 1100	BA483	4822 130 32656
V 1101	BF324	4822 130 41448
V 1102	BF324	4822 130 41448
V 1103	BF410C	4822 130 41482
V 1104	BA483	4822 130 32656
V 1105	BA483	4822 130 32656
V 1106	BF410C	4822 130 41482
V 1107	BA483	4822 130 32656
V 1108	BA483	4822 130 32656

POSNR	DESCRIPTION	ORDERING CODE
V 1109	BA483	4822 130 32656
V 1110	BZX79-C8V2	4822 130 34382
V 1111	BF410C	4822 130 41482
V 1112	BA483	4822 130 32656
V 1113	BA483	4822 130 32656
V 1114	BA483	4822 130 32656
V 1116	BF410C	4822 130 41482
V 1117	BA483	4822 130 32656
V 1119	BF199	4822 130 44154
V 1121	BF199	4822 130 44154
V 1122	BF324	4822 130 41448
V 1123	BZX79-C5V6	4822 130 34173
V 1124	BF370	4822 130 42589
V 1161	BAW62	4822 130 30613
V 1162	BAW62	4822 130 30613
V 1163	BF324	4822 130 41448
V 1164	BF324	4822 130 41448
V 1200	BZV46-C1V5	5322 130 34865
V 1201	BF410C	4822 130 41482
V 1202	BA483	4822 130 32656
V 1203	BA483	4822 130 32656
V 1204	BF199	4822 130 44154
V 1205	BZX79-C8V2	4822 130 34382
V 1206	BF199	4822 130 44154
V 1207	BF324	4822 130 41448
V 1208	BZX79-C5V6	4822 130 34173
V 1209	BF199	4822 130 44154
V 1211	BF324	4822 130 41448
V 1212	BF324	4822 130 41448
V 1213	BF324	4822 130 41448
V 2001	BZV46-C2V0	4822 130 31248
V 2002	BZV46-C2V0	4822 130 31248
V 2003	BZX79-C3V0	4822 130 31881
V 2101	BZV46-C2V0	4822 130 31248
V 2102	BZV46-C2V0	4822 130 31248
V 2103	BZX79-C3V0	4822 130 31881
V 2305	BZV46-C1V5	5322 130 34865
V 2306	BZV46-C1V5	5322 130 34865
V 2308	BZX79-C4V3	4822 130 31554
V 2309	BZX79-C4V3	4822 130 31554
V 2310	BC558B	4822 130 44197
V 2311	BC558B	4822 130 44197
V 2313	BAW62	4822 130 30613
V 2314	BAW62	4822 130 30613
V 2314	BC558B	4822 130 44197
V 2316	BF324	4822 130 41448
V 2317	BC548C	4822 130 44196
V 2318	BF324	4822 130 41448
V 2319	BF324	4822 130 41448
V 2321	BF324	4822 130 41448
V 2325	BAW62	4822 130 30613
V 2326	BAW62	4822 130 30613
V 2327	BC558B	4822 130 44197
V 2328	BZX79-C5V1	4822 130 34233
V 2329	BZX79-C9V1	4822 130 30862
V 2331	BC558B	4822 130 44197
V 2332	BC558B	4822 130 44197
V 2333	BC558B	4822 130 44197
V 2334	BC558B	4822 130 44197
V 2341	BF199	4822 130 44154

POSNR	DESCRIPTION	ORDERING CODE
V 2342	BF199	4822 130 44154
V 2347	BF199	4822 130 44154
V 2349	BF199	4822 130 44154
V 2356	BC548C	4822 130 44196
V 2357	BC548C	4822 130 44196
V 2366	BAW62	4822 130 30613
V 2367	BAW62	4822 130 30613
V 2368	BAW62	4822 130 30613
V 2369	BAW62	4822 130 30613
V 2370	BC548C	4822 130 44196
V 2371	BC558B	4822 130 44197
V 2601	BZX79-C6V2	4822 130 34167
V 2602	BC548C	4822 130 44196
V 2611	BF199	4822 130 44154
V 2612	BF199	4822 130 44154
V 2615	BC548C	4822 130 44196
V 2616	BZV46-C1V5	5322 130 34865
V 3001	BF324	4822 130 41448
V 3002	BF324	4822 130 41448
V 3003	BC558B	4822 130 44197
V 3004	BF324	4822 130 41448
V 3006	BF324	4822 130 41448
V 3007	BC548C	4822 130 44196
V 3008	BF370	4822 130 42589
V 3009	BF370	4822 130 42589
V 3011	2N3866-01	5322 130 41799
V 3012	2N3866-01	5322 130 41799
V 3013	BZX79-C27	4822 130 34379
V 3014	BZX79-C27	4822 130 34379
V 3101	BF324	4822 130 41448
V 3102	BF324	4822 130 41448
V 3103	BF324	4822 130 41448
V 3104	BC558B	4822 130 44197
V 3106	BF324	4822 130 41448
V 3108	2N5401	5322 130 42534
V 3109	BF370	4822 130 42589
V 3111	BF370	4822 130 42589
V 3112	2N5551	5322 130 44491
V 3113	BZX79-B5V6	4822 130 34173
V 3114	2N5551	5322 130 44491
V 3116	2N5401	5322 130 42534
V 3200	BF370	4822 130 42589
V 3201	BF370	4822 130 42589
V 3202	2N5401	5322 130 42534
V 3203	2N5551	5322 130 44491
V 3204	BF423	4822 130 41646
V 3205	BZX79-B5V6	4822 130 34173
V 3206	BAW62	4822 130 30613
V 3207	BC548C	4822 130 44196
V 3208	BF423	4822 130 41646
V 3209	BAW62	4822 130 30613
V 3211	BAW62	4822 130 30613
V 3212	BZX79-C68	4822 130 30864
V 3213	BC548C	4822 130 44196
V 3214	BAW62	4822 130 30613
V 3215	BAW62	4822 130 30613
V 3216	BZX79-C9V1	4822 130 30862
V 3217	BAW62	4822 130 30613
V 3251	BF423	4822 130 41646
V 3252	BZX79-C6V2	4822 130 34167

POSNR	DESCRIPTION	ORDERING CODE
V 3253	BF423	4822 130 41646
V 3254	BF423	4822 130 41646
V 3256	BF423	4822 130 41646
V 3301	BZX79-C6V2	4822 130 34167
V 4001	BF199	4822 130 44154
V 4002	BF199	4822 130 44154
V 4003	BF199	4822 130 44154
V 4004	BC548C	4822 130 44196
V 4005	BC558B	4822 130 44197
V 4006	BF199	4822 130 44154
V 4007	BAW62	4822 130 30613
V 4008	BAW62	4822 130 30613
V 4009	BC548C	4822 130 44196
V 4011	BZX79-C5V1	4822 130 34233
V 4012	BC548C	4822 130 44196
V 4013	BZX79-C3V6	5322 130 34834
V 4014	BAW62	4822 130 30613
V 4016	BC548C	4822 130 44196
V 4017	BC548C	4822 130 44196
V 4018	BC548C	4822 130 44196
V 4019	BZX79-C3V6	5322 130 34834
V 4020	BAW62	4822 130 30613
V 4101	BC558B	4822 130 44197
V 4102	BAW62	4822 130 30613
V 4103	BAW62	4822 130 30613
V 4104	BC548C	4822 130 44196
V 4106	BAW62	4822 130 30613
V 4107	BC327	4822 130 40854
V 4108	BC548C	4822 130 44196
V 4109	BC558B	4822 130 44197
V 4110	BAW62	4822 130 30613
V 4111	BC558B	4822 130 44197
V 4112	BSX20	4822 130 41705
V 4113	BAW62	4822 130 30613
V 4114	BSX20	4822 130 41705
V 4115	BZX79-C6V2	4822 130 34167
V 4116	BAW62	4822 130 30613
V 4117	BC548C	4822 130 44196
V 4118	BC548C	4822 130 44196
V 4119	BF199	4822 130 44154
V 4120	BAT85	4822 130 31983
V 4121	BC548C	4822 130 44196
V 4122	BAW62	4822 130 30613
V 4123	BAW62	4822 130 30613
V 4300	BZX79-C6V2	4822 130 34167
V 4301	BC558B	4822 130 44197
V 4302	BC548C	4822 130 44196
V 4304	BC558B	4822 130 44197
V 4305	BZX79-C9V1	4822 130 30862
V 4306	BAW62	4822 130 30613
V 4307	BC548C	4822 130 44196
V 4308	BZV46-C1V5	5322 130 34865
V 4309	BC548C	4822 130 44196
V 4321	BAW62	4822 130 30613
V 4322	BC548C	4822 130 44196
V 4323	BC548C	4822 130 44196
V 4500	BAW62	4822 130 30613
V 4501	BC548C	4822 130 44196
V 4502	BC548C	4822 130 44196
V 4503	BC548C	4822 130 44196

POSNR	DESCRIPTION	ORDERING CODE
V 4504	BC548C	4822 130 44196
V 4505	BAW62	4822 130 30613
V 4506	BC548C	4822 130 44196
V 4510	BC558B	4822 130 44197
V 4511	BC558B	4822 130 44197
V 4512	BC558B	4822 130 44197
V 4513	BC558B	4822 130 44197
V 4514	BC558B	4822 130 44197
V 4516	BAW62	4822 130 30613
V 4517	BAW62	4822 130 30613
V 4518	BAW62	4822 130 30613
V 4519	BAW62	4822 130 30613
V 4521	BAW62	4822 130 30613
V 4522	BAW62	4822 130 30613
V 4523	BC548C	4822 130 44196
V 4601	BAW62	4822 130 30613
V 4602	BAW62	4822 130 30613
V 4611	BF199	4822 130 44154
V 4612	BF199	4822 130 44154
V 4613	BAW62	4822 130 30613
V 4614	BAW62	4822 130 30613
V 4616	BC548C	4822 130 44196
V 4617	BAW62	4822 130 30613
V 4618	BAW62	4822 130 30613
V 4702	BF324	4822 130 41448
V 4703	BAW62	4822 130 30613
V 4704	BAW62	4822 130 30613
V 4706	BF324	4822 130 41448
V 4707	BC558B	4822 130 44197
V 4708	BF324	4822 130 41448
V 4709	BC558B	4822 130 44197
V 4710	BC548C	4822 130 44196
V 4711	BAW62	4822 130 30613
V 4712	BF324	4822 130 41448
V 4713	BAW62	4822 130 30613
V 4801	BZV46-C1V5	5322 130 34865
V 4806	BAX12	5322 130 33756
V 4807	BAX12	5322 130 33756
V 4808	BAX12	5322 130 33756
V 4809	BAX12	5322 130 33756
V 6001	BYV96E	5322 130 34979
V 6002	BYV96E	5322 130 34979
V 6003	BYV96E	5322 130 34979
V 6004	BYV96E	5322 130 34979
V 6007	BAX12	5322 130 33756
V 6008	BAX12	5322 130 33756
V 6009	BC337	4822 130 40855
V 6011	BAX12	5322 130 33756
V 6012	BZX79-C15	4822 130 34281
V 6013	BRY39	5322 130 40482
V 6014	BUZ80	5322 130 43926
V 6016	BYV27-150	4822 130 31628
V 6017	BYV27-150	4822 130 31628
V 6018	BUM12A	5322 130 42114
V 6019	BYV26C	4822 130 32343
V 6021	BZX79-C3V0	4822 130 31881
V 6031	BZX79-C3V6	5322 130 34834
V 6101	BYV43-45	5322 130 33656
V 6102	BYV28-150	5322 130 32043
V 6103	BYV27-150	4822 130 31628

POSNR	DESCRIPTION	ORDERING	CODE
V 6104	BYV28-150	5322 130	32043
V 6106	BYV27-150	4822 130	31628
V 6107	BYV95C	4822 130	41487
V 6108	BYV27-150	4822 130	31628
V 6109	BYV95C	4822 130	41487
V 6110	BYV27-150	4822 130	31628
V 6112	BT151-500R	5322 130	24081
V 6113	BYV95C	4822 130	41487
V 6115	BYV27-150	4822 130	31628
V 6116	BYV27-150	4822 130	31628
V 6131	BAX12	5322 130	33756
V 6132	BAW62	4822 130	30613
V 6133	BZX79-C6V2	4822 130	34167
V 6134	BC337	4822 130	40855
V 6136	BF423	4822 130	41646
V 6137	BF423	4822 130	41646
V 6138	BZX79-C5V6	4822 130	34173
V 6201	BC327	4822 130	40854
V 6202	BZX79-C15	4822 130	34281
V 6203	BAV21	4822 130	30842
V 6204	BAV21	4822 130	30842
V 6206	BAV21	4822 130	30842
V 6207	BYV27-150	4822 130	31628
V 6208	BUV26A	5322 130	42722
V 6209	BY509	4822 130	41485
V 6211	BC337	4822 130	40855
V 6301	BC548C	4822 130	44196
V 6302	BC558B	4822 130	44197
V 6303	BC337	4822 130	40855
V 6304	BC327	4822 130	40854
V 6311	BC337	4822 130	40855
V 6312	BDX78	5322 130	44278
V 6401	BZV11	5322 130	34294
V 6402	BAX12	5322 130	33756
V 6403	BC337	4822 130	40855

25.4.4 Integrated circuits

D 0201	74F138PC	5322 209	82366
D 0202	PC74HCT138P	5322 209	11111
D 0203	PC74HCT132P	4822 209	83044
D 0204	PC74HCT390P	5322 209	11483
D 0206	PC74HCT390P	5322 209	11483
D 0207	PC74HCT4040P	5322 209	72465
D 0208	PC74HCT10P	5322 209	11107
D 0209	74F11PC	5322 209	81536
D 0211	74F02PC	5322 209	81535
D 0212	74F04PC	5322 209	81577
D 0213	PC74HCT32P	5322 209	11266
D 0214	MC68008P8	5322 209	11593
D 0216	D27010-250V05	5322 209	51425
D 0218	P8254	5322 209	82406
D 0219	PC74HCT259P	5322 209	11115
D 0221	PC74HCT244P	5322 209	11116
D 0222	PC74HCT259P	5322 209	11115
D 0223	PC74HCT03P	5322 209	11316
D 0301	PC74HCT244P	5322 209	11116
D 0302	PC74HCT244P	5322 209	11116
D 0303	PC74HCT245P	5322 209	11117

POSNR	DESCRIPTION	ORDERING	CODE
D 0304	HM62256LP-12	5322 209	72129
D 0306	OQ 0209	5322 209	11603
D 0307	PC74HCT86P	5322 209	11473
D 0309	OQ 0209	5322 209	11603
D 0311	PC74HCT174P	5322 209	11478
D 0312	PC74HCT174P	5322 209	11478
D 0313	PC74HCT259P	5322 209	11115
D 0314	CB1536RC	5322 209	72515
D 0316	PC74HCT138P	5322 209	11111
D 0318	HEF4066BP	5322 209	10357
D 0401	PC74HCT04P	4822 209	82341
D 0402	PC74HCT74P	5322 209	11109
D 0403	PC74HCT74P	5322 209	11109
D 0404	PC74HCT74P	5322 209	11109
D 0406	PC74HCT00P	5322 209	11105
D 0407	PC74HCT08P	5322 209	11265
D 0408	PC74HCT10P	5322 209	11107
D 0409	PC74HCT163P	5322 209	11267
D 0411	PAL16R8A-2CNMMI	5322 209	51424
D 0413	PC74HCT574P	5322 209	11489
D 0416	PC74HCT08P	5322 209	11265
D 0503	PC74HCT4053P	4822 209	71584
D 0504	HEF4104BP	4822 209	10273
D 0505	HEF4066BP	5322 209	10357
D 0512	PC74HCT4053P	4822 209	71584
D 0601	PLIFIER	5322 209	80991
D 0601	OQ 0020	5322 209	80991
D 0602	PLIFIER	5322 209	80991
D 0602	OQ 0020	5322 209	80991
D 0603	PC74HCT4053P	4822 209	71584
D 0801	OQ 0210	5322 209	11604
D 0876	74F08PC	5322 209	81574
D 0887	PC74HCT160P	5322 209	72516
D 0901	PC74HCT4052P	4822 209	71583
D 0903	HEF4066BP	5322 209	10357
D 0904	HEF4066BP	5322 209	10357
D 0911	PC74HCT4052P	4822 209	71583
D 0914	HEF4066BP	5322 209	10357
D 0921	HEF4104BP	4822 209	10273
D 0922	PC74HCT08P	5322 209	11265
D 1001	TEA1017/N8	5322 209	70023
D 1061	OQ 0203	5322 209	70393
D 1101	TEA1017/N8	5322 209	70023
D 1161	OQ 0203	5322 209	70393
D 2002	OQ 0205	5322 209	70392
D 2102	OQ 0205	5322 209	70392
D 2203	ARRAY OQ 0127	5322 209	80992
D 2301	OQ 0205	5322 209	70392
D 2302	PLIFIER	5322 209	80991
D 2303	PLIFIER	5322 209	80991
D 2304	OQ 0128	5322 209	82925
D 2601	HEF4053BP	5322 209	10576
D 2602	TEA1017/N8	5322 209	70023
D 2603	OQ 0200	5322 209	82924
D 4001	TEA1017/N8	5322 209	70023
D 4002	TEA1017/N8	5322 209	70023
D 4101	HEF4053BP	5322 209	10576
D 4102	HEF4051BP	4822 209	10262
D 4103	OQ 0201	5322 209	70391
D 6201		5322 321	21597

POSNR	DESCRIPTION	ORDERING CODE
D 6501	HEF4066BP	5322 209 10357
D 7001	PCF8574P	5322 209 10883
D 7002	PCF8574P	5322 209 10883
D 7003	PCF8574P	5322 209 10883
D 8001	PCF8577T	5322 209 70024
D 8002	PCF8577T	5322 209 70024
D 8003	PCF8577T	5322 209 70024
N 0201	LM393N	4822 209 80797
N 0501	LF356N	5322 209 86422
N 0502	LF356N	5322 209 86422
N 0503	TL082CP	5322 209 86064
N 0504	LM358N	4822 209 70672
N 0506	DAC-08EP	5322 209 11253
N 0507	DAC10FX	5322 209 71665
N 0511	LF356N	5322 209 86422
N 0512	LM358N	4822 209 70672
N 0513	TL082CP	5322 209 86064
N 0601	LM324N	4822 209 80587
N 0701	LM358D	5322 209 82941
N 0901	TL082CP	5322 209 86064
N 0903	TL082CP	5322 209 86064
N 0904	TL082CP	5322 209 86064
N 0905	TL082CP	5322 209 86064
N 0913	TL082CP	5322 209 86064
N 0914	TL082CP	5322 209 86064
N 0921	TL082CP	5322 209 86064
N 0922	TL082CP	5322 209 86064
N 0927	TL082CP	5322 209 86064
N 0947	TL082CP	5322 209 86064
N 0987	LM337T	5322 209 81236
N 0988	LM337T	5322 209 81236
N 1001	UA714TC	5322 209 70275
N 1101	UA714TC	5322 209 70275
N 1201	LF356N	5322 209 86422
N 4101	LM324N	4822 209 80587
N 4102	UA714TC	5322 209 70275
N 4103	TL080CP	5322 209 72464
N 4601	TCA240	4822 209 80629
N 6001	LM358N	4822 209 70672
N 6002	LM358N	4822 209 70672
N 7001	LM339AN	4822 209 80631
N 7002	LM324N	4822 209 80587
N 7003	LM324N	4822 209 80587

25.4.5 Coils

L 0201	15UH	5322 157 52539
L 0301	82UH	4822 158 10563
L 0401	82UH	4822 158 10563
L 0501	82UH	4822 158 10563
L 0502	82UH	4822 158 10563
L 0503	82UH	4822 158 10563
L 0504	82UH	4822 158 10563
L 0881	82UH	4822 158 10563
L 0882	82UH	4822 158 10563
L 0883	82UH	4822 158 10563
L 0884	82UH	4822 158 10563
L 0886	82UH	4822 158 10563

POSNR	DESCRIPTION	ORDERING CODE
L 0887	82UH	4822 158 10563
L 1001	0.22UH 10%	5322 157 53284
L 1101	0.22UH 10%	5322 157 53284
L 1401	1500UH	4822 156 21293
L 1402	1500UH	4822 156 21293
L 1403	1500UH	4822 156 21293
L 1421	1500UH	4822 156 21293
L 1422	1500UH	4822 156 21293
L 1423	1500UH	4822 156 21293
L 3001	2.2UH	4822 157 51757
L 3002	2.2UH	4822 157 51757
L 4101	2.2UH	4822 157 51757
L 4801	0.01H	5322 157 53019
L 6000	100UH	5322 157 52363
L 6001	100UH	5322 157 52363
L 6002	100UH	5322 157 52363
L 6003	5.6UH	4822 157 52259
L 6004	1000UH	5322 157 52718
L 6006	1000UH	5322 157 52718
L 6101	10UH	5322 157 52513
L 6102	27UH	4822 158 10551
L 6103	100UH	5322 157 52363
L 6104	100UH	5322 157 52363
L 6106	82UH	4822 158 10563
L 6107	82UH	4822 158 10563
L 6108	82UH	4822 158 10563
L 6109	82UH	4822 158 10563
L 6111	15UH	5322 157 52539
L 6201	82UH	4822 158 10563
L 6501	82UH	4822 158 10563
L 7101	15UH	5322 157 52539

25.4.6 Miscellaneous

E 0001	T13/4 28V 80MA	5322 134 40534
E 8001	60MA MGG9012	5322 134 40849
G 0201	LOC016.0	5322 216 61456
G 0801	X-TAL 100 MHZ	5322 242 71737
H 6001	CNX35	5322 130 90137
K 1001	EED-RELAIS 12V REED CONTACT	5322 280 20125 5322 280 24126
K 1002	EED-RELAIS 12V REED CONTACT	5322 280 20125 5322 280 24126
K 1003	EED-RELAIS 12V REED CONTACT	5322 280 20125 5322 280 24126
K 1004	EED-RELAIS 12V REED CONTACT	5322 280 20125 5322 280 24126
K 1006	EED-RELAIS 12V REED CONTACT	5322 280 20125 5322 280 24126
K 1007	EED-RELAIS 12V REED CONTACT	5322 280 20125 5322 280 24126
K 1008	EED-RELAIS 12V REED CONTACT	5322 280 20125 5322 280 24126
K 1101	EED-RELAIS 12V REED CONTACT	5322 280 20125 5322 280 24126
K 1102	EED-RELAIS 12V REED CONTACT	5322 280 20125 5322 280 24126

POSNR	DESCRIPTION	ORDERING CODE
K 1103	EED-RELAIS 12V REED CONTACT	5322 280 20125 5322 280 24126
K 1104	EED-RELAIS 12V REED CONTACT	5322 280 20125 5322 280 24126
K 1106	EED-RELAIS 12V REED CONTACT	5322 280 20125 5322 280 24126
K 1107	EED-RELAIS 12V REED CONTACT	5322 280 20125 5322 280 24126
K 1108	EED-RELAIS 12V REED CONTACT	5322 280 20125 5322 280 24126
K 1201	EED-RELAIS 12V REED CONTACT	5322 280 20125 5322 280 24126
K 4101	EED-RELAIS 12V	5322 280 20125
S 6001		5322 276 11859
S 7001		5322 277 10878
S 7003		5322 276 11857
S 7004		5322 276 11856
S 7005		5322 276 11856
S 7006		5322 276 11856
S 7007		5322 276 11856
S 7008		5322 276 11856
S 7009		5322 277 10878
S 7011		5322 276 11856
S 7012		5322 276 11856
S 7013		5322 276 11856
S 7014		5322 277 10878
S 7016		5322 276 11856
S 7017		5322 276 11856
S 7018		5322 276 11856
S 7019		5322 276 11856
S 7020		5322 276 11856
S 7021		5322 276 11856
S 7022		5322 277 10878
S 7025		5322 276 11856
S 7026		5322 276 11856
S 7027		5322 277 10878
S 7029		5322 276 11856
S 7030		5322 276 11856
S 7031		5322 276 11856
S 7032		5322 276 11856
S 7033		5322 276 11856
S 7034		5322 276 11856
S 7035		5322 276 11856
T6001	TRANSFORMER	5322 146 30591
T6201	TRANSFORMER	5322 146 30592
HS	MULTIPLIER	5322 321 21597